

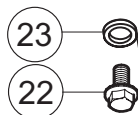
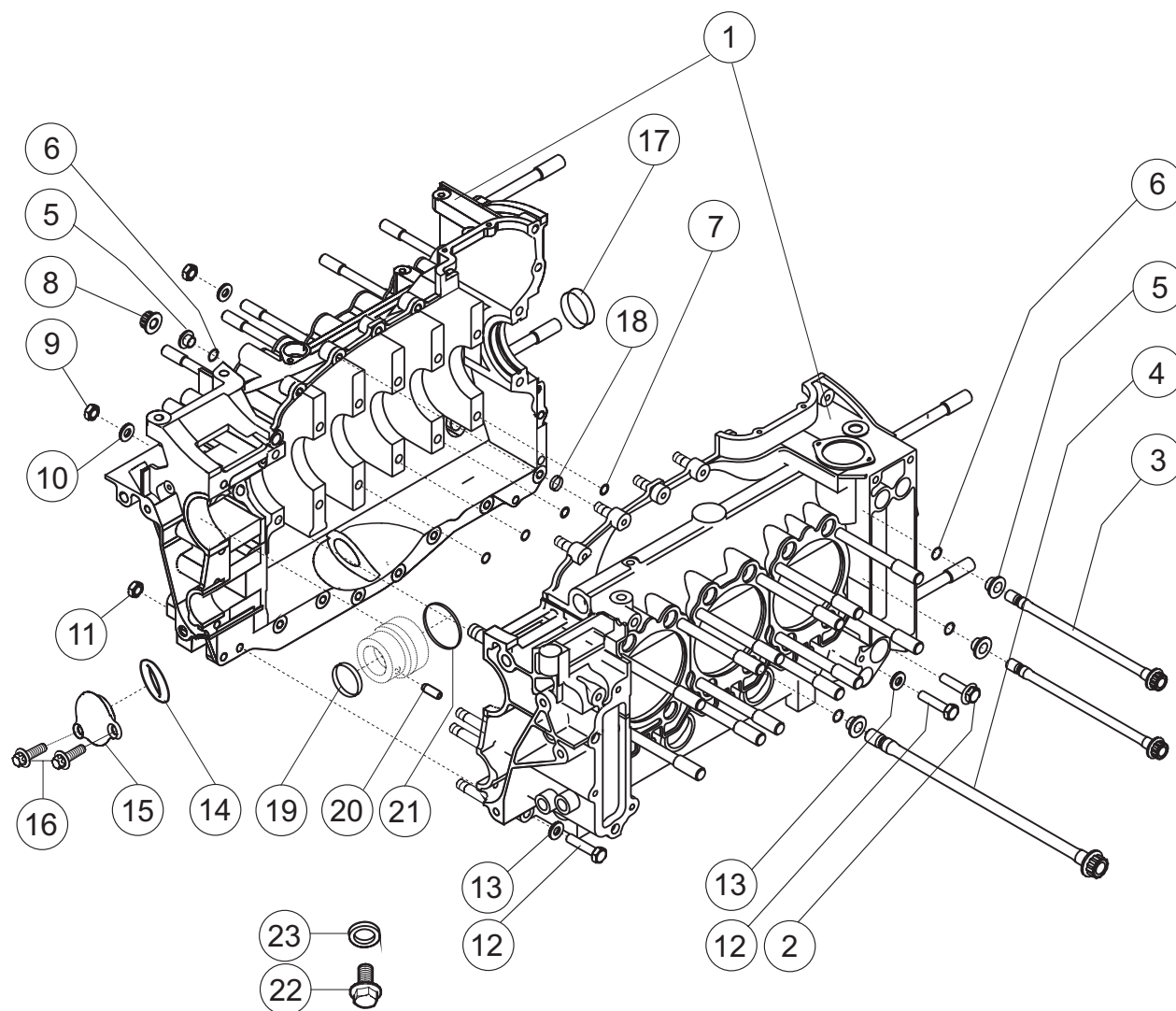
Hauptgruppenübersicht / Main categories**Motor / Engine****Tank und Abgasanlage / Fuel and exhaust system****Getriebe / Transmission****Vorderachse / Front axle****Hinterachse / Rear axle****Räder und Bremsen / Wheels and brakes****Pedalerie und Schaltung / Pedal system and shift linkage****Karosserie / Body****Elektrik / Electrical equipment****Zubehör und Werkzeuge / Accessories and tools**

Motor / Engine

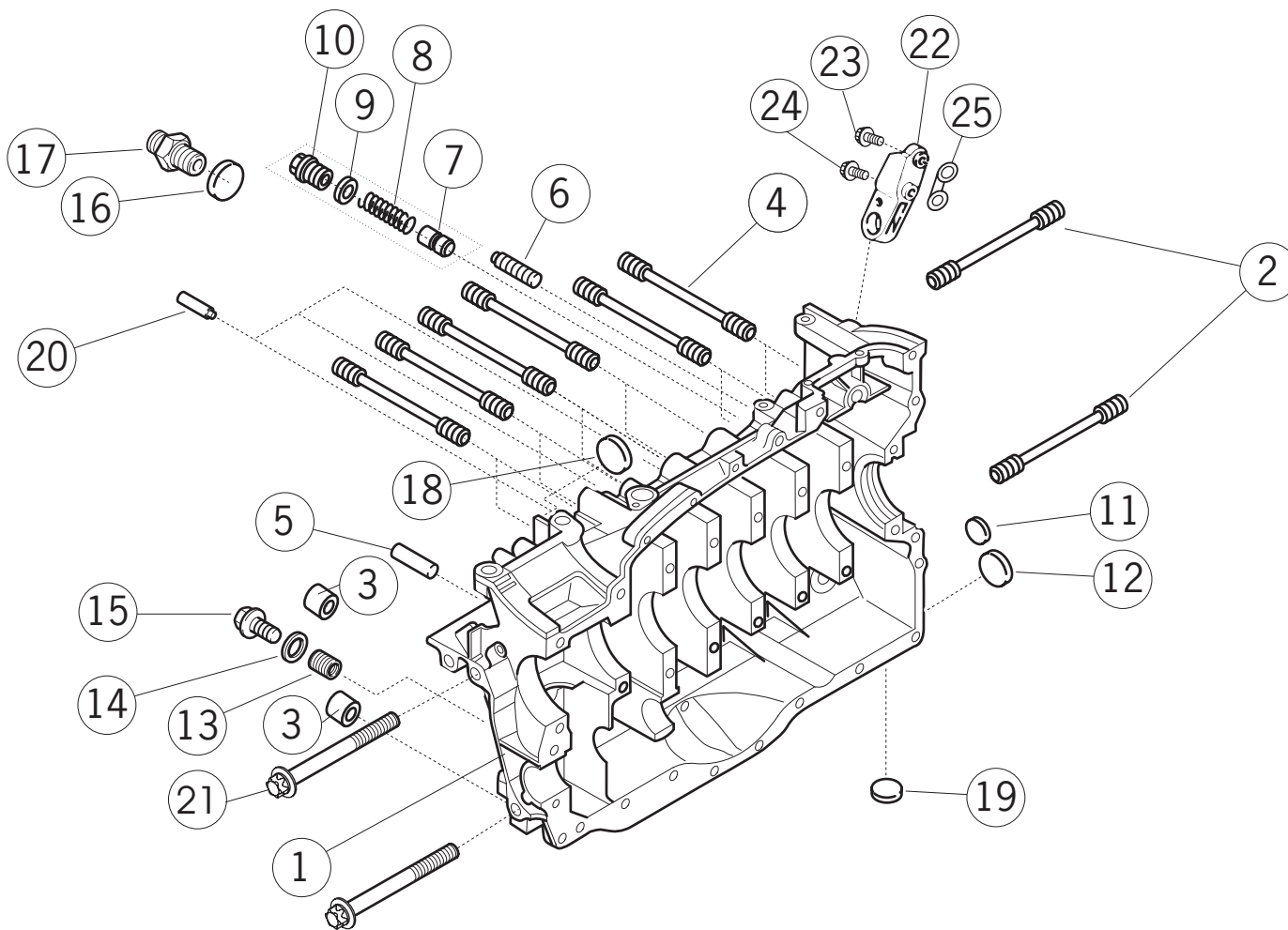
- Ersatzmotor / *engine*
- Kurbelgehäuse / *crank case*
- Kurbelgehäuse links / *crank case left*
- Kurbelgehäuse rechts / *crank case right*
- Kurbelwelle / *crank shaft*
- Zylinder mit Kolben / *cylinder and piston*
- Zylinderkopf / *cylinder head*
- Nockenwellengehäuse / *camshaft housing*
- Steuerketten und Kettenkästen / *timing chain and timing-chain case*
- Ventiltrieb / *valve timing*
- Zwischenwelle / *auxiliary shaft*
- Wärmetauscher + Konsole + Ölfilter / *heat exchanger + console + filter*
- Ölpumpen Nockenwellengehäuse / *oil pumps camshaft-housing*
- Öltank + Öldruckschalter / *oil tank + oil pressure switch*
- Ölpumpe / *oil pump*
- Wasserpumpe / *water pump*
- Wasseraus/ -eintrittsstutzen / *waterinlet/ -outlet neck*
- Wasserkreislauf vorne / *front water-circuit*
- Wasserkreislauf Mitte / *mid water-circuit*
- Wasserkreislauf hinten / *rear water-circuit*
- Wasserschläuche motorseitig / *water hoses at the engine*
- Wasserkühler Mitte / *mid-radiator*
- Wasserkühler seitlich / *side-mounted radiators*
- Wasserausgleichsbehälter / *water expansion tank*
- Kraftstoffgalerie + Ansaugstutzen / *fuel distribution system + intake necks*
- Ansauganlage / *induction system*
- Reinluftschale / *clean-air cup*
- Unterdruck- und Entlüftungsleitungen 1 / *vacuum- and ventilation-lines 1*
- Unterdruck- und Entlüftungsleitungen 2 / *vacuum- and ventilation-lines 2*
- Nebenaggregateträger + Keilrippenriemen / *accessory bracket + V-belt*
- Motorträger / *engine bracket*

Kurbelgehäuse / crank case

Pos.	Bezeichnung / Description	St./Pc	Teile Nr./Part no.
1	Kurbelgehäuse komp. m. Stehbol. <i>crankcase assembly with studs</i>	R 1	996.101.022.96
2	6KT-SHR M8X45 <i>hex screw M8X45</i>	1	999.217.111.02
3	Schraube zu Kurbelgehäuse <i>polyg.socket screw</i>	R 2	964.101.174.70
4	Schraube zu Kurbelgehäuse <i>polyg.socket screw</i>	R 11	959.101.173.70
5	Scheibe <i>spacer disk</i>	R 24	964.101.313.70
6	O-Ring 8X2 <i>rubber o-ring</i>	R 24	999.701.006.41
7	O-Ring 8,3X2,4 <i>rubber o-ring</i>	4	999.701.596.40
8	Vielzahn-Mutter <i>multi-point nut</i>	R 12	959.101.172.70
9	6KT-MU M10 <i>hex.nut M10</i>	1	999.084.096.02
10	Scheibe A 10,5 <i>plain washer</i>	1	900.025.008.02
11	6KT-MU M8 <i>hex.nut M8</i>	R 22	999.084.202.01
12	6KT-SHR A M 8X45 <i>hex.screw M8x45</i>	2	900.074.134.02
13	Scheibe 8,4 <i>plain washer 8,4</i>	2	900.031.001.02
14	O-Ring f. Abschlußdeck. 33,3X2,4 <i>rubber o-ring</i>	R 1	999.707.315.41
15	Abschlußdeckel <i>aluminium end-cover</i>	1	930.105.165.00
16	6RD-SHR M6X12 <i>torx screw M6X12</i>	R 2	900.385.041.01
17	WL-DI-RG für Kurbelwelle <i>radial sealing ring for crankshaft</i>	R 1	997.102.264.91
18	Rechteck-DI-RG 16,3X22X9,5 <i>sealing ring 16,3X22X9,5</i>	1	999.704.172.50
19	WL-DI-RG A30X50X10 <i>radial sealing ring A30X50X10</i>	1	999.113.290.41
20	ZYL-STIFT 5H8X10 <i>cylindrical pin</i>	1	900.012.061.00
21	O-Ring 51X4,5 N <i>rubber o-ring</i>	R 1	999.707.285.41
22	Ablafschraube 20X1,75 <i>drain plug 20X1,75</i>	R 1	944.107.197.01
23	Dichtring 22X27 <i>sealing ring 22X27</i>	R 1	900.123.118.30

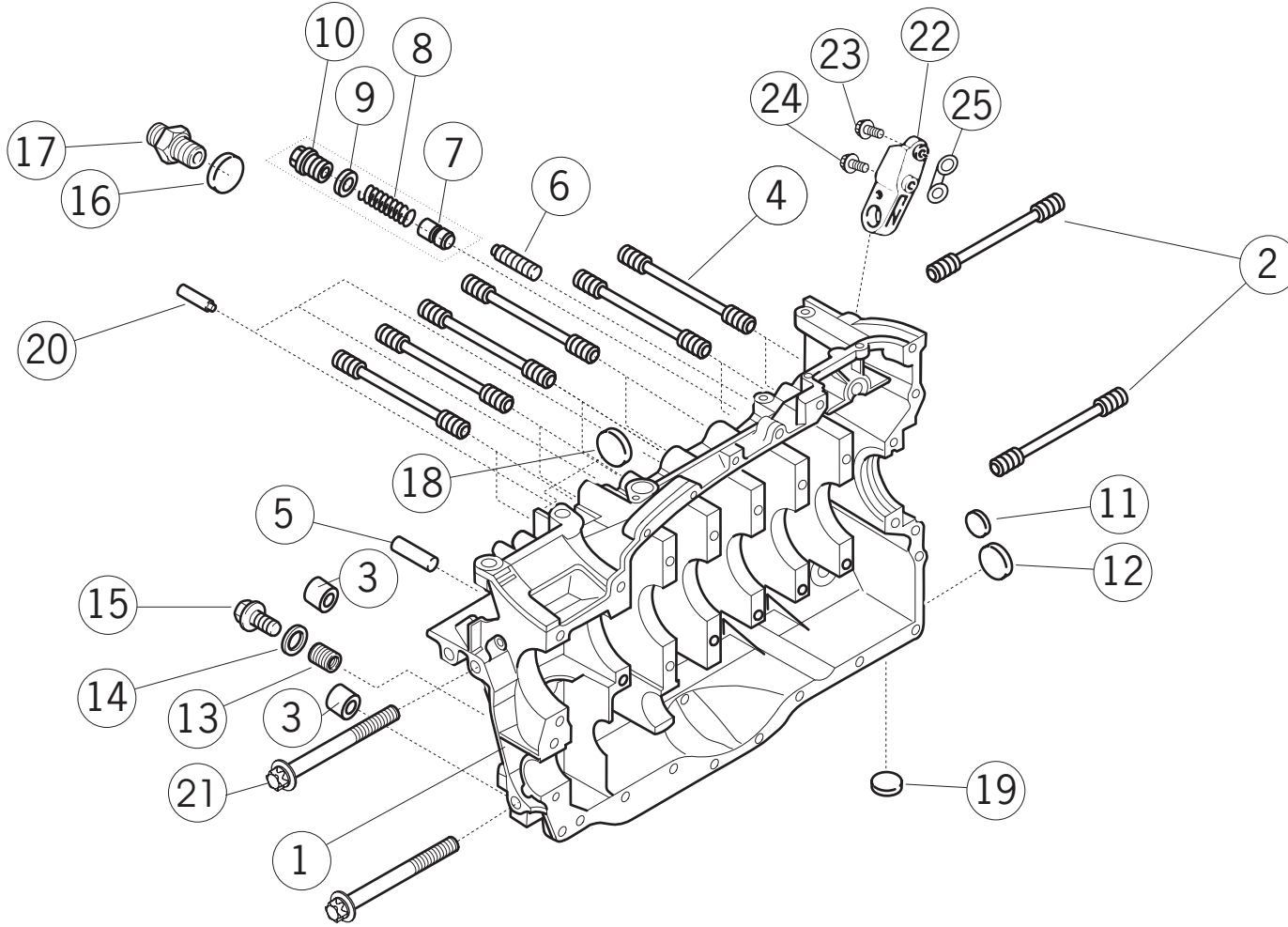


Kurbelgehäuse links / crank case left



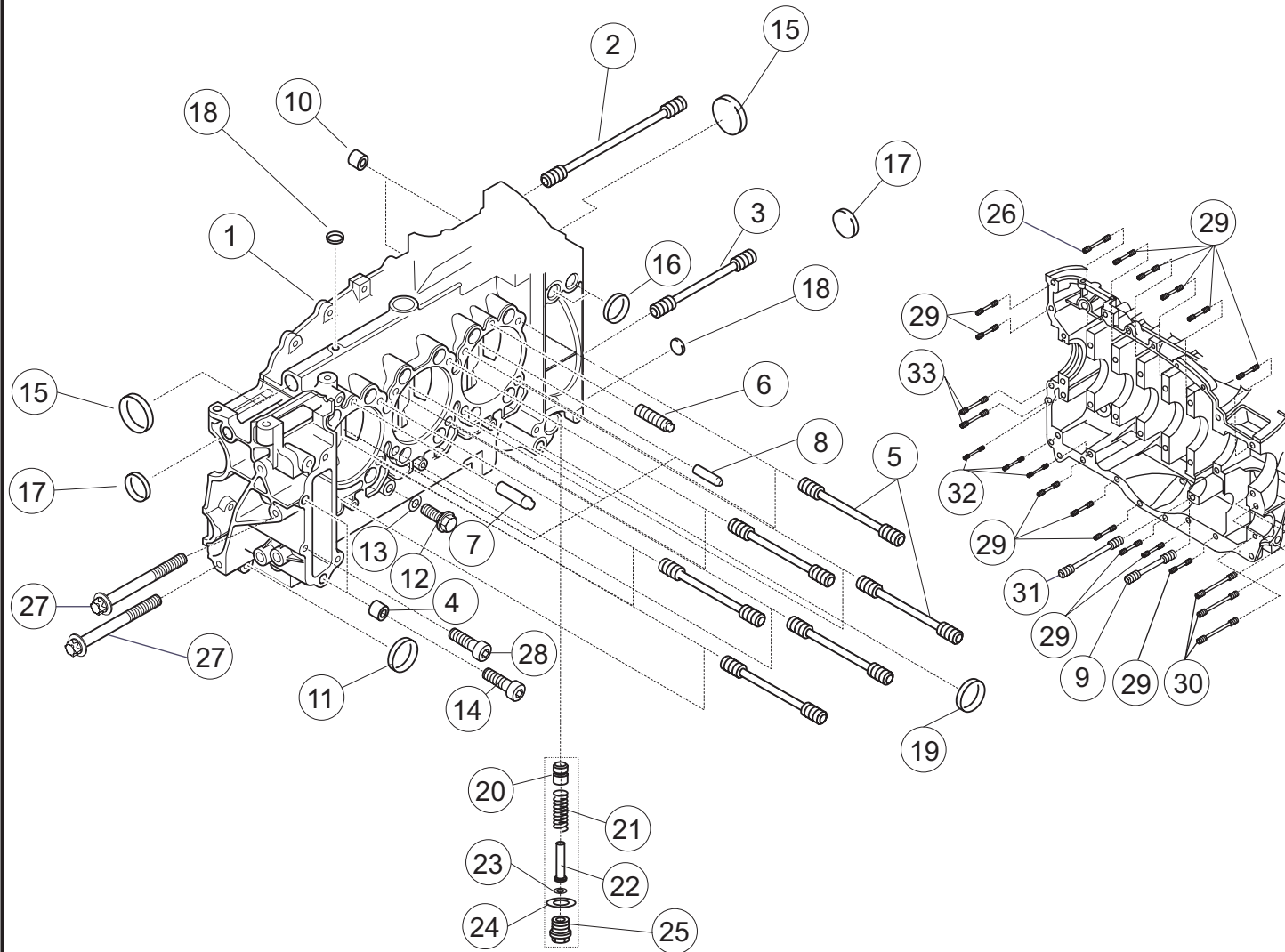
Pos.	Bezeichnung / Description	St./Pc	Teile Nr./Part no.
1	Kurbelgehäuse komplett li+re <i>crankcase assembly left+right</i>	R 1	996.101.022.96
2	STIFT-SHR B M10X105 8.8 <i>stud M10X105 8.8</i>	2	999.062.099.02
3	Paßhülse für Kettengehäuse <i>fitted sleeve for chain case</i>	2	901.101.145.00
4	STIFT-SHR Zylinderkopf <i>special stud</i>	12	996.101.172.70
5	ZYL-STIFT A 8,0X 14 <i>cylindrical pin 8,0X14</i>	1	900.012.046.00
6	ZYL-STIFT A 6,0X14 <i>cylindrical pin 6,0X14</i>	1	900.012.057.00
7	Kolben f.Überdruckventil <i>piston for relief valve</i>	1	911.107.512.00
8	Druckfeder <i>pressure spring</i>	1	901.107.531.01
9	Dichtring A 18X24 <i>sealing ring 18X24</i>	1	900.123.106.30
10	VSHL-SHR A M18X1,5 <i>screw plug</i>	1	999.064.026.02
11	VSHL-STP 7,5X8 <i>plug 7,5X8</i>	1	911.101.186.00
12	VSHL-DECK A13 <i>closure cap</i>	R 1	900.036.047.02
13	GWD-ESAT A M20X1,5 <i>helicoil</i>	1	999.504.127.00
14	Dichtring A22X27 <i>sealing ring 22X27</i>	1	900.123.011.30
15	Verschluß-SHR 20X1,75 <i>screw plug 20X1,75</i>	R 1	944.107.197.02
16	Dichtring A22X27 <i>sealing ring A22X27</i>	1	900.123.118.30
17	Stutzen 18 <i>screw neck 18</i>	1	999.136.044.09
18	VSHL-STP 9,2 <i>plug 9,2</i>	1	999.501.065.30
19	VSHL-DECK A19 <i>closure cap</i>	1	900.036.045.02
20	Z Spritzventil <i>oil splash valve</i>	3	997.101.018.90
21	6RD-SHR M10X70 <i>screw M10X70</i>	R 2	900.385.119.01
22	Sensorhalter I-Geber <i>bracket for sensor induct.pick-up</i>	1	964.101.187.01
23	6RD-SHR M6X25 <i>torx screw M6X25</i>	1	900.385.072.01
24	6RD-SHR M6X35 <i>torx screw M6X35</i>	R 1	900.385.270.01

Kurbelgehäuse links / crank case left



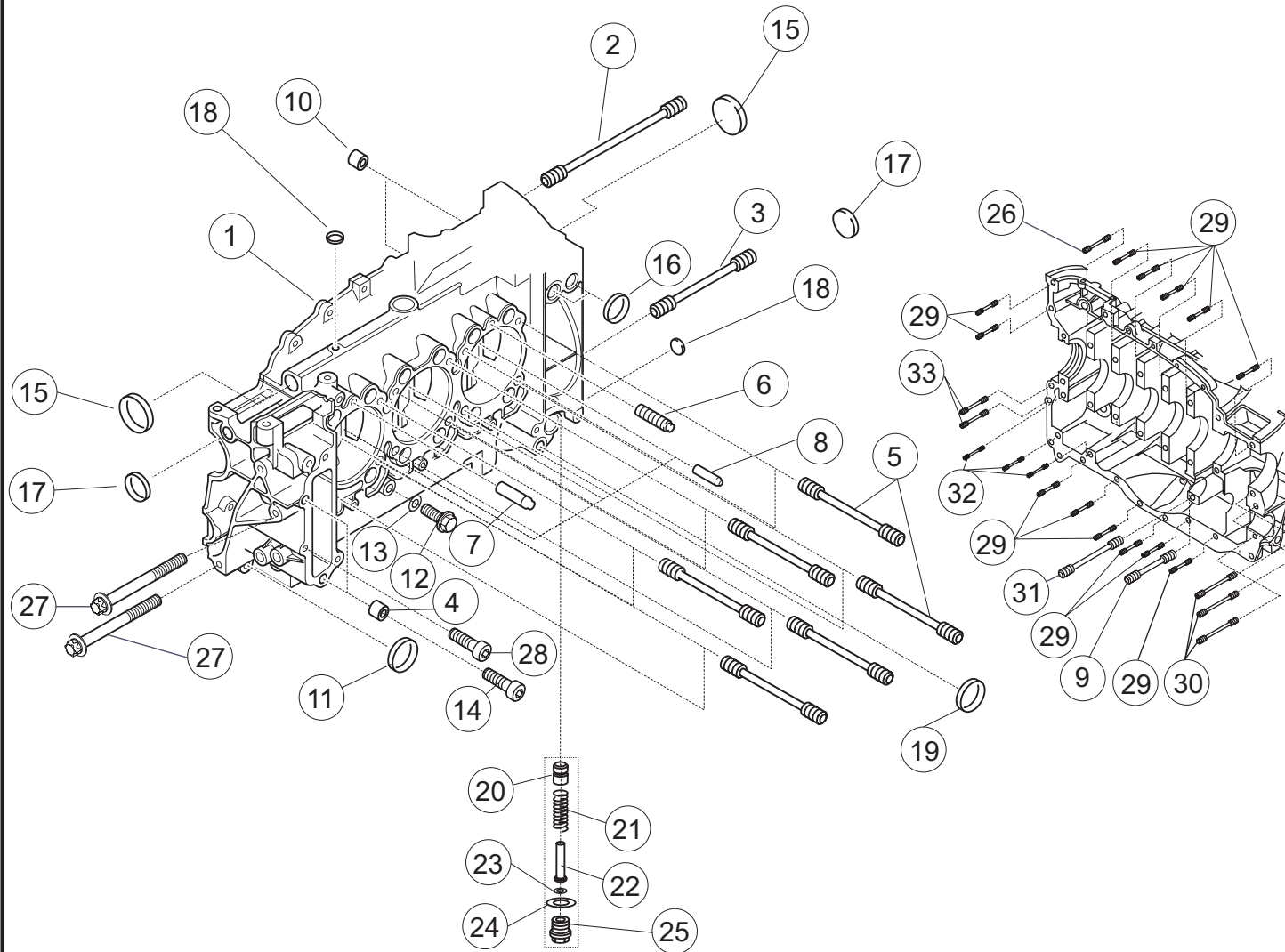
Pos.	Bezeichnung / Description	St./Pc	Teile Nr./Part no.
25	Distanzblech Sensorhalter <i>spacer for sensor induct.pick-up</i>	R 1	996.106.451.9A

Kurbelgehäuse rechts / crankcase right



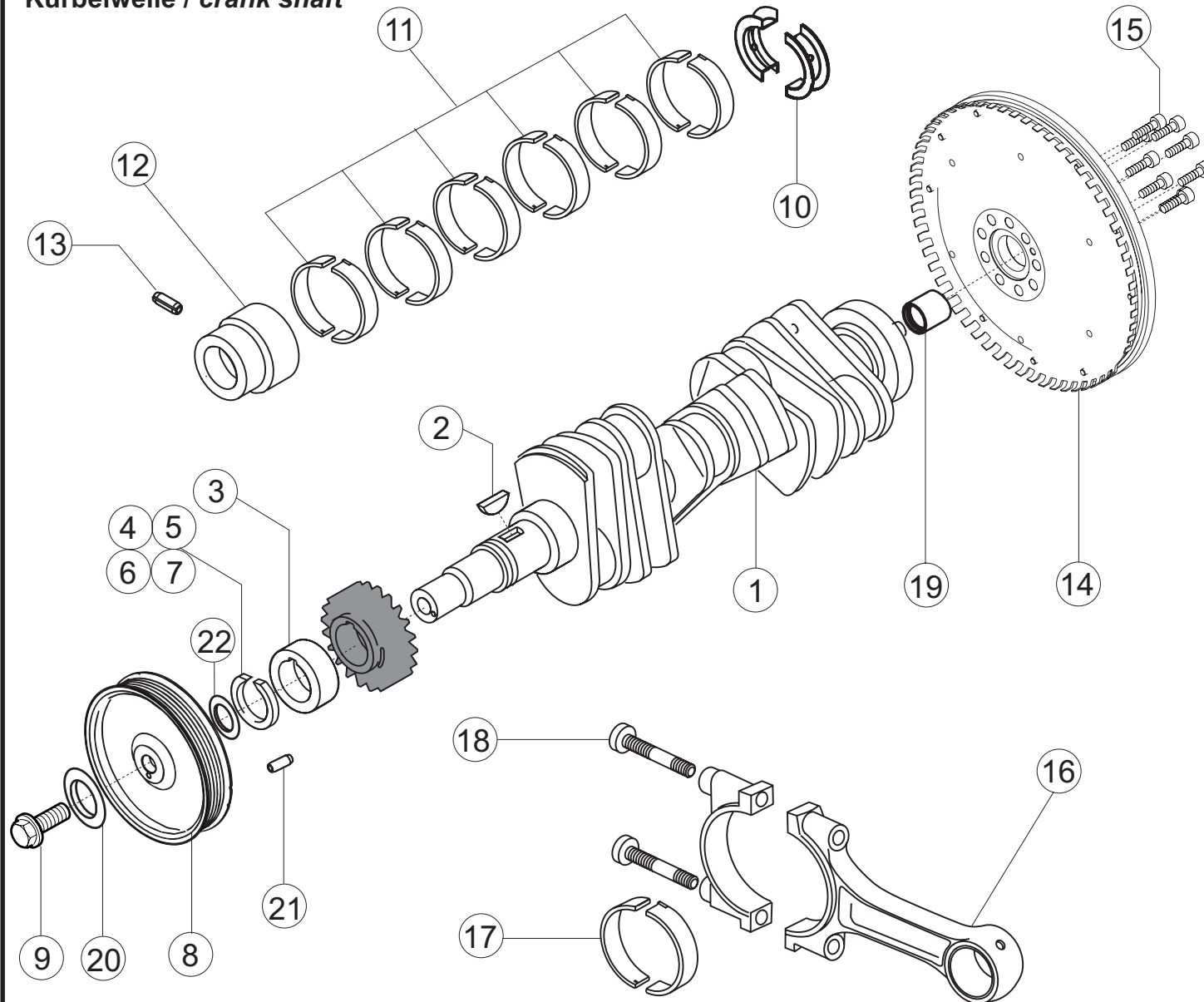
Pos.	Bezeichnung / Description	St./Pc.	Teile Nr./Part no.
1	Kurbelgehäuse komplett li+re <i>crankcase assembly left+right</i>	R 1	996.101.022.96
2	STIFT-SHR B M10X140 8.8 <i>stud M10X140 8.8</i>	1	999.062.225.02
3	STIFT-SHR B M10X105 8.8 <i>stud M10X105 8.8</i>	1	999.062.099.02
4	Paßhülse <i>fitted sleeve</i>	2	901.101.145.00
5	STIFT-SHR Zylinderkopf <i>special stud</i>	12	996.101.172.70
6	ZYL-STIFT A 8,0X14 <i>cylindrical pin 8,0X14</i>	1	900.012.046.00
7	ZYL-STIFT A 6,0X14 <i>cylindrical pin 6,0X14</i>	1	900.012.057.00
8	Z-Spritzventil <i>oil splash valve</i>	R 3	997.101.018.90
9	STIFT-SHR Lagerstuhl 7 <i>special stud main bearing 7</i>	1	996.101.175.70
10	Paßhülse zw. KG li+re <i>fitted sleeve between cc le+ri</i>	2	901.101.195.00
11	VSHL-Deck A19 <i>closure cap A19</i>	2	900.036.045.02
12	VSHL-SHR M16X1,5 <i>screw plug M16X1,5</i>	1	900.219.004.30
13	DI-RG A 16X20 <i>sealing ring A 16X20</i>	1	900.123.018.30
14	KOMBI-SHR M8X35 8.8 <i>fillister screw+washer M8X35</i>	2	900.067.276.01
15	VSHL-Deck A22 <i>closure cap A22</i>	2	900.036.046.02
16	VSHL-Deck B16 <i>closure cap B16</i>	R 2	900.036.029.02
17	VSHL-Deck A13 <i>closure cap A13</i>	R 2	900.036.047.02
18	VSHL-STP 7,5X8 <i>plug 7,5X8</i>	1	911.101.186.00
19	VSHL-Deck A15 <i>closure cap A15</i>	1	900.036.008.02
20	Kolben f.Überdruckventil <i>piston for relief valve</i>	1	911.107.512.00
21	Feder f. Überdruckventil <i>pressure spring</i>	1	996.107.127.80
22	Führungshülse f. Feder <i>guide sleeve pressure spring</i>	1	996.107.533.91
23	Distanzring 1,5mm <i>spacer ring 1,5mm</i>	1	996.107.532.81
24	Dichtring A 18X24 <i>sealing ring A 18X24</i>	1	900.123.106.30
			01-01-02

Kurbelgehäuse rechts / crankcase right



Pos.	Bezeichnung / Description	St./Pc.	Teile Nr./Part no.
25	VSHL-SHR Druckregelventil <i>screw plug</i>	1	996.107.105.80
26	STIFT-SHR B M8X52 <i>stud M8X52</i>	1	999.062.138.02
27	6RD-SHR M10X70 <i>screw M10X70</i>	R 1	900.385.119.01
28	KOMBI-SHR M8X30 8.8 <i>fillister screw M8X30 8.8</i>	1	900.067.247.02
29	STIFT-SHR M8X32 8.8 <i>stud M8X32 8.8</i>	13	999.062.115.02
30	STIFT-SHR M8X78 8.8 <i>stud M8x78 8.8</i>	3	999.062.156.02
31	STIFT-SHR B M 10X 110 8.8 <i>stud M10X110 8.8</i>	1	999.062.276.02
32	STIFT-SHR B M8X22 8.8 Ölpum. <i>stud M8X22 8.8 oil-pump</i>	3	999.062.007.02
33	STIFT-SHR B M8X48 8.8 <i>stud M8X48 8.8</i>	2	999.062.075.02

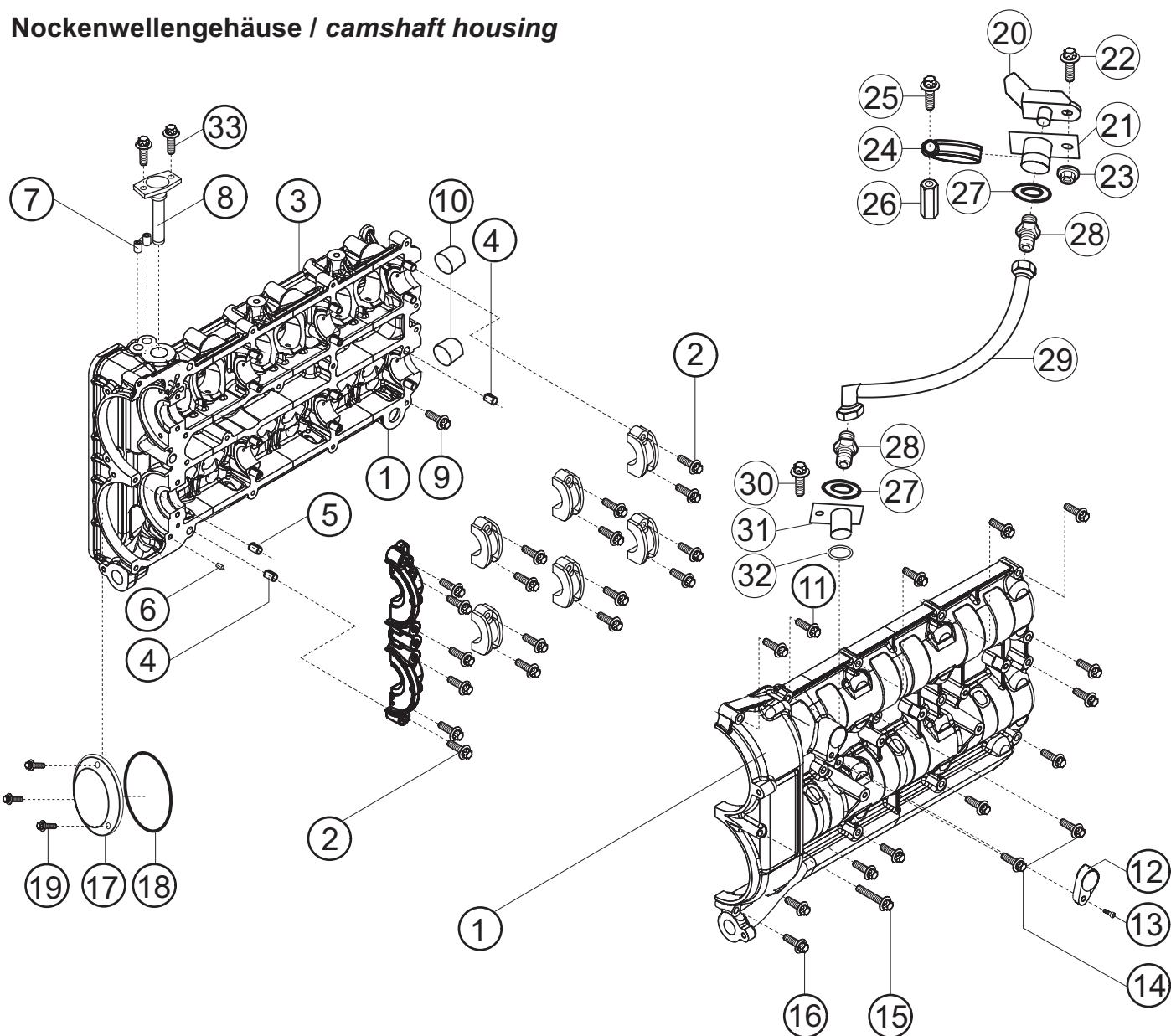
Kurbelwelle / crank shaft



Lagerkennzeichnung rot = Lagerspiel groß
 Lagerkennzeichnung blau = Lagerspiel klein
 red bearing marking = bearing shake wide
 blue bearing marking = bearing shake small

P.	Bezeichnung / Description	St./Pc.	Teile Nr./Part no.
1	Z-Kurbelwelle <i>crankshaft</i>	R 1	996.102.021.92
2	SHB-Feder <i>woodruff key</i>	1	901.102.147.00
3	Zwischenring <i>intermediate ring</i>	1	959.102.321.00
4	Spreng-RG SW 38,6(ww) K2 0 <i>circlip 38,6 index 0</i>	1	901.102.148.00
5	Spreng-RG SW 38,6(ww) K2 1 <i>circlip 38,6 index 1</i>	1	901.102.148.01
6	Spreng-RG SW 38,6(ww) K2 2 <i>circlip 38,6 index 2</i>	1	901.102.148.02
7	Spreng-RG SW 38,6(ww) K2 3 <i>circlip 38,6 index 3</i>	1	901.102.148.03
8	Riemenscheibe <i>belt pulley</i>	R 1	996.102.017.95
9	Durlock-Schraube M14X1,5X40 <i>hex bolt with collar</i>	1	993.102.550.80
10	Paßlager rot <i>axial-thrust bearing red</i>	R 2	996.101.231.91
	Paßlager gelb <i>axial-thrust bearing yellow</i>	R 2	996.101.231.92
	Paßlager blau <i>axial-thrust bearing blue</i>	R 2	996.101.231.93
11	Hauptlager rot <i>main bearing red</i>	R 12	996.101.232.91
	Hauptlager gelb <i>main bearing yellow</i>	R 12	996.101.232.92
	Hauptlager blau <i>main bearing blue</i>	R 12	996.101.232.93
12	Lagerbuchse Lager 8 <i>bushing bearing 8</i>	1	964.101.138.01
13	ZYL-STIFT 5H8X10 <i>stud 5H8X10</i>	1	900.012.061.00
14	Z-Schwungrad <i>flywheel</i>	R 1	997.102.041.90
15	Zylinderschraube <i>fillister-head screw</i>	9	930.102.206.00
16	Pleuel komplett ohne Schalen <i>conrod assembly without P.17</i>	R 6	996.103.012.89
17	Pleuellagerschale <i>conrod bearing shell</i>	R 12	996.103.121.94
18	Pleuelschraube <i>connecting-rod bolt</i>	R 12	997.103.176.92
19	Rillenkugellager <i>grooved ball bearing</i>	1	931.102.111.00
20	Scheibe 14,5x30x5,0 <i>washer 14,5x30x5,0</i>	1	999.025.174.02
			01-02-00

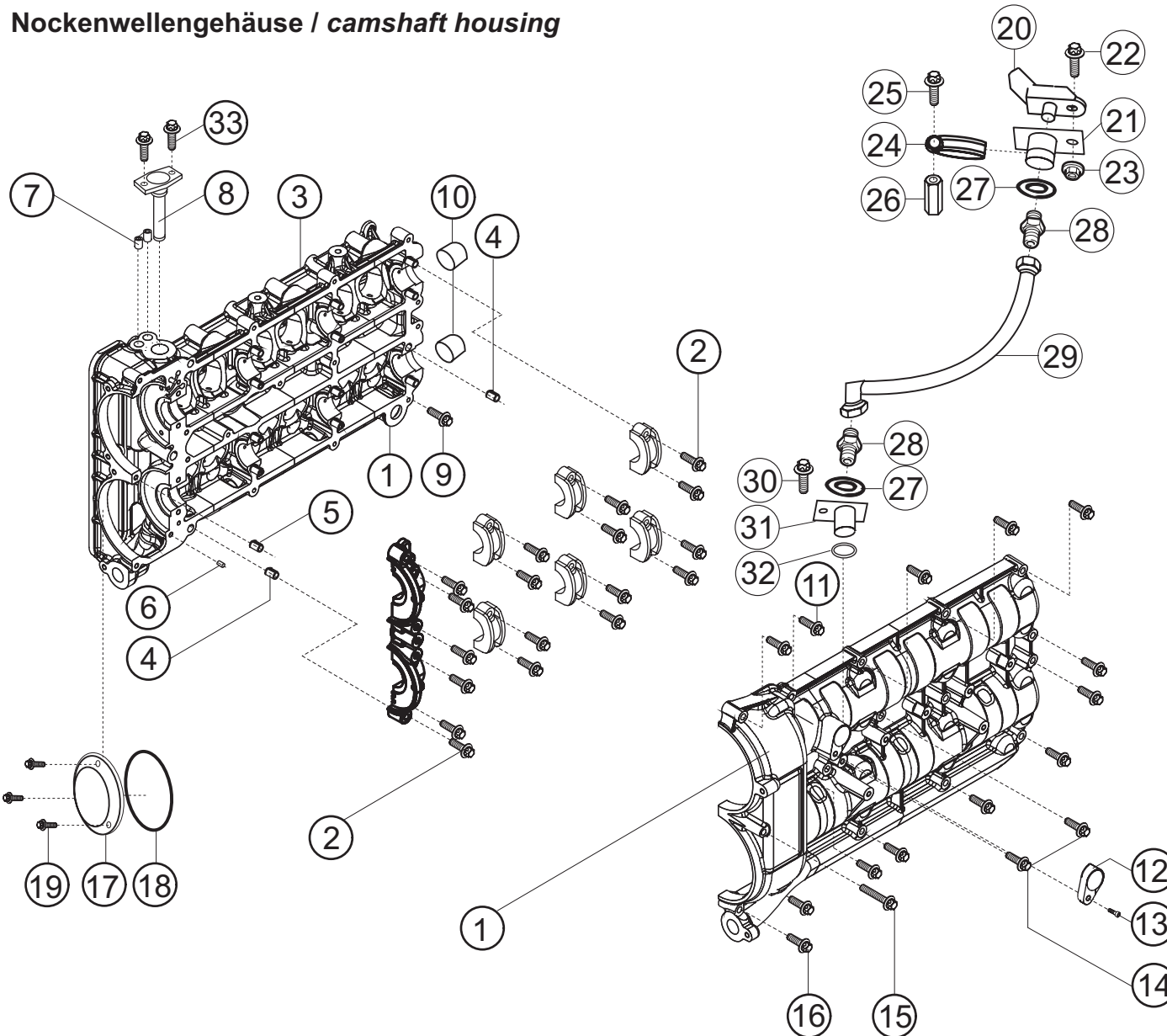
Nockenwellengehäuse / camshaft housing



Pos	Bezeichnung / Description	St./Pc.	Teile Nr./Part no.
1	Nockenwellengehäuse li. Zyl.1-3 camshaft housing left cyl. 1-3	R 1	997.105.039.90
	Nockenwellengehäuse re. Zyl.4-6 camshaft housing right cyl.4-6	R 1	997.105.040.90
2	6RD-SHR M6x30 torx screw M6x30	R 18	900.385.048.01
3	Dichtung N.geh.-Zylinderkopf li+re gasket camshaft.-cyl.head	2	996.105.613.91
4	Passhülse fit sleeve	14	944.104.361.00
5	Passhülse fit sleeve	1	996.104.117.50
6	Zylinderstift 4,0x8 cylindrical pin 4,0x8	2	900.012.071.00
7	Verschlussstopfen 11,2 Alu plug 11,2	2	999.501.024.30
8	Verschlusszapfen closure pin	R 2	997.105.775.9A
o.B.	O-RING 18,72x2,62 f. VS.-Zapfen o-ring 18.72x2,62 f. closure pin	R 2	999.707.134.40
o.B.	O-RING 6,75x1,78 f.VS.-Zapfen o-ring 6,75x1,78 f. closure pin	2	999.701.491.40
9	6RD-SHR M8x50 10.9 torx screw M8x50 10.9	R 36	900.385.071.01
10	Verschlussdeckel (Kunststoff) plastic closure cap	4	996.105.329.70
11	6RD-SHR M6x40 torx screw M6x40	1	900.385.025.09
12	Hallgeber (nicht aktiv) OT-Erken. hall sensor (deactivated)	1	996.606.106.03
13	ZYL-SHR M6x16 fillister screw M6x16	1	999.218.005.02
14	6RD-SHR M6x25 torx screw M6x25	R 2	900.385.072.01
15	6RD-SHR M6x75 torx screw M6x75	R 1	900.385.118.01
16	6RD-SHR M6x35 torx screw M6x35	R 13	900.385.270.01
17	Deckel Einlaßnockenwelle cover for inlet camshaft	R 2	997.105.315.71
18	O-RING 90x2,5 o-ring 90x2,5	R 2	999.707.482.41
19	6RD-SHR M6x20 torx screw M6x20	R 6	900.385.019.01
20	Druckgeber pressure pick-up	R 1	Kap.9 / chap.9
21	Adapter Drucksensor adapter for pressure pick-up	R 1	996.606.313.9A

Nockenwellengehäuse immer gepaart mit Deckel und Lagerbrücken
Cover and bridges for camshaft housing cannot be ordered separatly

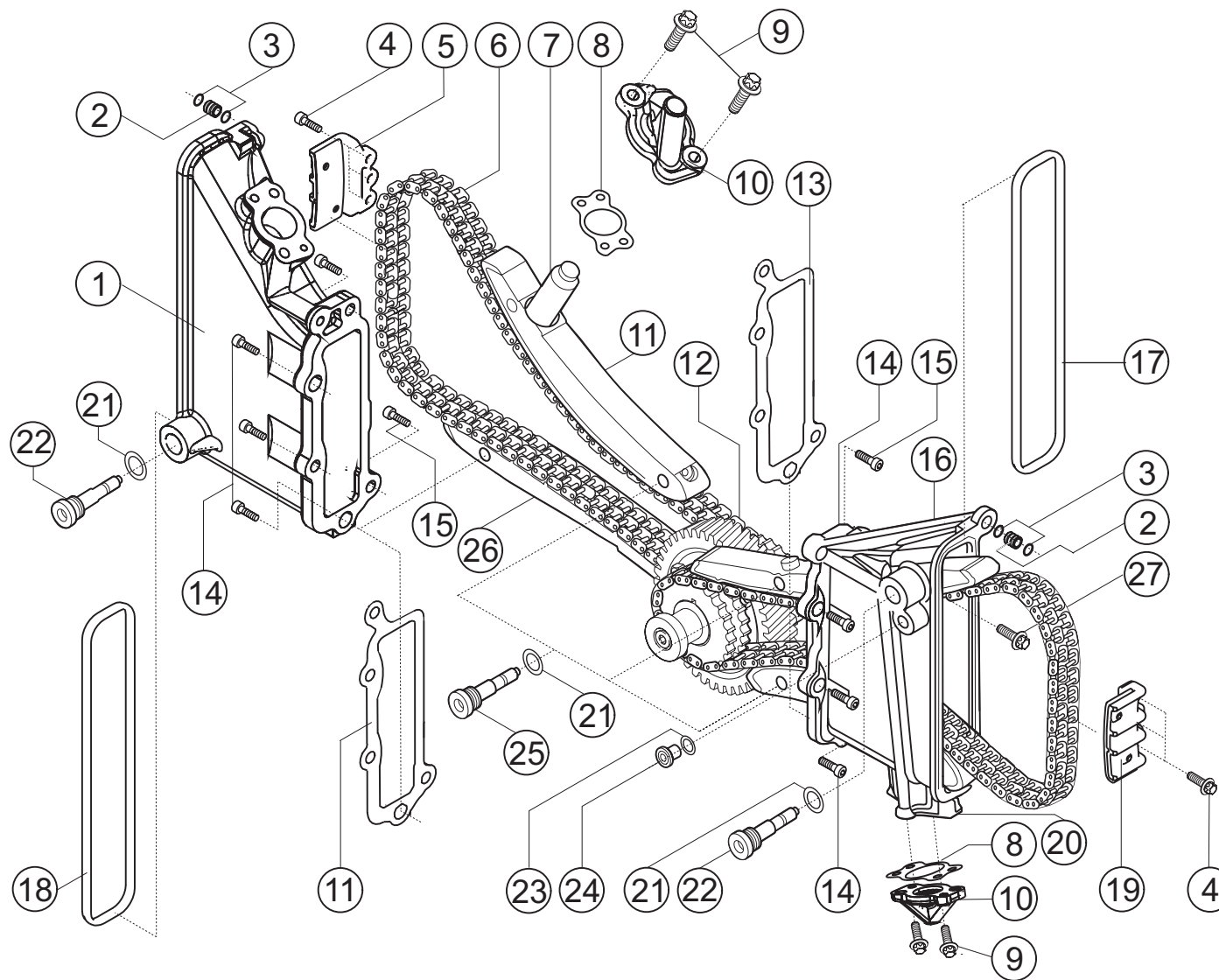
Nockenwellengehäuse / camshaft housing



Pos	Bezeichnung / Description	St./Pc.	Teile Nr./Part no.
22	6RD-SHR M6X12 torx screw M6X12	R 1	900.385.041.01
23	6KT-MU M6 hex nut M6	1	900.377.010.09
24	HALT-SHE 20X15 clamp 20X15	1	999.511.177.02
25	6RD-SHR M6X12 torx screw M6X12	R 1	900.385.041.01
26	Distanzstück spacer	1	993.107.243.50
27	Dichtring A10X16 sealing ring A10X16	2	900.123.066.30
28	Verbindungstutzen connecting neck	R 2	999.105.026.30
29	Druckleitung pressure line	R 1	996.107.477.9D
30	6RD-SHR M6X16 torx screw M6X16	1	900.385.009.01
31	Adapter adapter	R 1	996.606.311.9D
32	O-RING 17,05X1,78 o-ring 17,05X1,78	1	999.707.404.40
33	6RD-SHR M6X16 torx screw M6X16	R 2	900.385.050.09

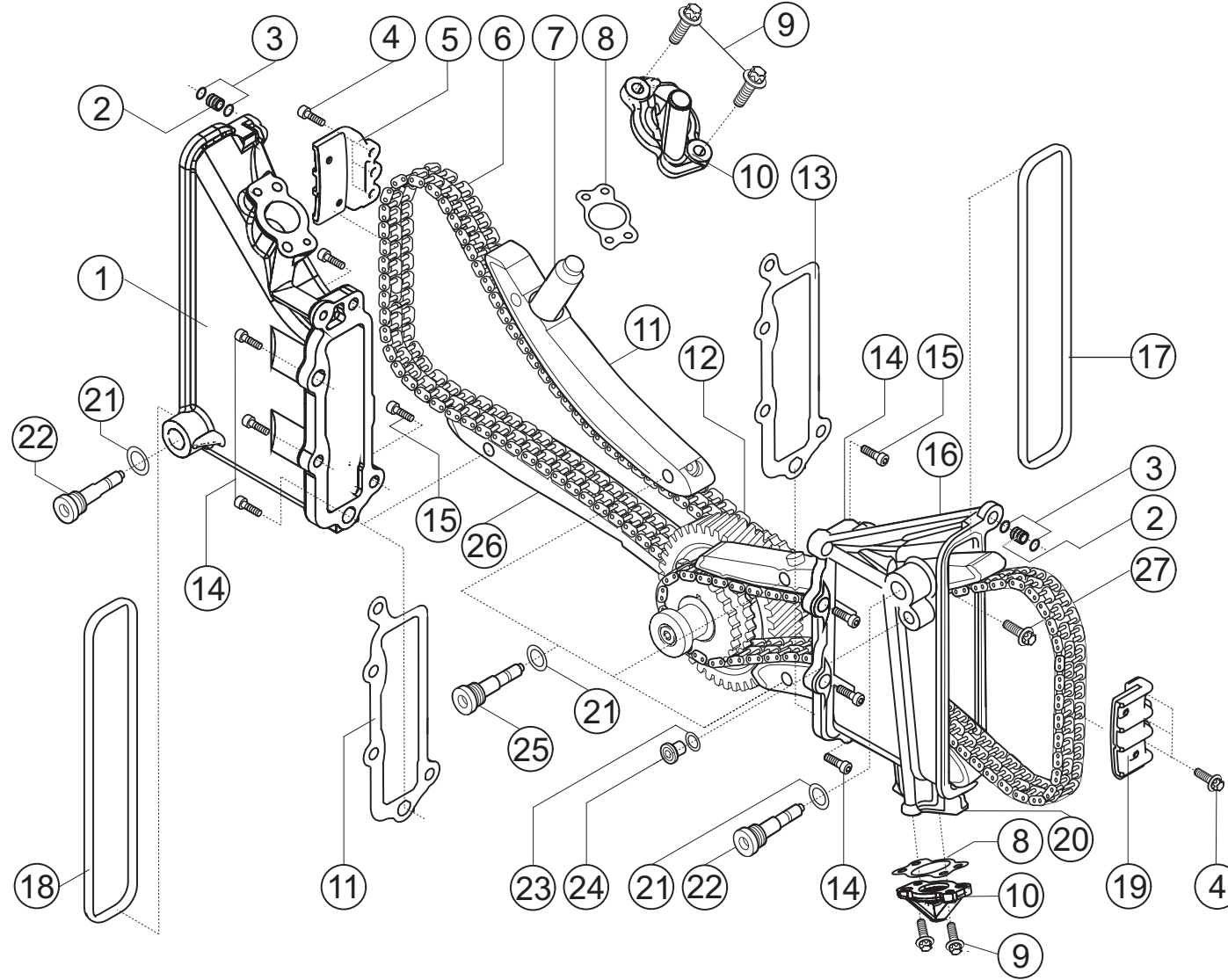
Nockenwellengehäuse immer gepaart mit Deckel und Lagerbrücken
Cover and bridges for camshaft housing cannot be ordered separately

Steuerketten + Kettenkästen / *timing chain + timing-chain case*



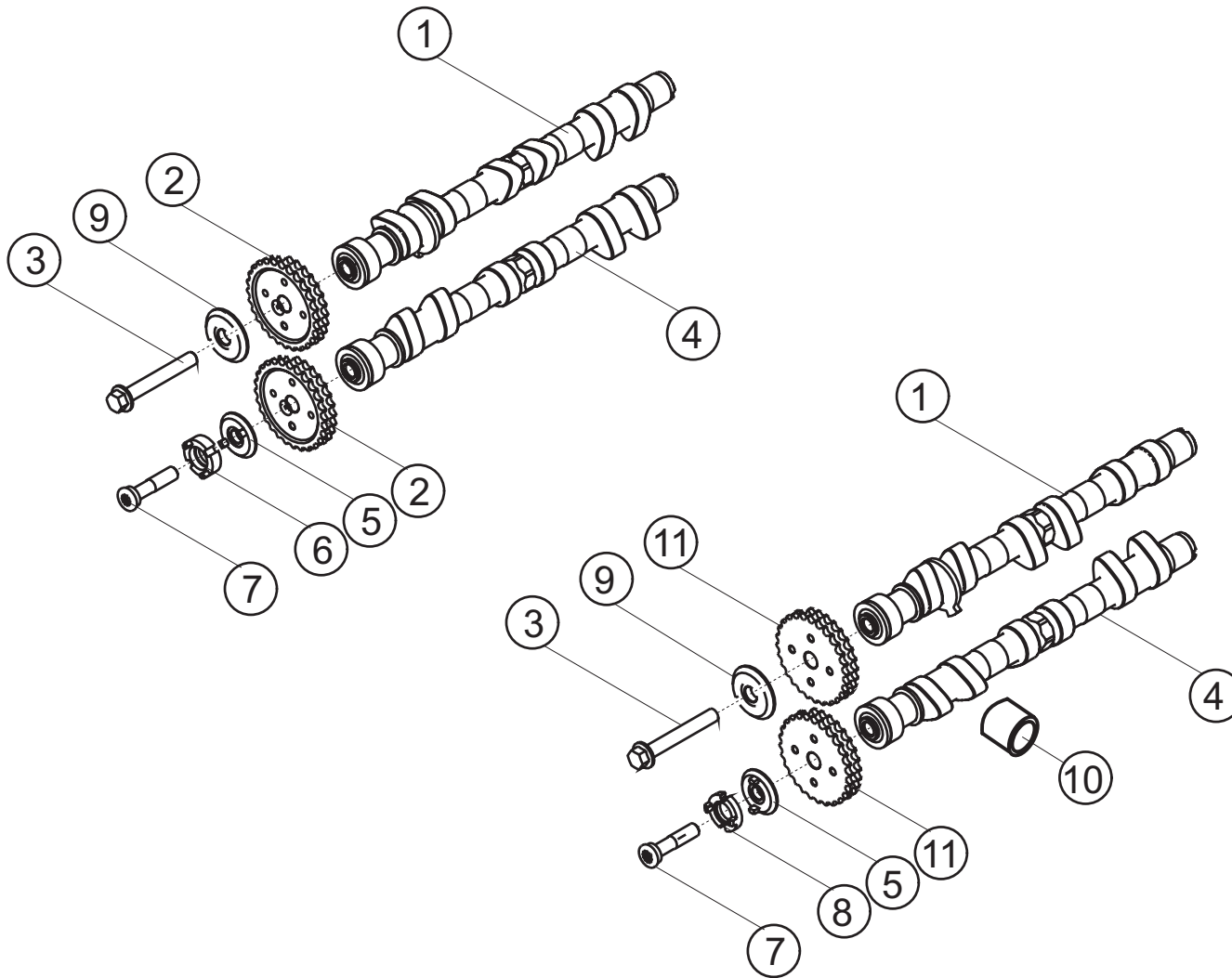
Pos.	Bezeichnung / Description	St./Pc	Teile Nr./Part no.
1	Kettengehäuse links Zyl.1-3 <i>timing-chain case left cyl.1-3</i>	1	996.105.143.79
2	Dichtungshülse zw.Ketten/NWgh. <i>sealing sleeve</i>	2	996.105.229.90
3	O-Ring 9,25X1,78N <i>o-ring 9,25X1,78N</i>	4	999.707.229.41
4	6RD-SHR M 6X25 <i>torx screw M 6X25</i>	R 6	900.385.072.01
5	Umlenkschiene links NW-Räder <i>deflection rail left</i>	R 1	996.105.037.75
6	Zweifach-Rollenkette <i>dual roller-chain</i>	2	959.105.552.01
7	Z-Kettenspanner links <i>chain tensioner</i>	1	959.105.051.01
8	Dichtung Deckel-Kettenspanner <i>sealing for chain-tensioner cap</i>	2	996.105.172.70
9	6RD-SHR M6X20 <i>torx screw M6X20</i>	R 4	900.385.019.01
10	Z-Deckel f. Kettenspanner <i>cap for chain-tensioner</i>	2	993.105.022.01
11	Spannschiene <i>tensioning rail</i>	2	996.105.165.71
12	Z-Gleitschiene rechts <i>slide rail right</i>	1	996.105.166.70
13	Kettengehäuse Dichtung unten <i>chain-case sealing below</i>	2	996.105.192.71
14	KOMBI-SHR 8X35 <i>fillister screw 8X35</i>	4	900.067.276.01
15	KOMBI-SHR M8X30 <i>fillister screw M8X30</i>	5	900.067.247.02
16	Kettengehäuse rechts Zyl.4-6 <i>timing-chain case right cyl.4-6</i>	R 1	997.105.144.90
17	Dichtung Kettengehäuse rechts <i>chain-case sealing right</i>	1	996.105.514.72
18	Dichtung Kettengehäuse links <i>chain-case sealing left</i>	1	996.105.513.72
19	Z-Umlenkschiene rechts NW-Rad <i>deflection rail right</i>	R 1	996.105.038.75
20	Z-Kettenspanner rechts <i>chain tensioner right</i>	1	959.105.052.01
21	Dichtring A16X22 Alu <i>sealing ring A16X22</i>	6	900.123.152.30
22	Lagerbolzen <i>bearing bolt</i>	2	996.105.175.70
23	Dichtring A12X15,5 Alu <i>sealing ring A12X15,5 Alu</i>	1	900.123.116.30
24	VSHL-SHR M12X1,5 <i>screw plug M12X1,5</i>	1	900.219.006.02
			01-03-02

Steuerketten + Kettenkästen / *timing chain + timing-chain case*



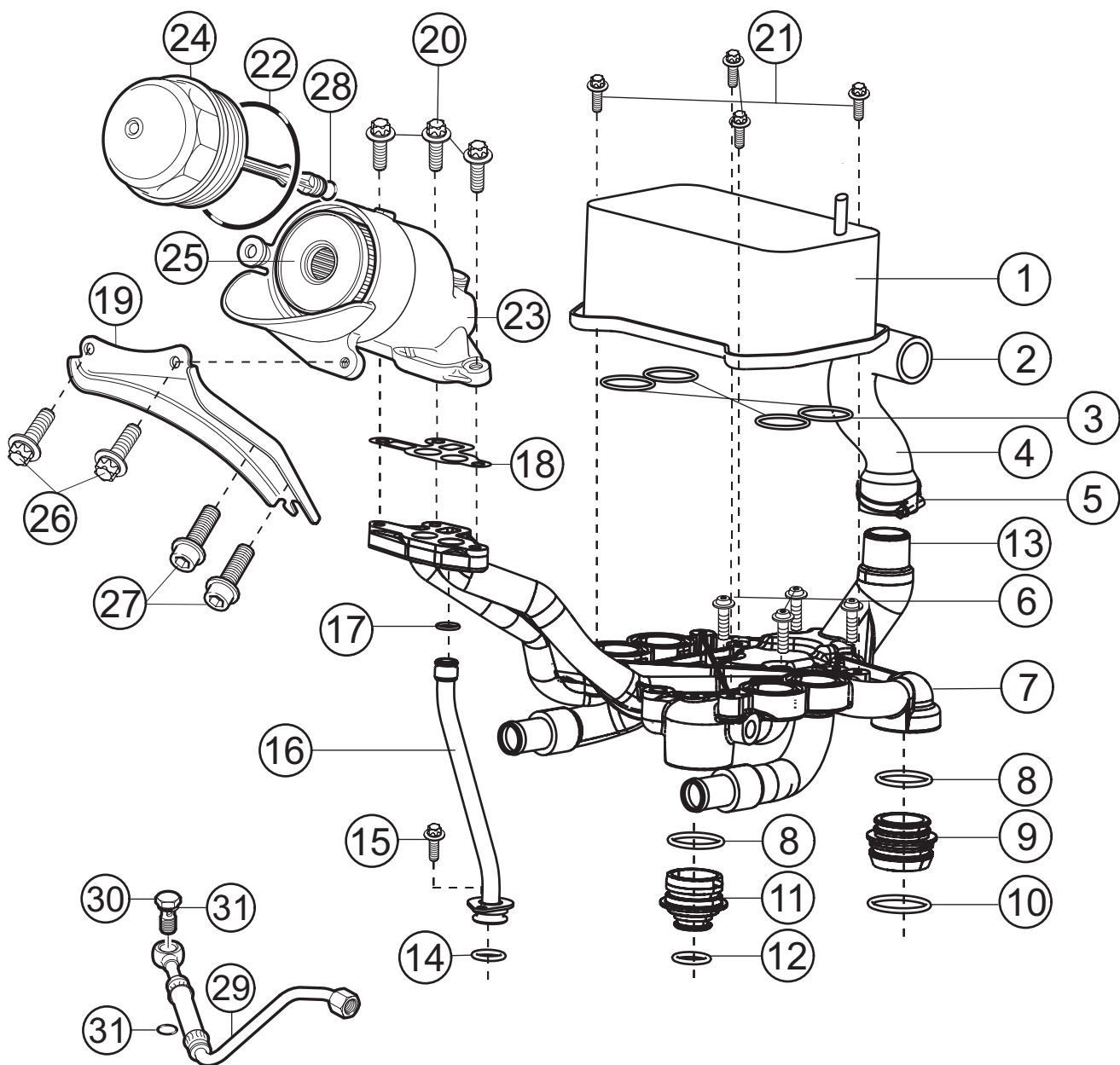
Pos.	Bezeichnung / Description	St./Pc	Teile Nr./Part no.
25	Bolzen SW8 <i>bolt SW8</i>	4	964.105.171.02
26	Z-Gleitschiene links <i>slide rail left</i>	1	996.105.167.70
27	6RD-SHR M8X25 <i>torx screw M8X25</i>	1	900.385.098.01

Ventiltrieb / valve timing



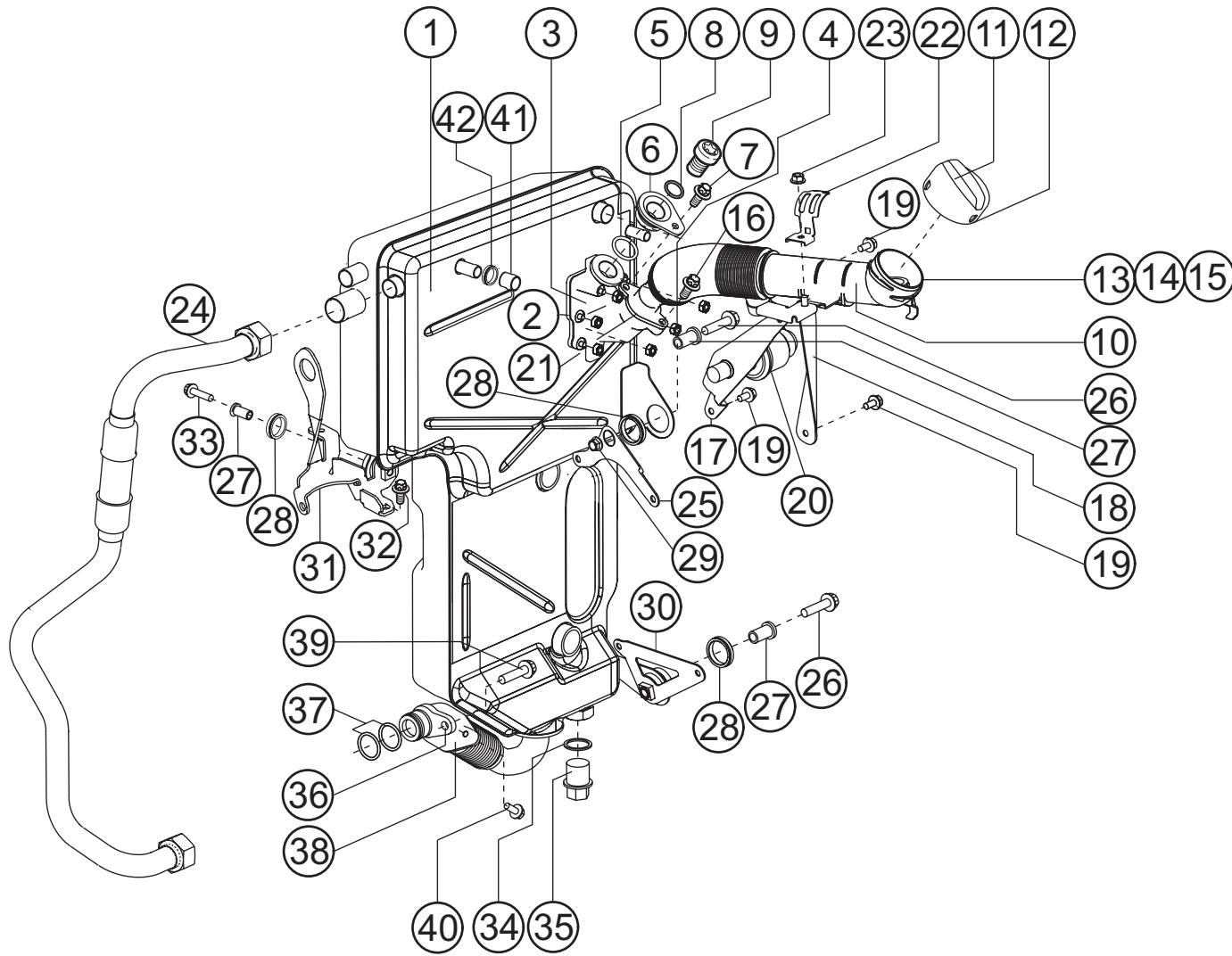
Pos.	Bezeichnung / Description	St./Pc	Teile Nr./Part no.
1	Einlaßnockenwelle camshaft inlet	R 2	996.105.236.97
2	Kettenrad Ein- und Auslaß Zyl.1-3 chain sprocket in-and outlet	2	996.105.177.72
3	6KT-SHR M 12x1,5x50 12.9 hex screw M12x1,5x50 12.9	R 2	900.378.206.01
4	Auslaßnockenwelle camshaft outlet	R 2	996.105.245.90
5	Scheibe Bef. Kettenrad Auslaß washer for outlet chain-sprocket	2	996.105.647.80
6	Mitnehmerscheibe Ölpumpe links driving disk oil-pump left	1	959.105.161.00
7	ZYL-SHR Nockenwellenauslaß fillister screw camshaft outlet	2	996.105.313.90
8	Mitnehmerscheibe Ölpumpe re. driving disk oil-pump right	1	959.105.161.01
9	Scheibe (Einlaß) washer (inlet)	R 2	996.105.267.90
10	Hydrostößel hydraulic tappet	R 24	948.105.071.01
11	Kettenrad Ein- und Auslaß Zyl.4-6 chain sprocket in-and outlet	2	996.105.178.72

Wärmetauscher + Konsole + Ölfilter / heat-exchanger + console + oil filter



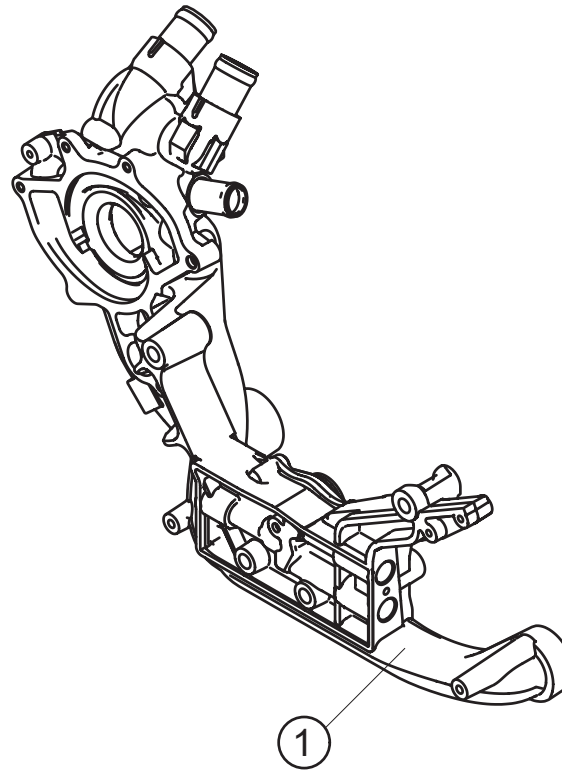
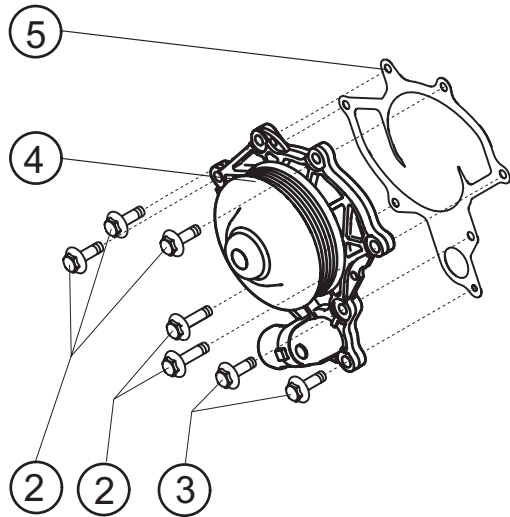
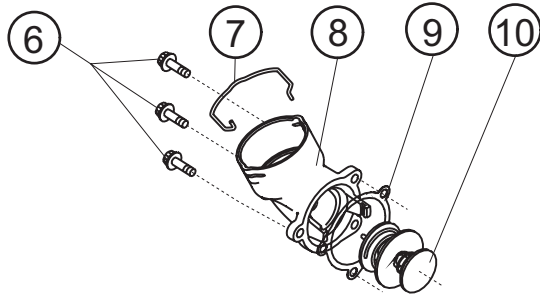
Pos.	Bezeichnung / Description	St./Pc	Teile Nr./Part no.
1	Öl-Wasser Wärmetauscher oil-water heat exchanger	1	996.107.025.71
2	SHL-SHE 23-35x9 hose clamp	1	999.512.252.02
3	O-RING 26x3 o-ring 26x3	R 4	999.707.409.41
4	KG Entlüftungsschlauch ventilation tube	1	996.207.143.71
5	SHL-SHE 25-40x9 hose clamp	1	999.512.551.00
6	FL-KPF-SHR M6x20 oval head screw M6x20	R 4	999.073.316.01
7	Z-Konsole f. Wärmetauscher console for heat exchanger	R 1	996.107.033.96
8	O-RING 32,9x3,53 o-ring 32,9x3,53	R 2	999.707.422.41
9	Hülse Rohöl bush crudeoil	1	996.107.441.71
10	O-RING 37,69x3,53 o-ring 37,69x3,53	R 1	999.707.426.41
11	Hülse Reinöl bush clear-oil	1	996.107.451.72
12	O-RING 20,22x3,53 o-ring 20,22x3,53	R 1	999.707.113.41
13	Rückschlagventil KG-Entlüftung non-return valve crankcase vent.	R 1	996.107.491.91
14	O-RING 18x2,5 o-ring 18x2,5	2	999.707.446.40
15	6RD-SHR M6x12 torx screw M6x12	R 1	900.385.041.01
16	Rohr Ölfilterentleerung tube for oil filter drainage	1	996.107.311.72
17	O-RING 12x2,0 o-ring 12x2,0	1	999.701.789.40
18	Dichtung Ölfilter - WT-Konsole sealing oil-filter - console	1	996.107.217.70
19	Halter Ölfilter support for oil-filter	1	996.107.301.72
20	6RD-SHR M8x25 torx screw M8x25	3	900.385.098.01
21	6RD-SHR M6x16 torx screw M6x16	R 4	900.385.009.01
22	Dichtring für Ölfilterdeckel sealing ring for oil filter cap	1	996.107.313.51
23	Ölfilter komplett oil-filter assembly	R 1	996.107.020.77
24	Ölfilterdeckel cap for oil-filter	1	996.107.285.70

Öltank / oil tank



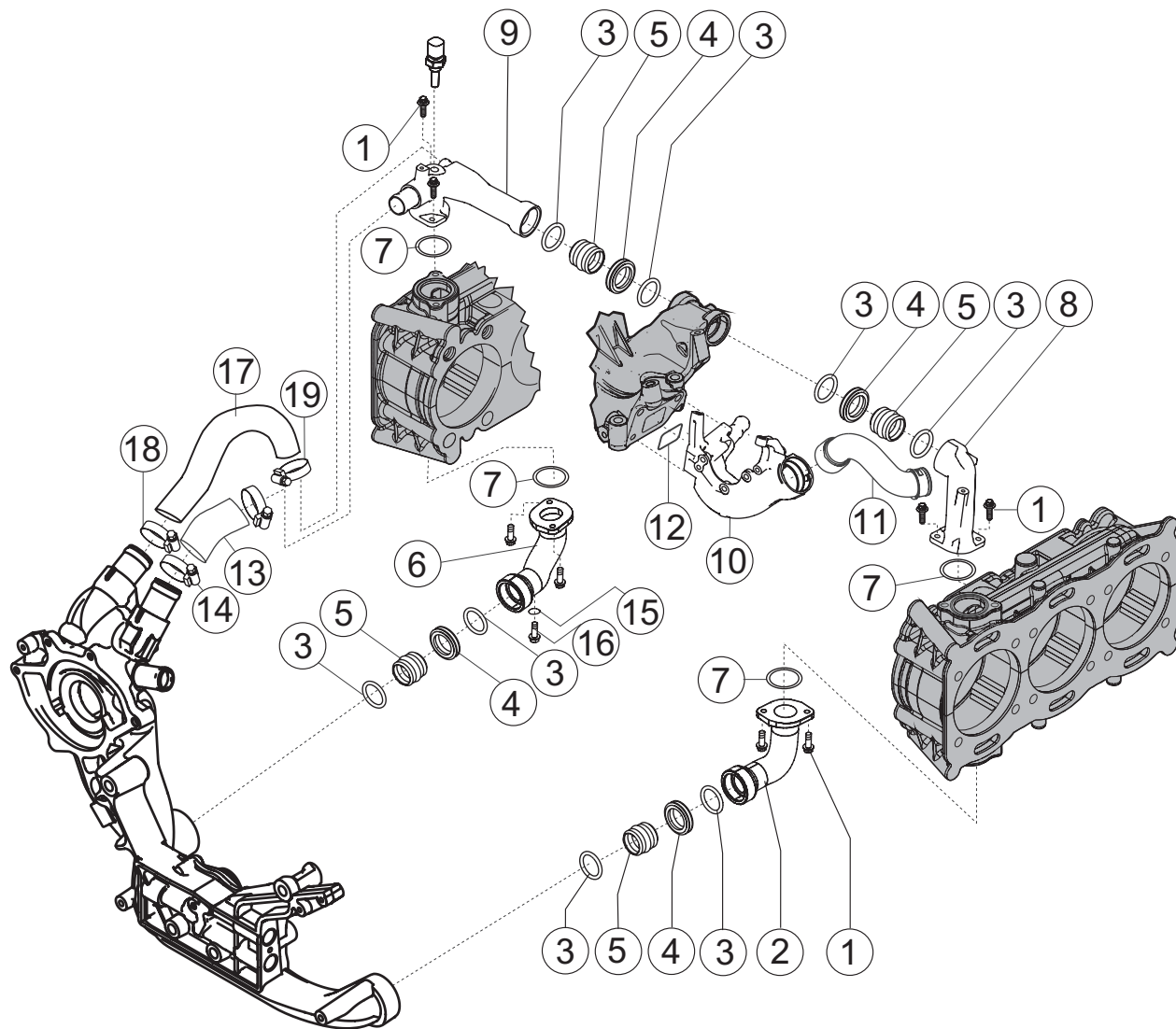
Pos.	Bezeichnung / Description	St./Pc	Teile Nr./Part no.
1	Z Ölbehälter <i>oil tank assembly</i>	R 1	997.207.070.91
2	Dichtung <i>sealing</i>	1	993.207.226.00
3	Zwischenstück <i>connecting piece</i>	R 1	996.207.150.90
4	6KT-MU M5 <i>hex nut M5</i>	6	900.377.019.02
5	Dichtring 25,07x2,62 <i>sealing ring 25,07x2,62</i>	R 1	999.707.343.41
6	Flansch Ölstandsgeber <i>flange for oil level sender</i>	1	996.207.212.70
7	6RD-SHR M6x20 <i>torx screw M6x20</i>	R 1	900.385.019.01
8	Dichtring Alu 20x24 <i>sealing ring 20x24</i>	1	900.123.010.30
9	Verschlußschraube M20x1,5 <i>screw plug M20x1,5</i>	1	900.219.019.09
10	Ölbefüllrohr <i>oil filling tube</i>	1	996.207.016.70
11	Verschlußdeckel <i>closure cap</i>	1	996.107.035.50
12	O-Ring 51x4,5N <i>o-ring 51x4,5N</i>	R 1	999.707.285.41
13	Halteklammer Ölmeßstabführung <i>retaining clamp</i>	1	996.207.233.71
14	Ölmeßstab <i>oil dipstick</i>	R 1	996.207.231.94
15	Führungsrohr f. Ölmeßstab <i>guide tube for oil dipstick</i>	R 1	996.207.031.90
16	6RD-SHR M6x16 <i>torx screw M6x16</i>	R 2	900.385.009.01
17	Halter Öldruckdose <i>bracket for oil pressure can</i>	R 1	996.107.195.94
18	Halter Öleinfüllrohr <i>oil filling tube support</i>	1	996.207.291.91
19	6RD-SHR M6x12 <i>torx screw M6x12</i>	3	900.385.041.01
20	Öldruckgeber <i>oil-pressure sensor</i>	1	Kap.9 / chap.9
21	O-Ring 24x3,0 <i>o-ring 24x3,0</i>	1	999.707.481.40
22	Klemmschelle <i>clamp</i>	R 1	997.207.293.90
23	6KT-MU M6 <i>hex screw M6</i>	1	900.377.010.09
24	Rücklaufleitung <i>return line</i>	R 1	996.107.027.94

Wasserpumpe / water pump



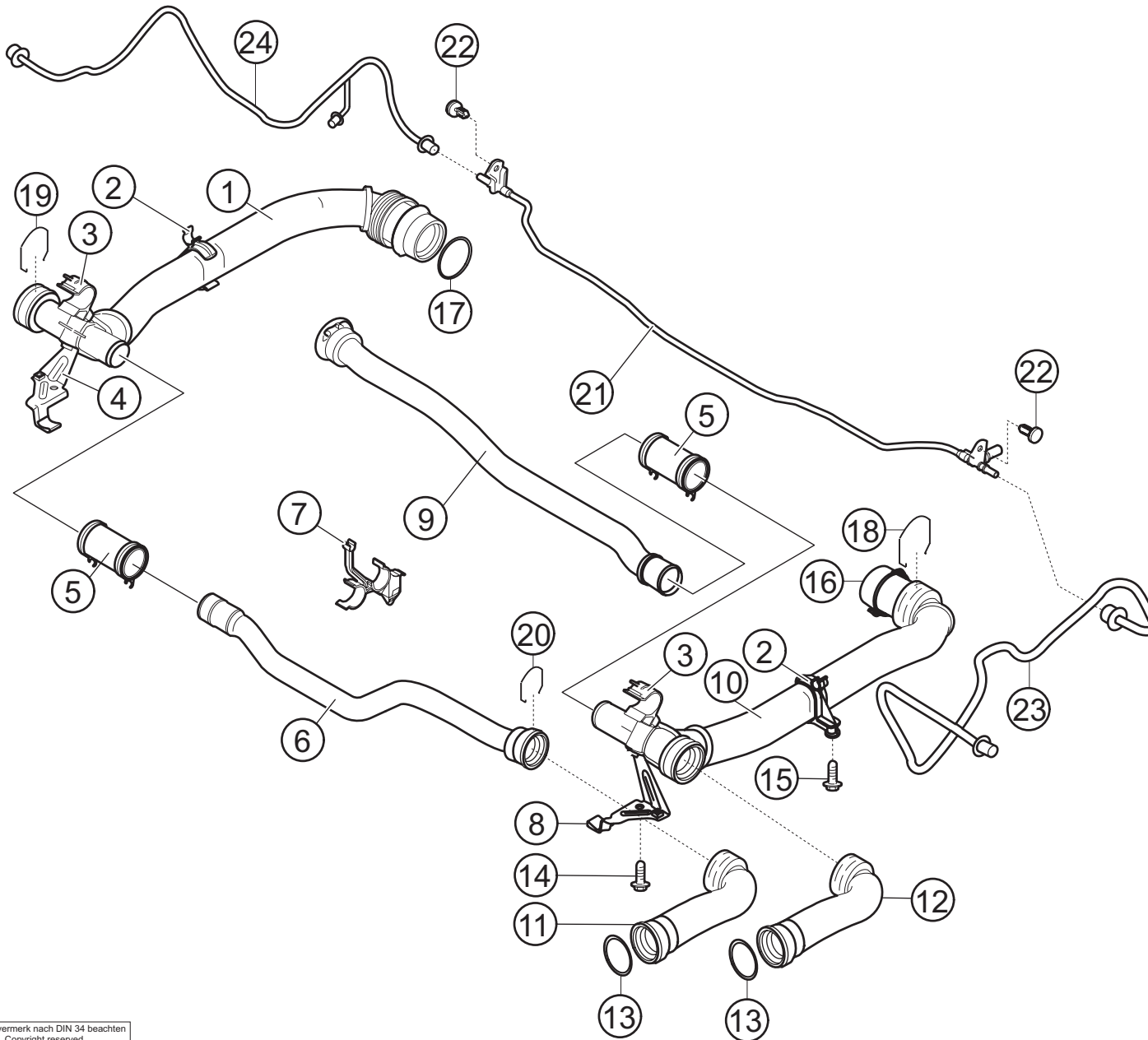
Pos.	Bezeichnung / Description	St./Pc	Teile Nr./Part no.
1	Z Wasserpumpengeh. <i>water-pump housing</i>	R 1	997.106.061.70
2	FL-KPF-SHR M6x25 <i>pan-head screw M6x25</i>	R 5	999.073.102.01
3	FL-KPF-SHR M6x30 <i>pan-head screw M6x30</i>	R 2	999.073.110.01
4	Z Wasserpumpe <i>water pump assembly</i>	R 1	997.106.011.70
5	Wasserpumpendichtung <i>water pump sealing</i>	1	997.106.340.00
6	6RD-SHR M6x20 <i>torx screw M6x20</i>	R 3	900.385.019.01
7	Rastfeder <i>retaining spring</i>	1	997.106.802.03
8	Deckel f. Thermostat <i>cap for thermostat</i>	R 1	996.106.121.72
9	Dichtung f. Thermostatdeckel <i>sealing f. thermostat cap</i>	R 1	996.106.326.71
10	Kühlwasserregler <i>coolant control device</i>	R 1	996.106.125.92

Wasseraus/ -eintrittsstutzen / waterinlet/ -outlet neck



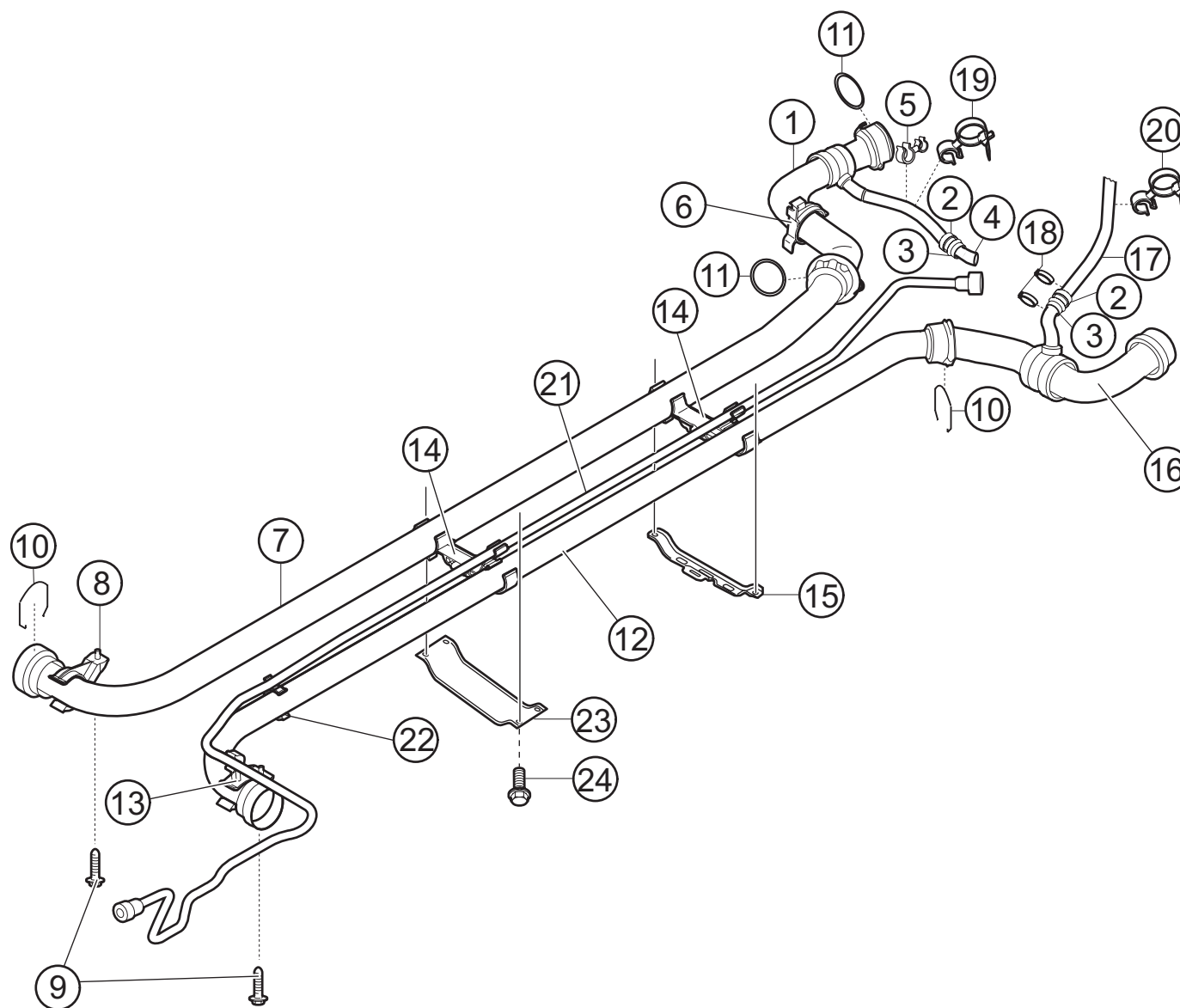
Pos.	Bezeichnung / Description	St./Pc.	Teile Nr./Part no.
1	6RD-SHR M6X20 torx nut M6X20	R 8	900.385.019.01
2	Wassereintr. Stutzen Zyl. 4-6 water inlet neck cyl. 4-6	1	996.106.140.71
3	O-Ring 28X4,5 o-ring 28x4,5	8	999.707.411.40
4	Staubschutzring dust protection ring	4	996.106.214.70
5	Verbindungsstutzen connecter tube	4	996.106.238.71
6	Wassereintr. Stutzen Zyl.1-3 water inlet neck cyl. 1-3	1	996.106.139.71
7	O-Ring 39,2X3 o-ring 39,2X3	4	999.707.410.40
8	Wasserausstr. Stutzen Zyl. 4-6 water outlet neck cyl. 4-6	R 1	997.106.440.70
9	Wasserausstr. Stutzen Zyl. 1-3 water outlet neck cyl. 1-3	R 1	997.106.039.90
10	Servopumpenträger servo-pump support	1	997.115.091.71
11	Vorlaufschlauch supply hose	R 1	997.106.501.90
12	O-Ring 51X2,5 o-ring 51X2,5	1	999.707.298.40
13	Kurzschlußschlauch Thermostat bypass hose thermostat	1	996.106.529.73
14	SHL-SHE 25-40/9 hose clamp 25-40/9	2	999.512.551.00
15	Dichtring 10x13,5 sealing ring 10x13,5	2	900.123.144.30
16	Verschlußschraube M10x1 closure screw M10x1	R 2	900.219.007.01
17	Kurzschlußschlauch Heizung bypass hose heating	R 1	997.106.514.90
18	SHL-SHE 25-40/9 hose clamp 25-40/9	1	999.512.551.00
19	SHL-SHE 23-35/9 hose clamp 23-35/9	1	999.512.252.02

Wasserkreislauf vorne / front water-circuit



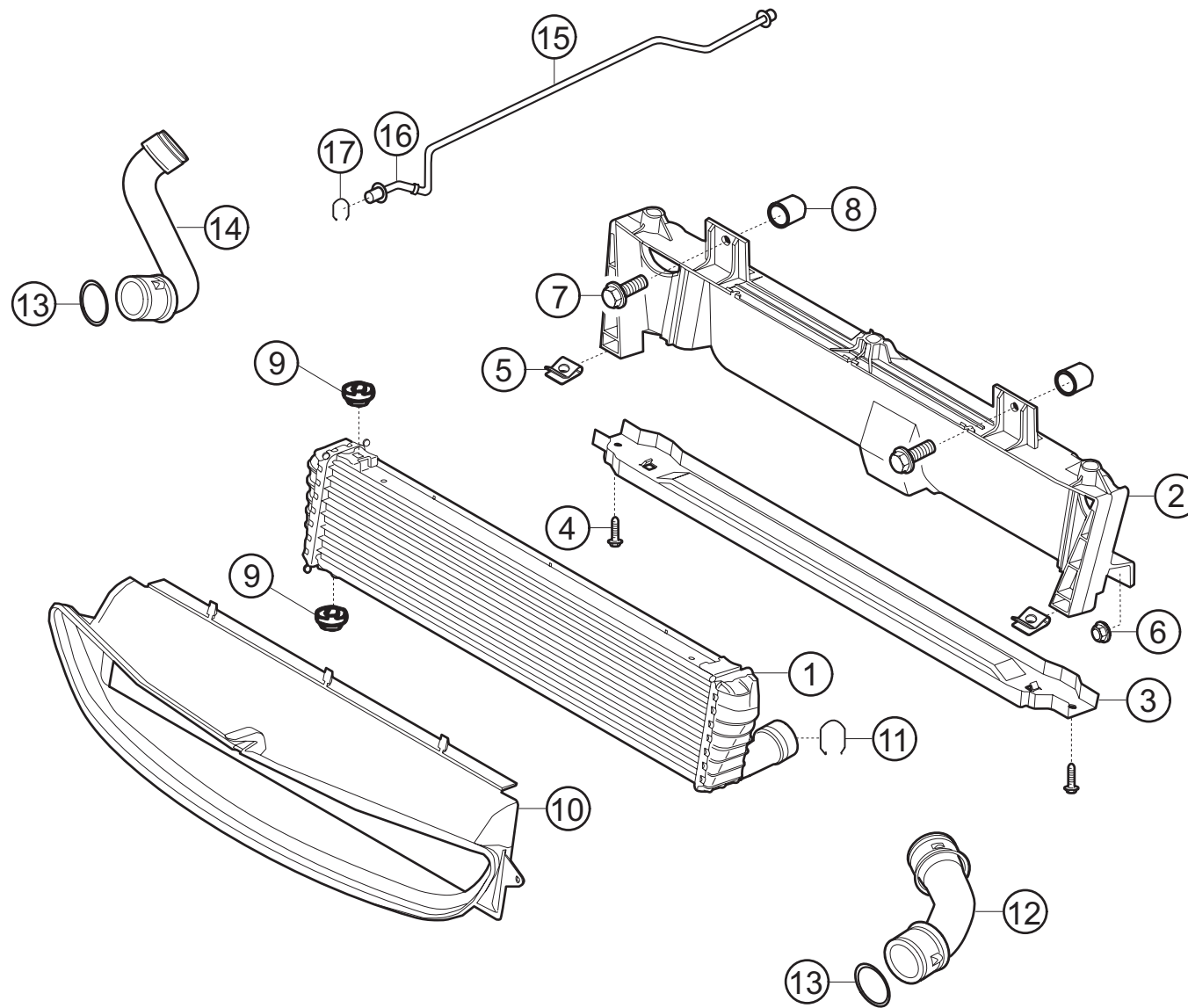
Pos.	Bezeichnung / Description	St./Pc	Teile Nr./Part no.
1	Verteilerrohr Vorlauf <i>supply tube</i>	1	997.106.752.03
2	Halter Verteilerrohr <i>bracket distributor tube</i>	2	997.106.413.01
3	Halter Querrohr oben <i>transverse tube bracket</i>	2	997.106.526.01
4	Halter Verteilerrohr rechts <i>bracket distributor tube right</i>	1	997.106.574.02
5	Kühlwasserschlauch <i>water hose</i>	2	997.106.723.05
6	Querrohr Vorlauf <i>transverse supply tube</i>	1	997.106.711.02
7	Halter Querrohr mitte <i>transverse tube bracket middle</i>	1	997.106.525.01
8	Halter Verteilerrohr links <i>bracket distributor tube left</i>	2	997.106.573.02
9	Querrohr Rücklauf <i>transverse return tube</i>	1	997.106.720.02
10	Verteilerrohr Rücklauf <i>return tube</i>	1	997.106.751.03
11	Vorlaufschlauch links <i>supply hose left</i>	1	997.106.623.03
	Vorlaufschlauch rechts <i>supply hose right</i>	1	997.106.627.03
12	Rücklaufschlauch links <i>return hose left</i>	1	997.106.728.03
	Rücklaufschlauch rechts <i>return hose right</i>	1	997.106.624.03
13	O-Ring klein <i>o-ring small</i>	2	996.106.801.02
	O-Ring groß <i>o-ring large</i>	R 2	996.106.801.07
14	6KT-SHR M6X25 <i>hex screw M6X25</i>	2	900.378.013.09
15	6KT-SHR M6X12 <i>hex screw M6X12</i>	2	900.378.036.09
16	Verbindungs- muffe <i>coupling sleeve</i>	2	997.106.551.03
17	O-Ring <i>o-ring</i>	4	996.106.801.03
18	Rastfeder SCB 42 <i>stop spring SCB 42</i>	2	997.106.802.03
19	Rastfeder SCB 36 <i>stop spring SCB 36</i>	2	997.106.802.02
20	Rastfeder SCB 33 <i>stop spring SCB 33</i>	2	997.106.802.01
21	Entlüftungsleitung quer <i>ventilation tube</i>	1	997.106.767.02

Wasserkreislauf Mitte / mid water-circuit



Pos.	Bezeichnung / Description	St./Pc	Teile Nr./Part no.
1	Vorlaufschlauch komplett <i>supply hose assembly</i>	R 1	997.106.950.92
2	Stecker für Entlüftungskupplung <i>plug for ventilation coupling</i>	R 2	997.106.286.9A
3	Entlüftungskupplung <i>ventilation coupling</i>	R 2	997.106.285.9A
4	Anschlußschlauch WT komplett <i>connecting-hose WT</i>	R 1	997.106.952.91
5	Schlauchclip <i>hose support</i>	R 1	999.507.118.40
6	Halter <i>bracket</i>	R 1	997.106.427.01
7	Vorlaufrohr Tunnel <i>supply tube tunnel</i>	1	997.106.651.02
8	Halter Stirnwand rechts <i>bracket right</i>	1	997.106.520.02
9	6KT-SHR M6X16 <i>hex screw M6X16</i>	2	900.378.035.09
10	Rastfeder SBC 42 <i>stop spring SBC 42</i>	4	997.106.802.03
11	O-Ring <i>o-ring</i>	4	996.106.801.03
12	Rücklaufrohr Tunnel <i>return hose tunnel</i>	1	997.106.652.03
13	Halter Stirnwand links <i>bracket left</i>	1	997.106.521.01
14	Haltebrücke Tunnel <i>bracket tunnel</i>	2	997.106.540.02
15	Befestigungsbügel <i>retaining bow</i>	1	997.106.515.02
16	Rücklaufschlauch komplett <i>return hose assembly</i>	R 1	997.106.951.91
17	Rücklaufschlauch WT komplett <i>return hose heat exchanger</i>	R 1	997.106.953.91
18	1-O-KLM 18,2-21 <i>clamp 18,2-21</i>	4	999.512.457.00
19	Halter Schlauch WT <i>hose support heat-exchanger</i>	R 1	999.507.120.40
20	Halter Schlauch WT <i>hose support heat-exchanger</i>	R 1	999.507.121.40
21	Entlüftungsleitung Tunnel <i>ventilation-line tunnel</i>	1	997.106.227.02
22	Halter Entlüftungsleitung <i>bracket ventilation line</i>	1	997.106.512.03
23	Querstrebe <i>cross strut</i>	R 1	997.504.823.01
24	KOMBI-SHR M10x25 <i>hex screw M10x25</i>	4	900.385.123.01

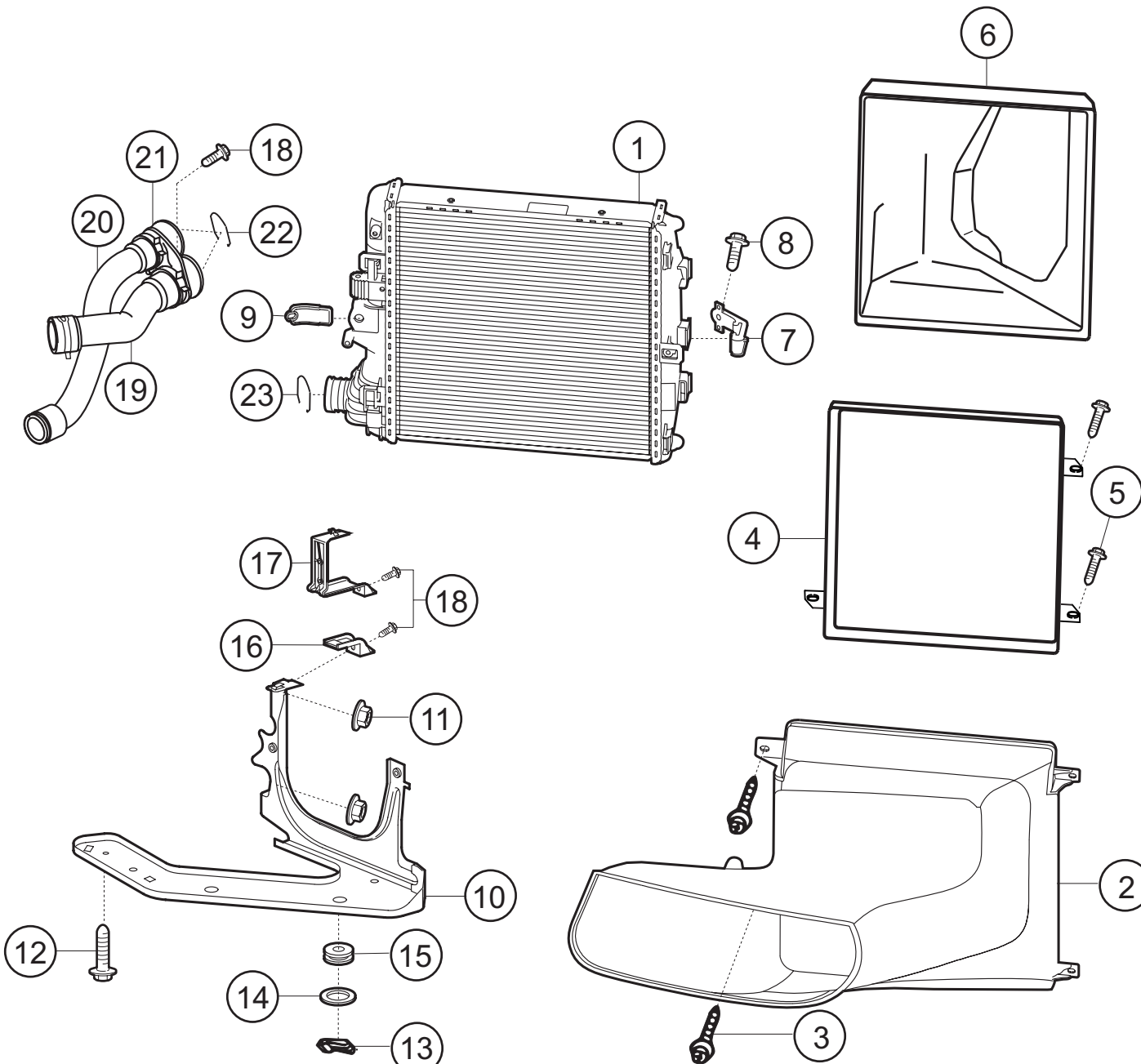
Wasserkühler Mitte / mid-radiator



Pos.	Bezeichnung / Description	St./Pc	Teile Nr./Part no.
1	Wasserkühler mid-radiator	1	996.106.037.73
2	Halterahmen oben radiator-support up	R 1	997.504.487.91
3	Halterahmen unten radiator-support down	R 1	997.504.485.80
4	6KT-SHR M6X16 hex screw M6X16	2	900.378.035.09
5	BL-MU M6 plate nut M6	2	999.591.882.02
6	6KT-MU M8 hex nut M8	2	999.084.447.09
7	6KT-SHR M8X40 hex screw M8X40	2	900.075.479.09
8	Distanzhülse spacer bush	R 2	997.504.789.91
9	Gummihülse rubber bush	4	930.113.430.00
10	Luftführung airduct	R 1	997.575.141.90
11	Rastfeder lock spring	2	996.106.802.17
12	Rücklaufschlauch links return hose left	R 1	997.106.639.90
13	O-Ring o-ring	4	996.106.801.05
14	Vorlaufschlauch rechts supply hose right	R 1	997.106.638.90
15	Entlüftungsleitung ventilation line	R 1	997.106.866.90
16	Adapter adapter	R 1	997.106.565.00
17	Rastfeder lock spring	1	996.106.802.15

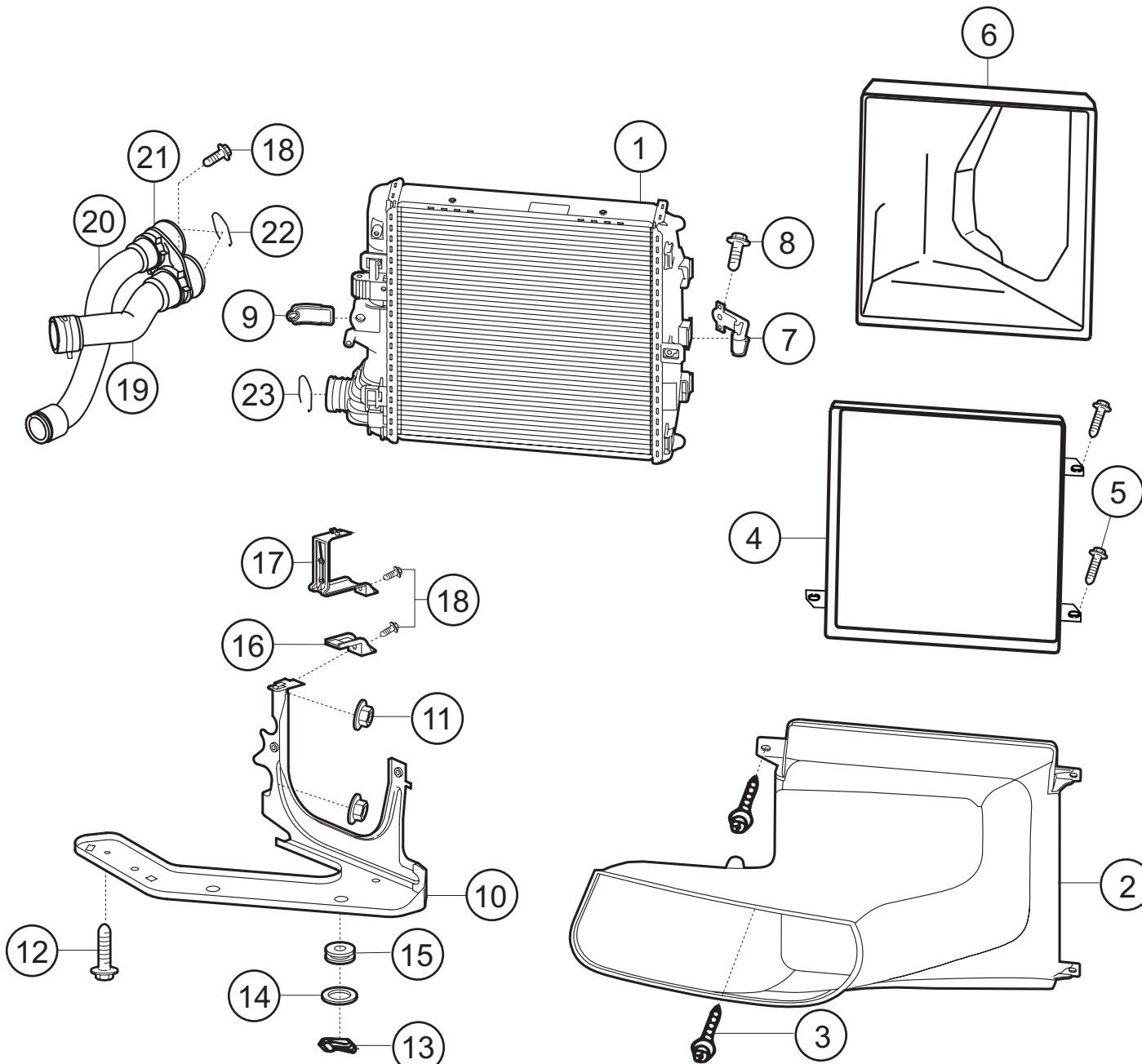
Schutzvermerk nach DIN 34 beachten
Copyright reserved
Dr. Ing. h. c. F. Porsche
Aktiengesellschaft

Wasserkühler seitlich / side-mounted radiators



Pos.	Bezeichnung / Description	St./Pc.	Teile Nr./Part no.
1	Wasserkühler links <i>radiator left</i>	1	997.106.131.02
	Wasserkühler rechts <i>radiator right</i>	1	997.106.132.02
2	Lufführung links <i>airduct left</i>	R 1	997.575.221.90
	Lufführung rechts <i>airduct right</i>	R 1	997.575.222.90
3	LI-SHR M6x16 <i>oval head screw M6x16</i>	3	999.919.134.09
4	Rahmen links <i>frame left</i>	R 1	997.106.135.90
	Rahmen rechts <i>frame right</i>	R 1	997.106.136.90
5	6KT-SHR M6X16 <i>hex screw M6X16</i>	2	999.919.125.09
6	Lufführung links <i>air guide left</i>	R 1	997.575.341.90
	Lufführung rechts <i>air guide right</i>	R 1	997.575.342.90
7	Halter aussen <i>bracket outside</i>	1	997.106.232.01
8	TORX-SHR M6X16 <i>torx screw M6X16</i>	1	900.385.009.01
9	Halter innen <i>bracket inside</i>	1	997.106.231.02
10	Konsole links <i>console left</i>	1	997.106.155.01
	Konsole rechts <i>console right</i>	1	997.106.156.01
11	6KT-MU M8 <i>hex nut M8</i>	2	999.084.447.09
12	6KT-SHR M8X25 <i>hex screw MX25</i>	R 1	999.072.048.09
13	Sicherungsklammer <i>securing clamp</i>	2	999.166.083.09
14	Unterlegscheibe <i>plain washer</i>	2	999.025.255.02
15	Gummilager <i>rubber bearing</i>	1	999.703.494.40
16	Halter links <i>bracket left</i>	1	997.106.455.00
17	Halter rechts <i>bracket right</i>	1	997.106.456.00
18	Torxschraube M6X16 <i>torx screw M6X16</i>	3	900.385.009.01
19	Vorlaufschlauch links <i>supply hose left</i>	1	997.106.621.03

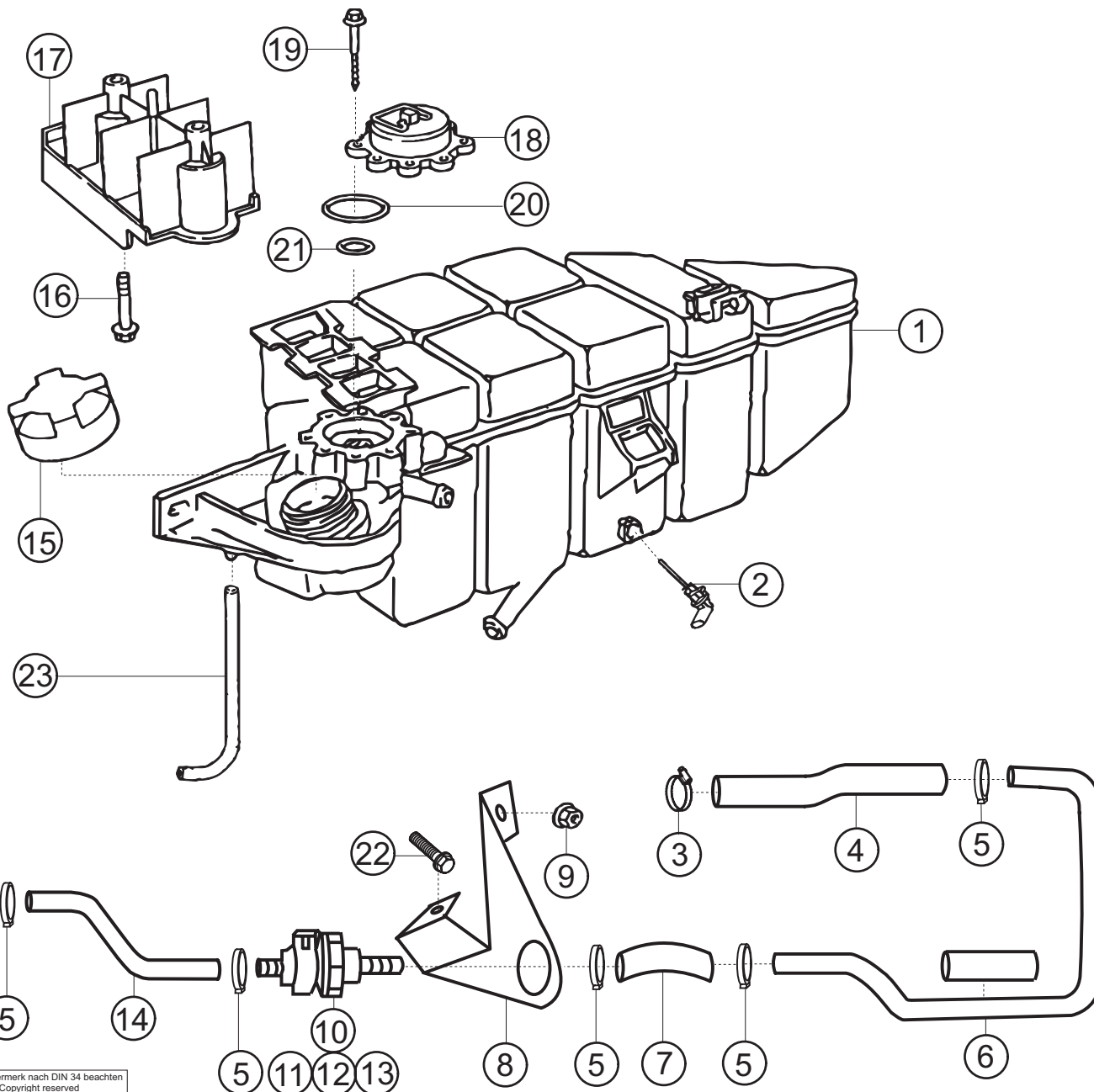
Wasserkühler seitlich / side-mounted radiators



Pos.	Bezeichnung / Description	St./Pc.	Teile Nr./Part no.
19	Vorlaufschlauch rechts supply hose right	1	997.106.622.03
20	Rücklaufschlauch links return hose left	1	997.106.625.03
	Rücklaufschlauch rechts return hose right	1	997.106.626.03
21	Verbindungsstück connecting part	1	997.106.255.02
22	Rastfeder SCB 36 stop spring SCB 36	1	997.106.802.02
	Rastfeder SCB 33 stop spring SCB 33	1	997.106.802.01
23	Rastfeder SCB 26 stop spring SCB 26	1	997.106.802.00
o.B.	Kühlermodul komplett links radiator module assembly left	R	1 997.106.033.91
o.B.	Kühlermodul komplett rechts radiator module assembly right	R	1 997.106.034.91

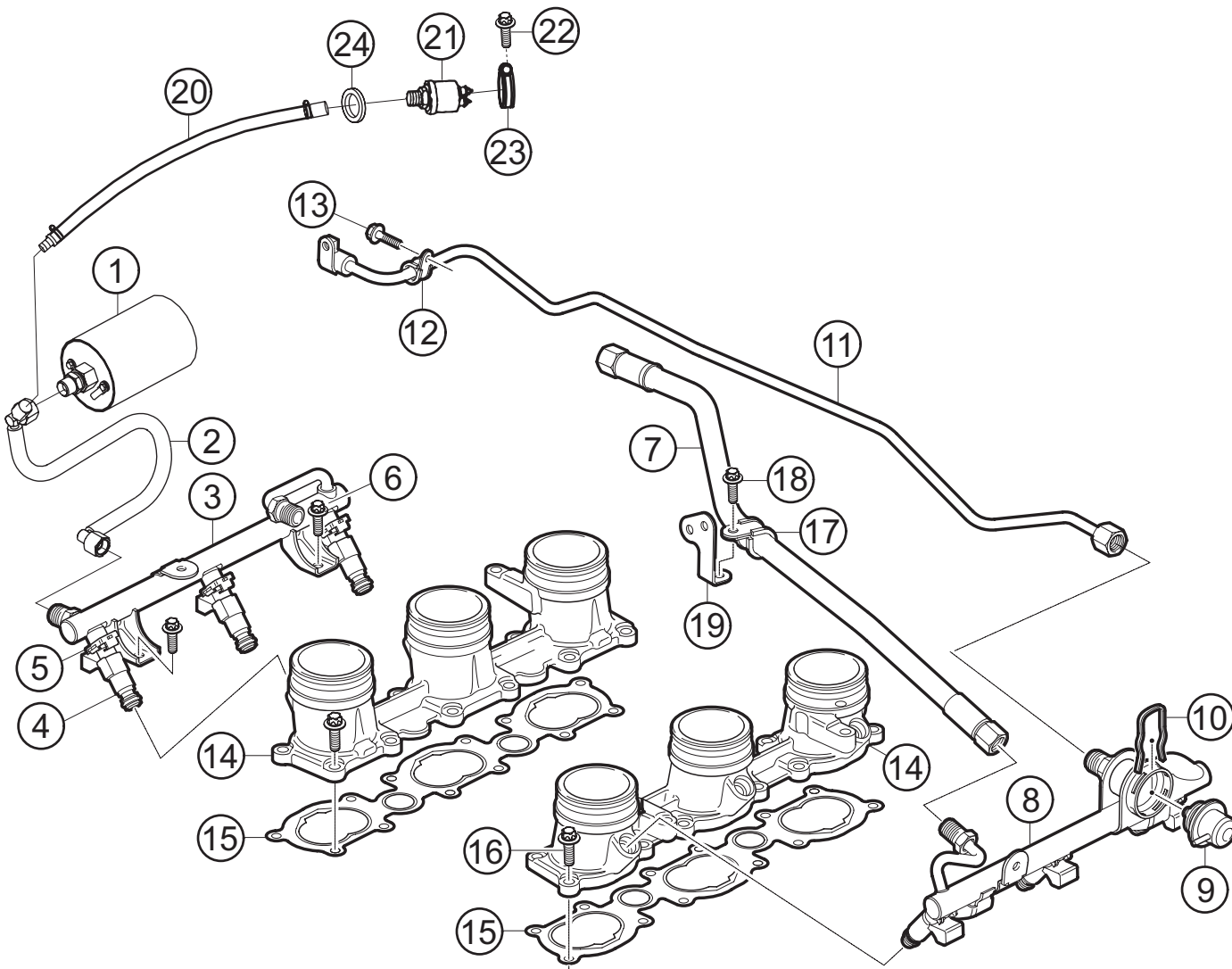
Schutzvermerk nach DIN 34 beachten
Copyright reserved
Dr. Ing. h. c. F. Porsche
Aktiengesellschaft

Wasserausgleichsbehälter / water expansion tank



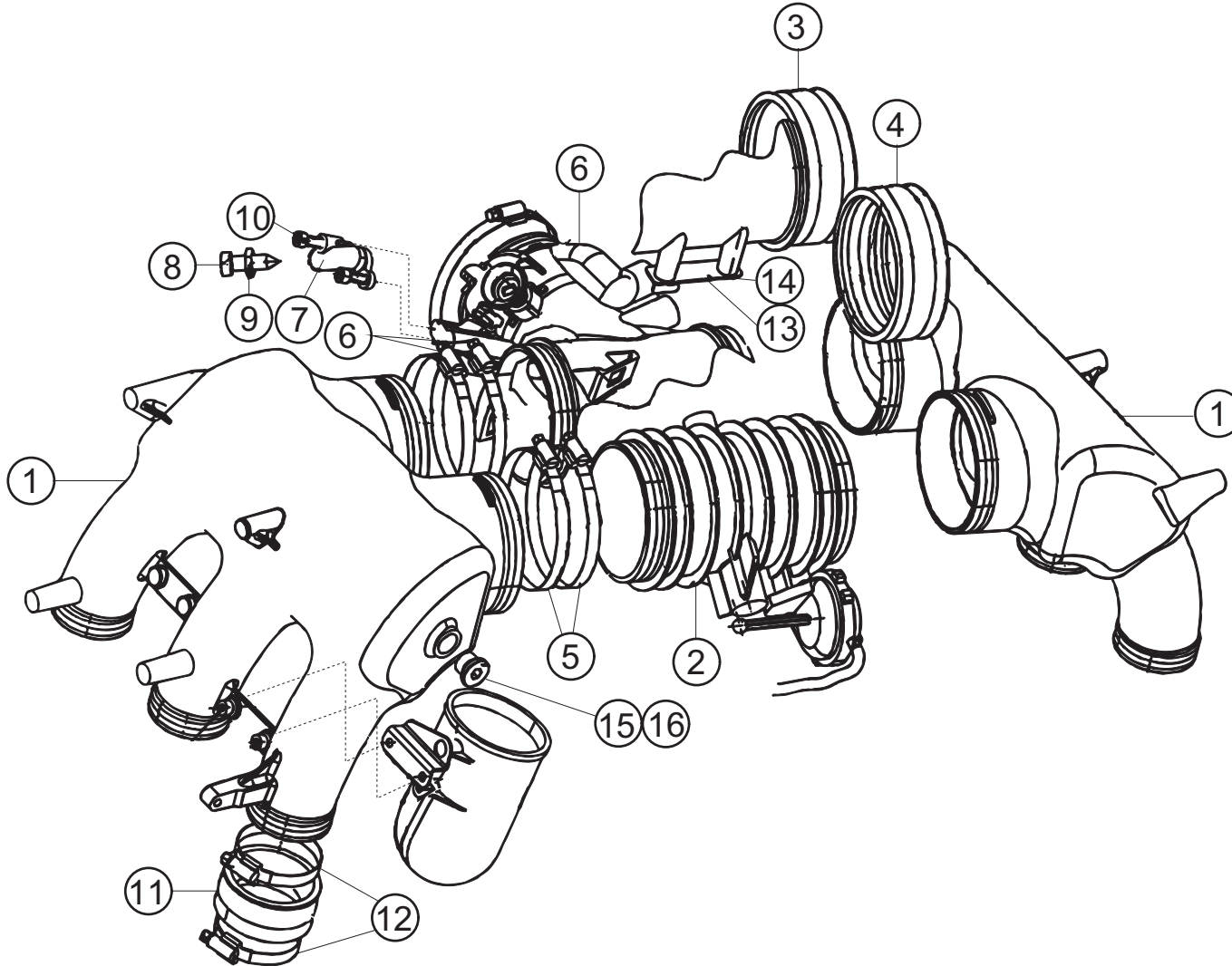
Pos.	Bezeichnung / Description	St./Pc	Teile Nr./Part no.
1	Wasserbehälter (P.1+2+14+18-21) water tank (Pos.1+2+14+18-21)	R 1	996.106.057.03
2	Kühlwasserstandsschalter cooling water level switch	1	s.Kap./chap. 9
3	SHL-SHE 16-25/9 hose clamp 16-25/9	1	999.512.676.00
4	Verbindungsschlauch connecting hose	R 1	996.106.691.9C
5	1-O-Klemme 17-19,8 clamping collar	5	999.512.463.00
6	Entlüftungsrohr + Schlauchstück ventilation tube + protect.hose	R 1	996.106.183.9C
7	Schlauchstück water hose	R 1	996.106.689.9B
8	Halter Entlüftungskupplung holder for ventilation coupling	R 1	997.106.385.90
9	6KT-MU M6 hex nut M6	1	900.377.010.09
10	Entlüftungskupplung komplett ventilation coupling assembly	R 1	996.106.185.9A
11	Entlüftungskupplung ventilation coupling	R 1	996.106.885.9A
12	Stecker f. Entlüftungskupplung plug for ventilation coupling	R 1	996.106.886.9A
13	Dichtring f. Entlüftungskupplung sealing ring for vent.coupling	R 1	996.106.887.9A
14	Verbindungsschlauch connecting hose	R 1	997.106.687.90
15	Verschlussdeckel closing cap	1	996.106.447.01
16	6KT-SHR M6X35 hex screw M6X35	R 2	900.378.141.09
17	Halter Kühlmittelbehälter holder for water tank	1	996.106.405.52
18	Entlüftungsventil ventilation valve	1	996.106.347.02
19	6KT-SHR 5,0X40-H hex screw 5,0X40-H	8	999.919.058.02
20	O-Ring 47X4 o-ring 47X4	1	999.707.370.40
21	O-Ring 17X4 o-ring 17X4	1	999.707.371.40
22	KOMBI-SHR M6X16 hex-screw M6X16	1	900.075.355.02
23	Überlaufschlauch overflow hose	1	996.106.297.04

Kraftstoffgalerie + Ansaugstutzen / fuel distribution system + intake necks



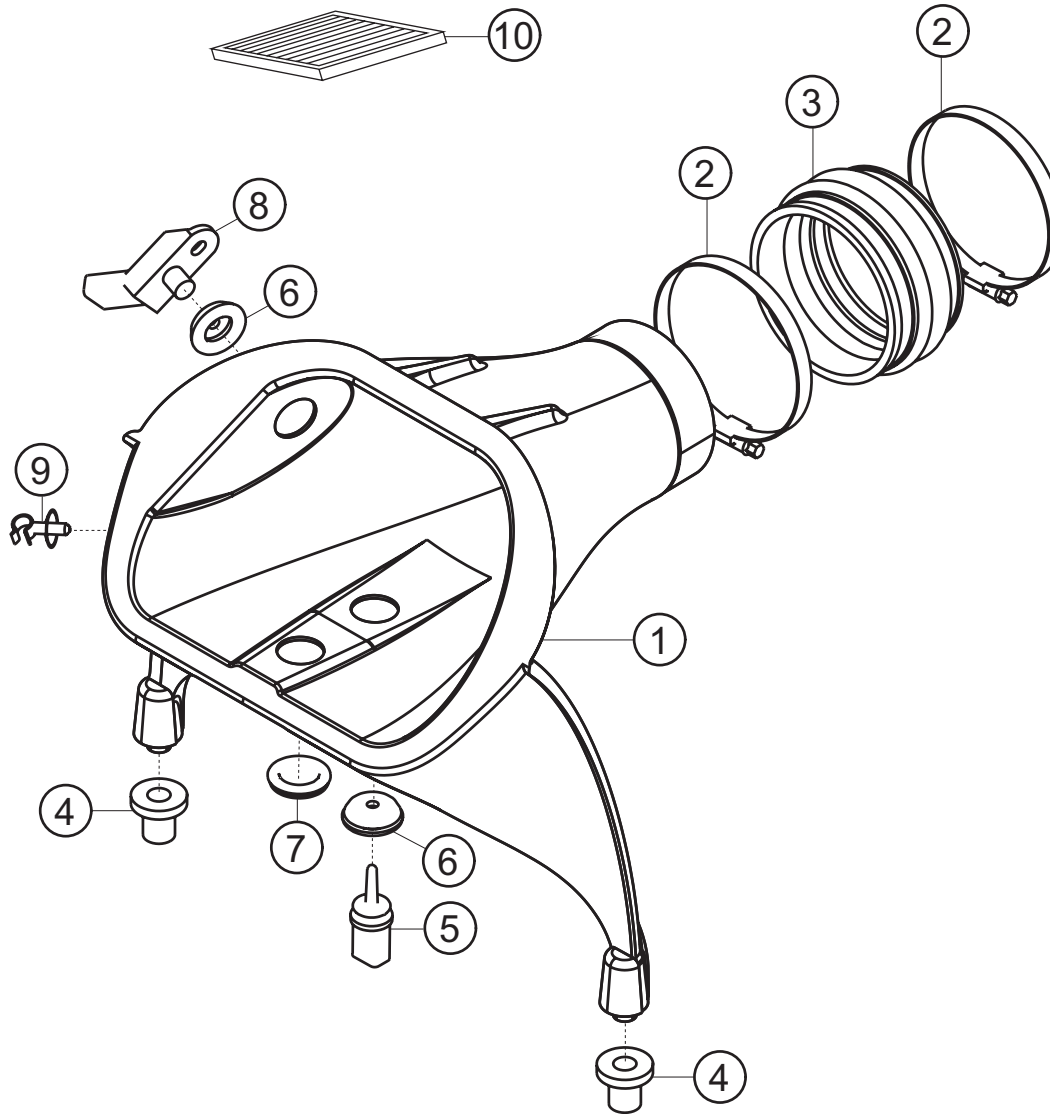
Pos.	Bezeichnung / Description	St./Pc	Teile Nr./Part no.
1	Kraftstofffilter fuel filter	1	996.110.253.52
2	Kraftstoffzulauf mit Ventil fuel-supply line with valve	R 1	996.110.315.91
3	Kraftstoffsammelrohr links fuel collector-pipe left	1	996.110.307.71
4	Einspritzventil injection valve EV 6C	6	996.606.132.00
5	Sicherungsklemme lock clamp	6	996.110.113.52
6	6RD-SHR M6x12 torx screw M6x12	R 4	900.385.041.01
7	Kraftstoffschlauch fuel hose	1	996.110.309.71
8	Kraftstoffsammelrohr rechts fuel collector-pipe right	1	996.110.308.90
9	Druckregler 3,8 bar pressure regulator	1	993.110.199.00
10	Haltespanne für Druckregler securing clip	1	993.110.196.00
11	Kraftstoffrückleitung fuel return-line	R 1	996.110.323.93
12	Halteschelle 8x15 clamp 8x15	1	999.511.153.02
13	6RD-SHR M6x12 torx screw M6x12	R 1	900.385.041.01
14	Saugrohrstutzen links u. rechts intake neck left and right	2	996.110.101.93
15	Dichtung links und rechts gasket left and right	R 2	996.110.103.92
16	6RD-SHR M6x20 torx screw M6x20	R 24	900.385.019.01
17	Halteschelle 16x15 clamp 16x15	1	999.511.234.02
18	6RD-SHR M6x16 torx screw M6x16	R 1	900.385.009.01
19	Halter Kabelstrang support for cable loom	1	996.607.521.91
20	Druckleitung Kraftstoff pressure line for fuel	R 1	997.606.031.91
21	Drucksensor pressure pick-up	1	Kap.9 / chap.9
22	HALT-SHE 15x15 clamp 15x15	1	999.511.155.02
23	6RD-SHR M6x16 torx screw M6x16	R 1	900.385.009.01
24	Dichtring A10X16 sealing ring A10X16	1	900.123.066.30

Ansauganlage / induction system



Pos.	Bezeichnung / Description	St./Pc	Teile Nr./Part no.
1	Ansaugverteiler links/rechts <i>induction-manifold left/right</i>	R 2	996.110.619.96
2	Z-Resonanzrohr <i>resonance-tube assembly</i>	1	996.110.120.53
3	Gummimuffe+Abgang Unterdruck <i>rubber sleeve</i>	1	996.110.685.52
4	Gummimuffe <i>rubber sleeve</i>	3	996.110.686.50
5	SHL-SHE 90-110x9 <i>hose clamp 90-110x9</i>	8	999.512.539.00
6	Drosselklappenstutzen+Vert.rohr <i>throttle housing+distributor tube</i>	R 1	996.110.065.94
7	Leerlaufstellergehäuse <i>idle-controller housing</i>	R 1	996.110.381.91
8	Einstellschraube für Leerlauf <i>adjusting screw for idle</i>	R 1	996.110.313.92
9	6KT-MU M12x1,5 <i>hex screw M12x1,5</i>	1	900.034.014.02
10	KOMBI-SHR M6x16 <i>cylindrical screw+washer M6x16</i>	2	900.119.091.02
11	Gummimuffe D48 <i>rubber sleeve D48</i>	6	996.110.687.90
12	SHL-SHE 50-70/9 <i>hose clamp 50-70/9</i>	12	999.512.349.02
13	Halter Umschaltventil Resoklappe <i>change-over-valve support</i>	1	996.110.515.92
14	6RD-SHR M6x12 <i>torx screw M6x12</i>	R 2	900.385.041.01
15	Verschlussschraube M16x1,5 <i>screw plug M16x1,5</i>	2	900.219.004.02
16	Dichtring 16x20 Al <i>sealing ring 16x20</i>	2	900.123.131.30
o.B.	Gaszugsicherung <i>lock for throttle control cable</i>	1	996.110.265.50

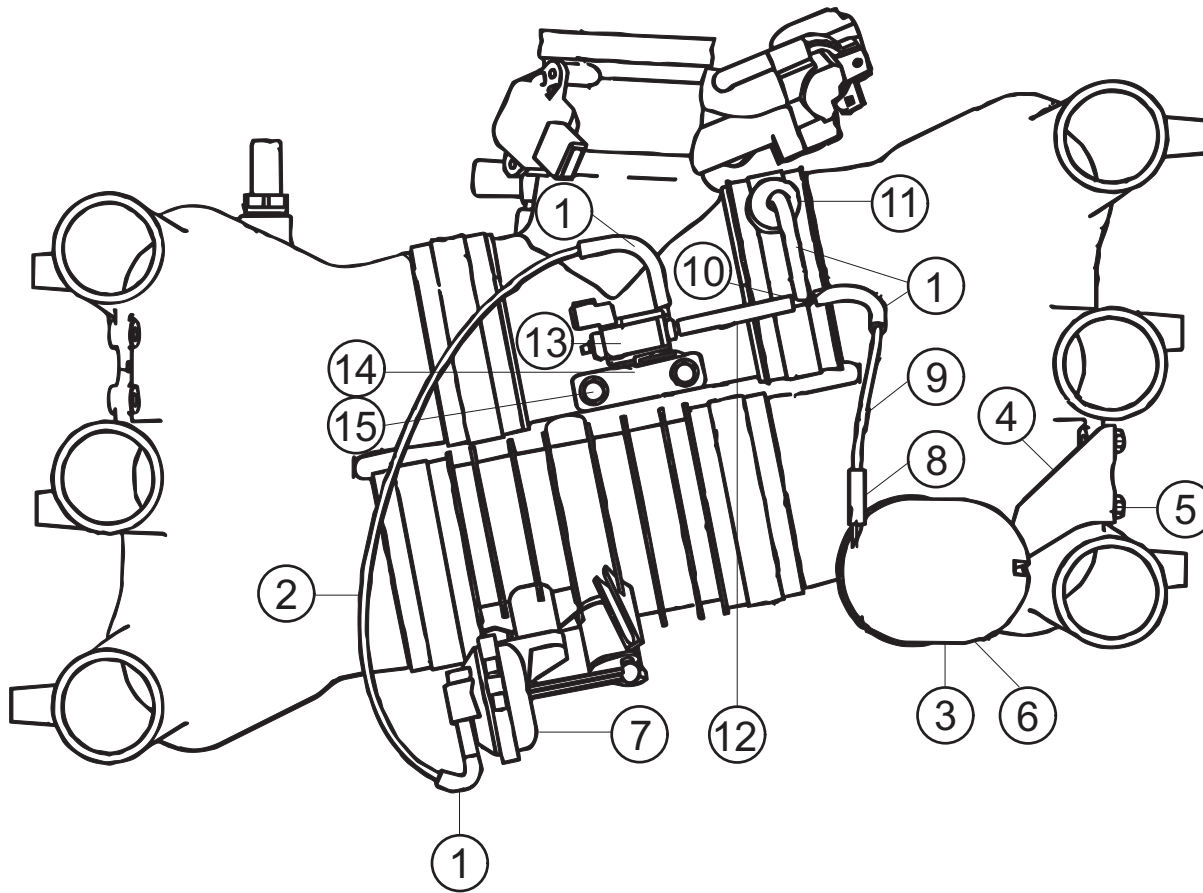
Reinluftschale / clean-air cup



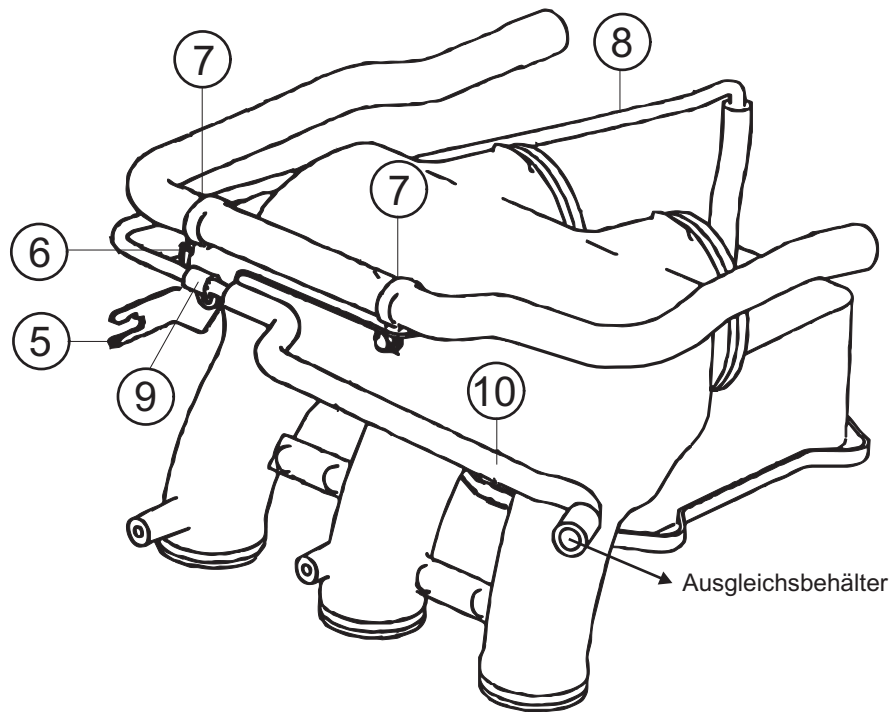
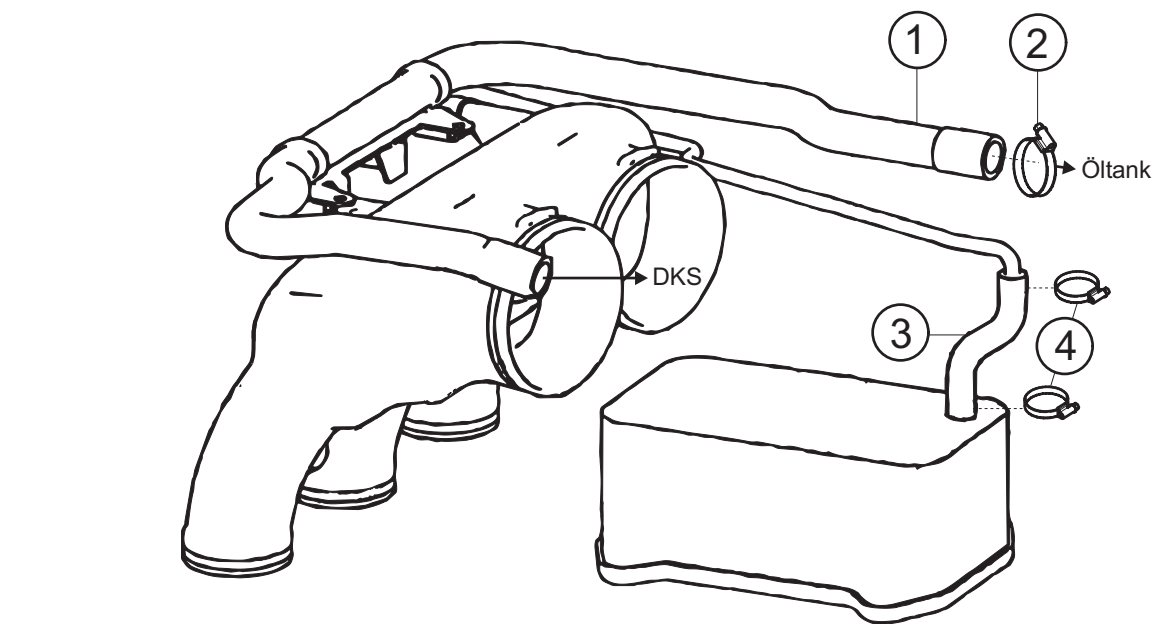
Pos.	Bezeichnung / Description	St./Pc.	Teile Nr./Part no.
1	Reinluftschale <i>clean-air cup</i>	R 1	997.110.153.90
2	SHL-SHE 80-100/9 <i>hose clamp 23-35x9</i>	2	999.512.350.02
3	Gummimuffe <i>rubber sleeve</i>	1	996.110.621.90
4	Gummibüchse <i>rubber bush</i>	2	999.703.478.40
5	Temperatursensor <i>temperature sensor</i>	1	Kap.9 / chap.9
6	Gummitülle <i>rubber grommet</i>	2	996.110.530.90
7	Gummitülle <i>rubber grommet</i>	1	999.702.126.50
8	Drucksensor <i>pressure sensor</i>	1	Kap.9 / chap.9
9	Kombihalter 9,0 <i>bracket 9,0</i>	1	999.507.975.40
10	Luftfilter <i>air filter</i>	R 1	997.110.131.90

Unterdruck- und Entlüftungsleitungen 1 / vacuum- and ventilation-lines 1

Pos.	Bezeichnung / Description	St./Pc	Teile Nr./Part no.
1	Schlauchbogen <i>curved hose</i>	4	928.574.717.05
2	Rohr L=280 4x1 <i>pipe l=280 4x1</i>	1	999.181.380.40
3	Unterdruckbehälter <i>vacuum tank</i>	1	993.110.140.03
4	Halter für Unterdruckbehälter <i>bracket for vacuum tank</i>	R 1	996.110.628.93
5	6RD-SHR M6x12 <i>torx screw M6x12</i>	R 2	900.385.041.01
6	LI-SHR 5,0x22 <i>oval-head screw 5,0x22</i>	2	999.919.115.02
7	Unterdruckdose <i>vacuum cell</i>	1	993.110.462.02
8	Verbindungsschlauch L=28 <i>pipe l=28 3,5x2,0</i>	1	999.239.040.40
9	Rohr L=90 <i>tube l=90</i>	1	900.918.057.40
10	T-Stück 4 <i>T-piece</i>	1	999.137.004.40
11	Rückschlagventil <i>non-return valve</i>	1	964.110.950.01
12	Schlauch L=60 <i>hose</i>	R n.B.	999.239.031.42
13	Umschaltventil (elektrisch) <i>change over valve (electrical)</i>	1	996.605.123.01
14	Halter Umschaltventil Resoklappe <i>valve bracket</i>	1	996.110.515.92
15	6RD-SHR M6x12 <i>torx screw M6x12</i>	R 2	900.385.041.01

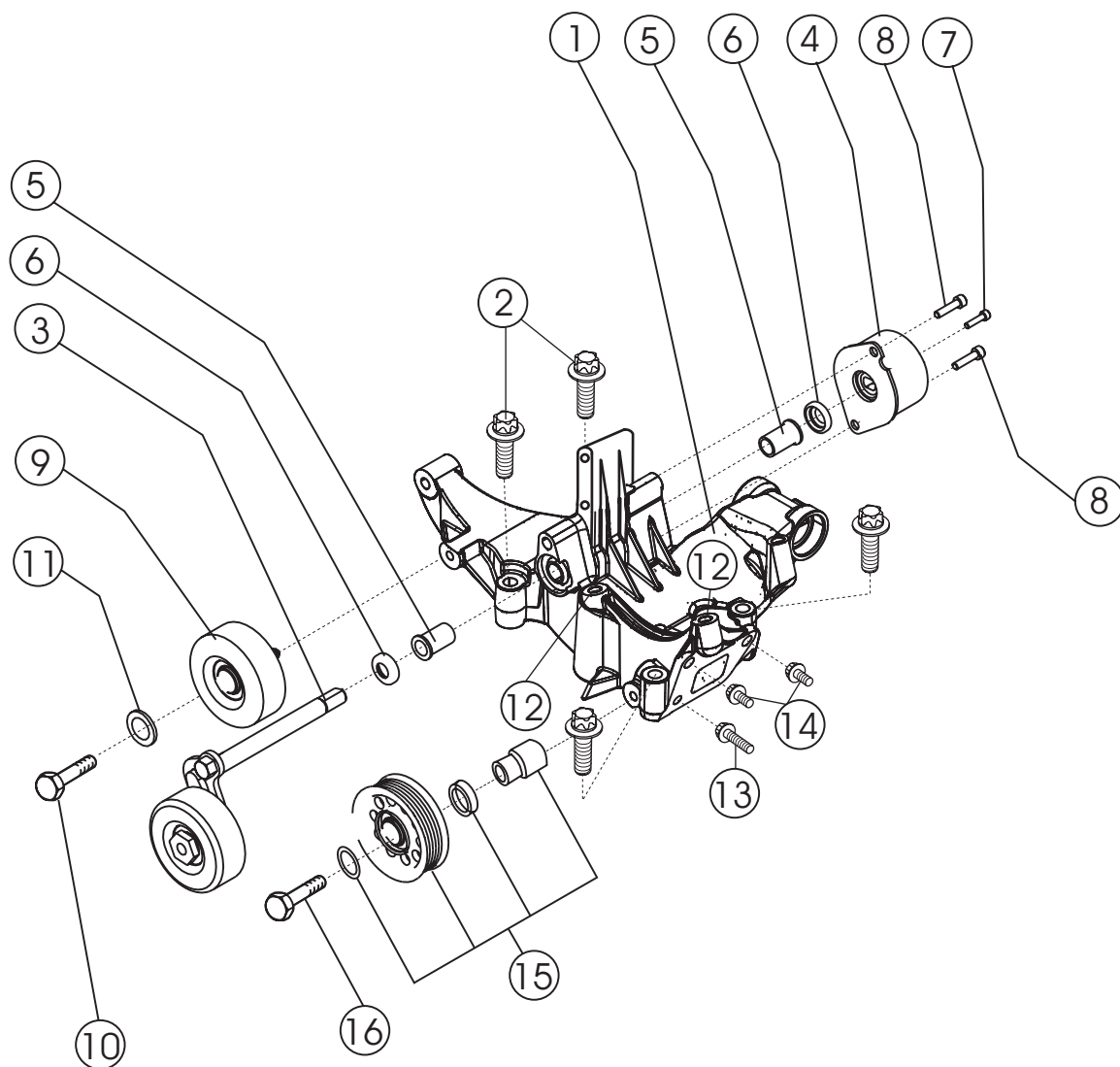


Unterdruck- und Entlüftungsleitungen 2 / vaccum- and ventilation-lines 2



Pos.	Bezeichnung / Description	St./Pc	Teile Nr./Part no.
1	Entlüftungsschlauch Öltank ventilation hose oil tank	1	996.207.137.91
2	SHL-SHE 23-35x9 hose clamp 23-35x9	2	999.512.252.02
3	Entlüftungsschlauch Kühlwasser ventilation-hose cooling water	R 1	996.106.537.94
4	SHL-SHE 8-16x9 hose clamp 8-16x9	2	999.512.427.02
5	Kombihalter bracket	R 1	996.110.677.91
6	6RD-SHR M6x12 torx screw M6x12	R 2	900.385.041.01
7	Omega-Clip schwarz 23,5 mm omega clip black 23,5 mm	2	321.971.847.B
8	Entlüftungsrohr ventilation tube	R 1	996.106.229.92
9	Halteschelle D1 8x15 retaining clamp	1	999.511.153.02
10	Entlüftungsschlauch Kühlwasser ventilation-hose cooling water	1	996.106.531.91

Nebenaggregateträger + Keilrippenriemen / accessory bracket + ribbed V-belt

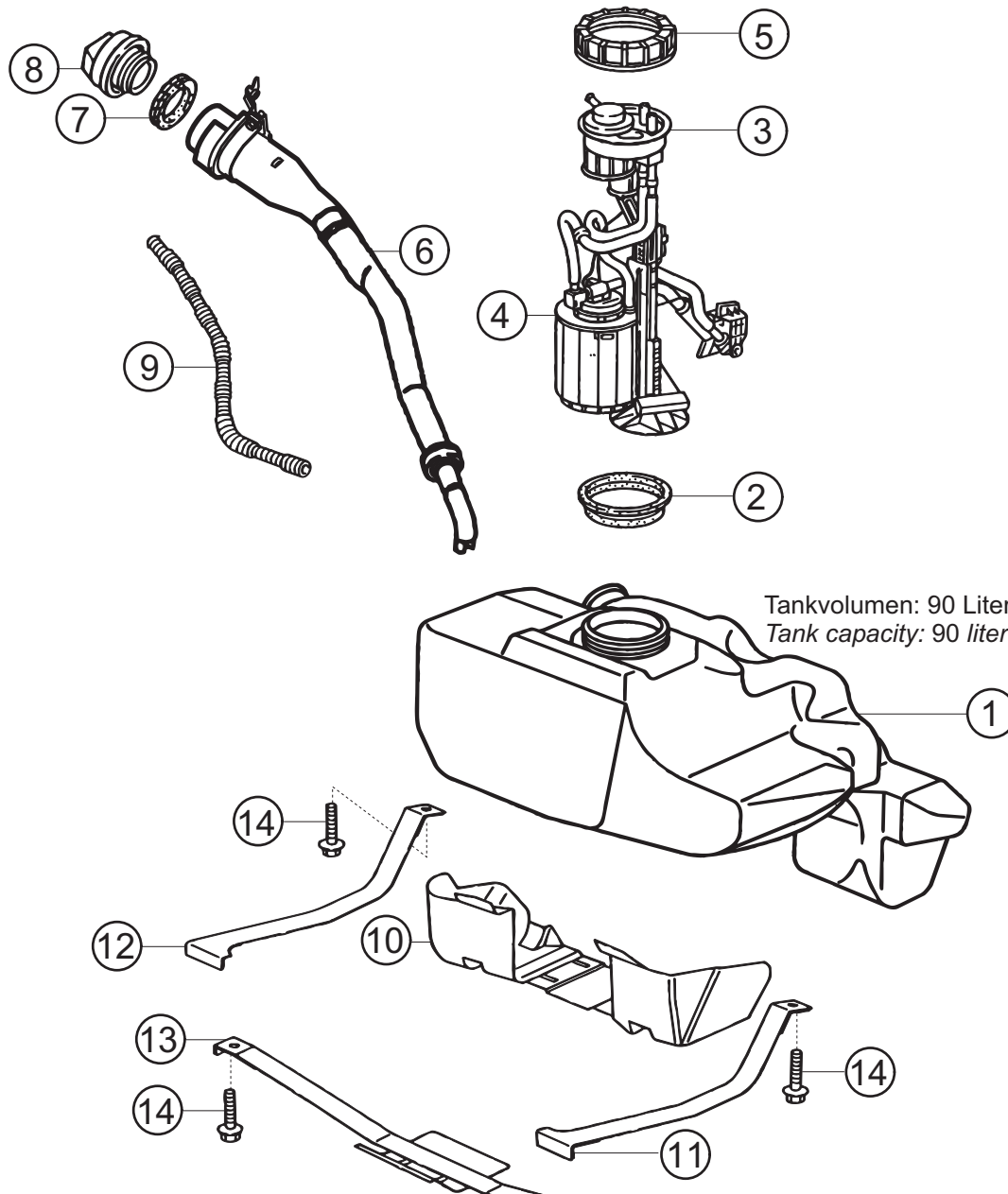


Pos.	Bezeichnung / Description	St./Pc	Teile Nr./Part no.
1	Nebenaggregateträger accessory bracket	1	996.115.112.70
o.B.	Keilrippenriemen ribbed V-belt	R 1	996.102.151.9A
2	6RD-SHR M10x60 10.9 torx screw M10x60 10.9	4	900.385.004.01
3	Spannhebel + Rolle tension lever + pulley	R 1	996.115.013.71
4	Riemenspannerdose bell tensioner box	R 1	996.115.221.72
5	Buchse bush	2	996.102.167.50
6	Staubkappe dust cap	2	996.102.365.50
7	ZYL-SHR M6x16 8.8 fillister screw M6x16 8.8	1	999.218.005.02
8	ZYL-SHR M8x16 fillister screw M8x16	R 2	900.067.131.03
9	Z-Umlenkrolle idler pulley assembly	R 1	996.115.015.71
10	6KT-SHR M10x55 8.8 hex screw M10x55 8.8	1	900.074.063.02
11	Abdeckscheibe cover disk	1	996.102.125.53
12	Passhülse 11M6,0x10 sleeve 11M6,0x10	4	999.095.063.02
13	6RD-SHR M8x55 torx screw M8x55	R 1	900.385.036.01
14	6RD-SHR M8x25 torx screw M8x25	2	900.385.098.01
15	Umlenkrolle komplett idler pulley assembly	R 1	996.115.015.9A
16	6KT-SHR M10x55 hex screw M10x55	1	900.074.063.02

Tank und Abgasanlage / Fuel and exhaust system

- Kraftstofftank / *fuel tank*
- Kraftstoffleitungen vorne / *fuel pipes front*
- Kraftstoffleitungen hinten + Filter / *fuel pipes rear + filter*
- Abgasanlage / *exhaust system*

Kraftstofftank / fuel tank

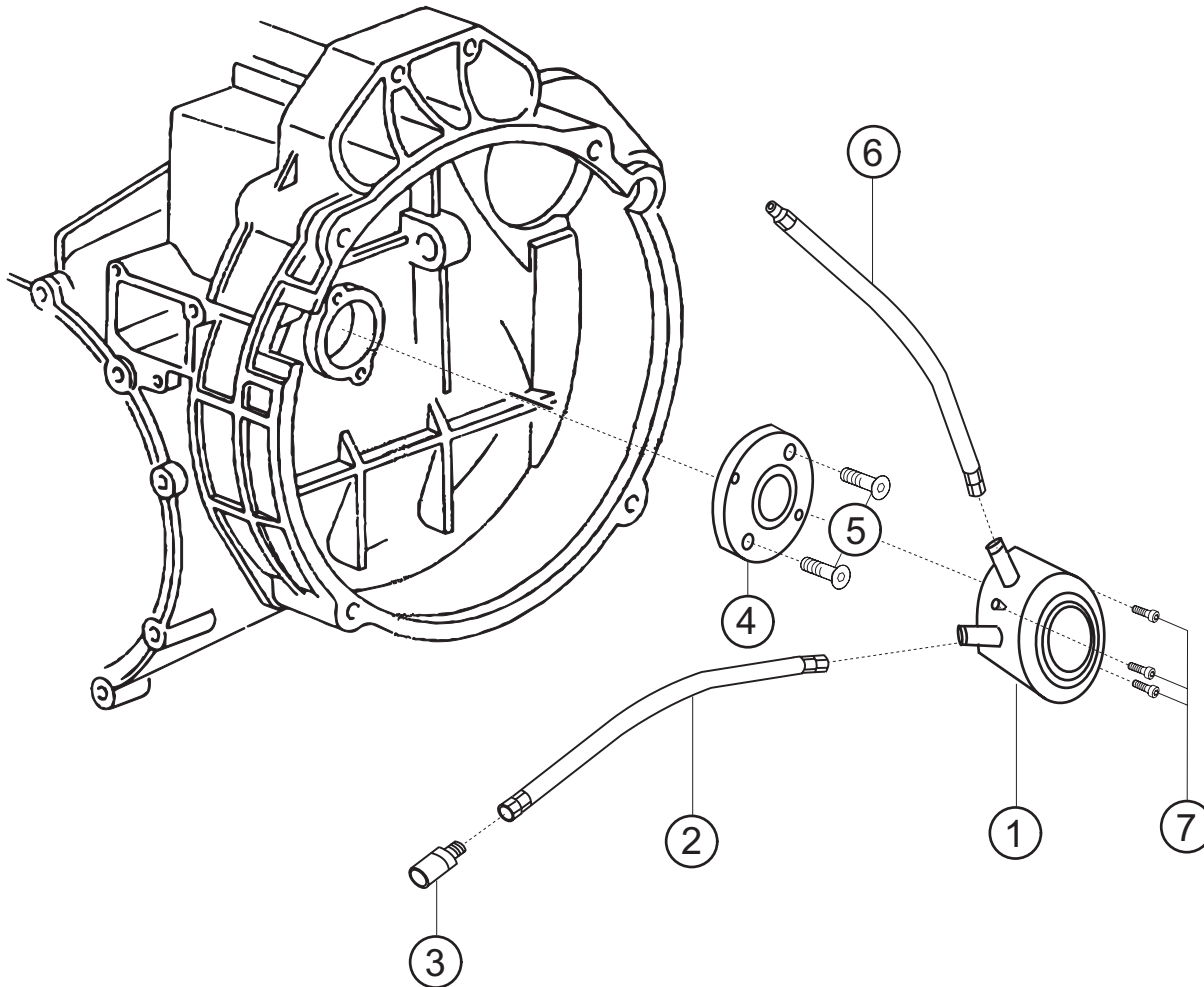


Pos.	Bezeichnung / Description	St./Pc	Teile Nr./Part no.
1	Kraftstofftank 90L mit Pumpe <i>fuel tank 90l with pump</i>	R 1	997.201.013.90
2	Dichtring <i>sealing ring</i>	1	997.201.733.00
3	Fördereinheit komplett(incl.Pos.4) <i>fuel pump assembly(incl.Pos.4)</i>	R 1	997.620.029.00
4	Förderpumpe <i>fuel pump</i>	R 1	997.620.129.00
5	Überwurfmutter <i>union nut</i>	1	997.201.623.00
6	Einfüllstutzen <i>filler neck</i>	1	997.201.043.10
7	Dichtring <i>sealing ring</i>	1	191.201.557
8	Tankverschluß <i>tank cap</i>	1	996.201.241.03
9	Ablaufschlauch <i>drain hose</i>	1	996.201.153.00
10	Unterschutz <i>protection part</i>	R 1	997.201.331.90
11	Spannband links <i>clamping band left</i>	1	997.201.105.00
12	Spannband rechts <i>clamping band right</i>	1	997.201.106.00
13	Spannband <i>clamping band</i>	1	997.201.107.00
14	KOMBI-SHR M8x40 <i>screw+washer M8x40</i>	4	900.075.479.09
o.B.	Entlüftungsschlauch <i>ventilation hose</i>	R 1	996.201.152.90
o.B.	Klemme für Entlüftungsschlauch <i>clamp for ventilation hose</i>	1	999.512.568.02
o.B.	Tankgeber <i>fuel sender</i>	1	997.620.833.00

Getriebe / transmission

- Kupplung / *clutch*
- Kupplungsauslösung / *clutch release*
- Kompletgetriebe / *gearbox complete*
- Ölkühlung / *oil cooling system*
- Getriebegehäuse / *transmission case*
- Rädergehäuse + Getriebedeckel / *gear housing + transmission cover*
- Radsätze / *set of gears*
- Räder und Lager / *gears and bearings*
- Schaltstangen und Gabeln / *shift rods and forks*
- Schaltmechanik sequentiell / *gearshift mechanism sequential*
- Wählhebel + Rückwärtsgangauslösung / *selector lever + reverse-gear release unit*
- Sperrdifferenzial / *limited slip differential*
- Radsatzschmierung / *lubrication for gear*
- Getriebeträger / *gearbox bracket*

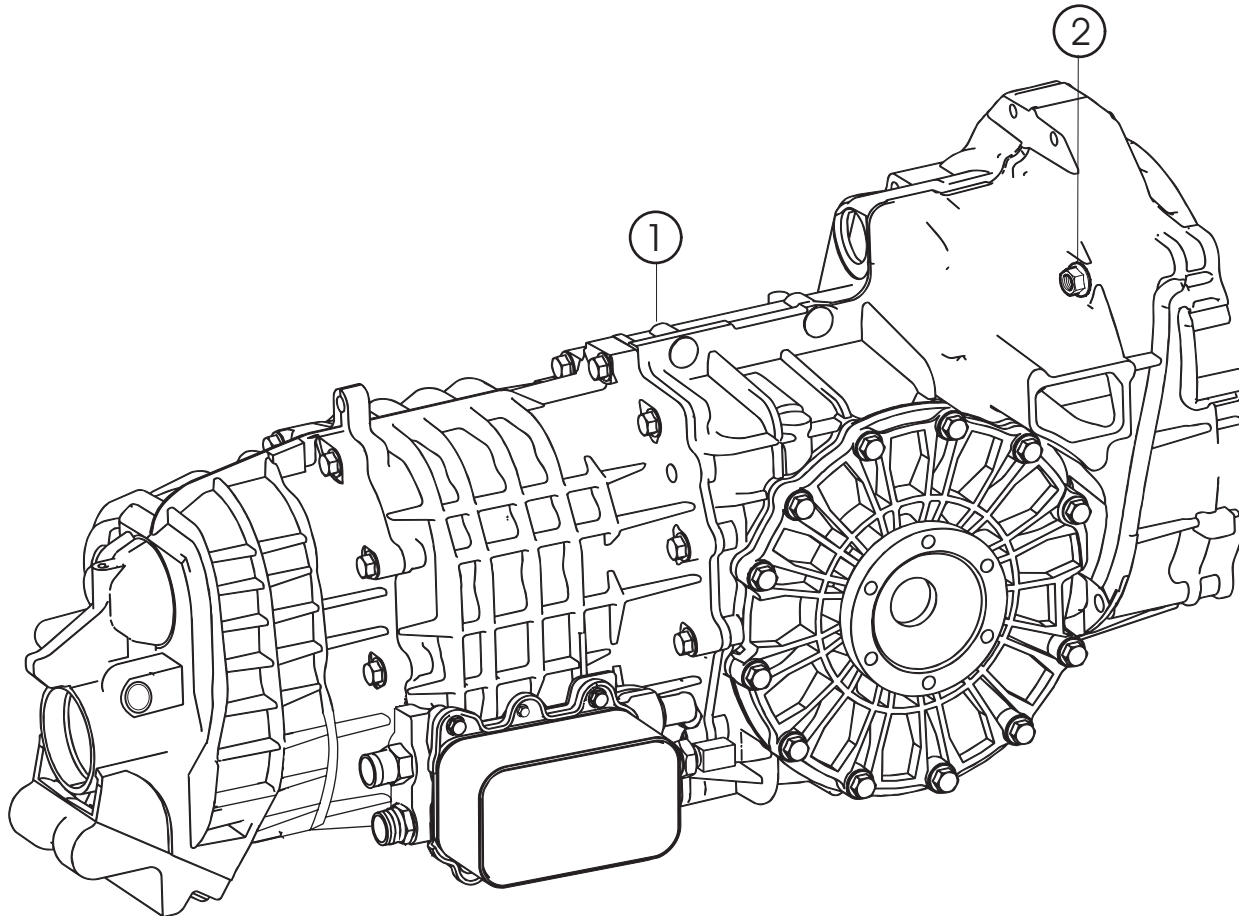
Kupplungsauslösung / *clutch release*



Pos.	Bezeichnung / Description	St./Pc	Teile Nr./Part no.
1	Zentralausrücker <i>central clutch operator</i>	R 1	997.116.018.90
2	Druckleitung <i>pressure line</i>	R 1	997.423.463.90
3	Kupplung <i>line coupler</i>	R 1	999.230.564.30
4	Aufnahmeadapter <i>attachment adapter</i>	R 1	997.116.318.90
5	SENK-SHR M6X12 <i>countersunk screw M6X12</i>	R 2	900.249.050.07
6	Entlüftungsleitung <i>ventilation line</i>	R 1	997.423.461.90
7	ZYL-SHR M6X8 <i>fillister screw M6X8</i>	R 3	900.067.418.01

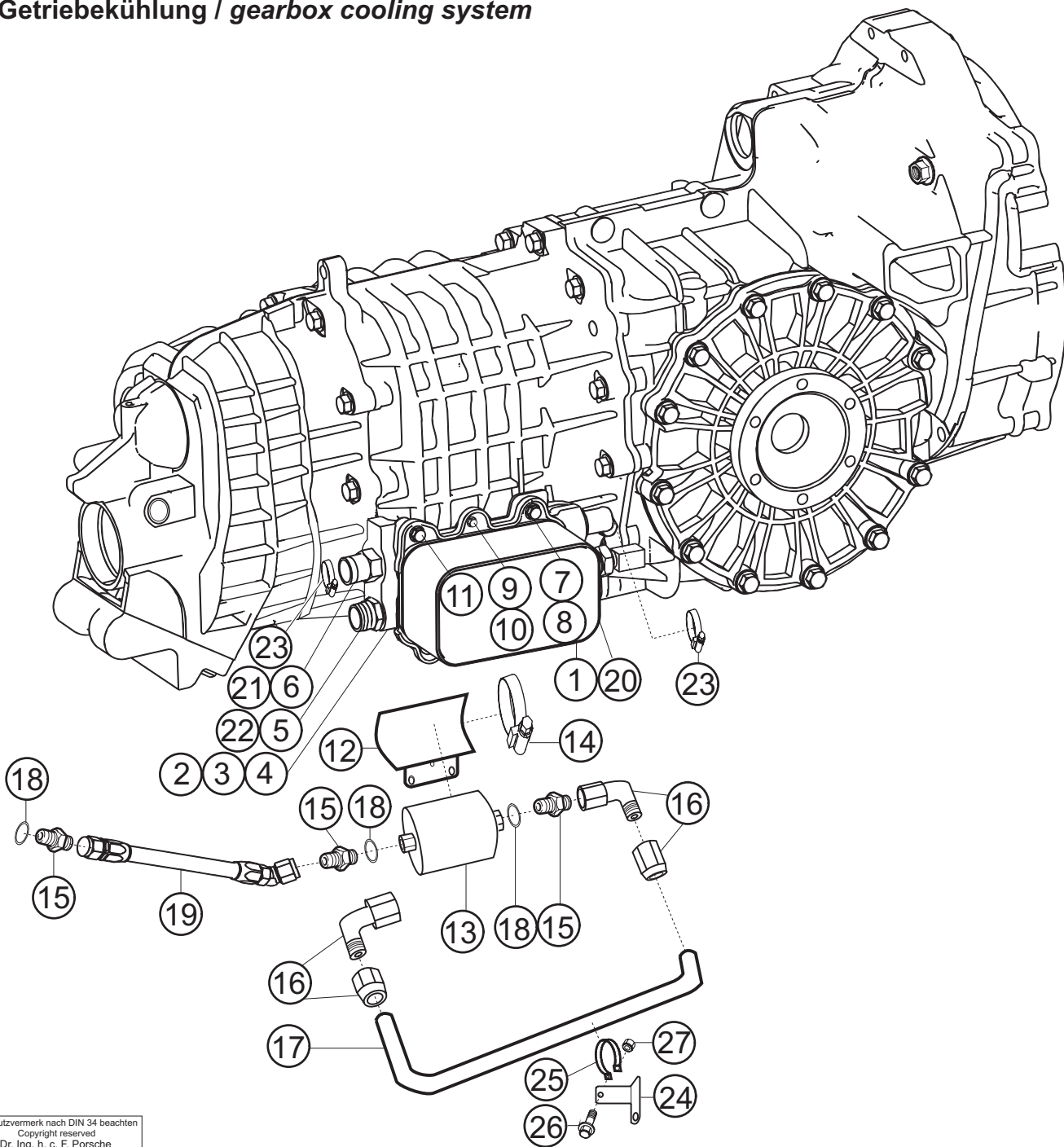
Komplettgetriebe / gearbox assembly

Pos.	Bezeichnung / Description	St./Pc.	Teile Nr./Part no.
1	Komplettgetriebe sequentiell <i>gearbox assembly</i>	R 1	997.300.020.60
o.B.	Dichtungssatz Getriebe <i>gearbox sealing set</i>	R 1	996.300.913.90
2	6KT-MU M10 <i>hex nut M10</i>	4	900.377.011.09



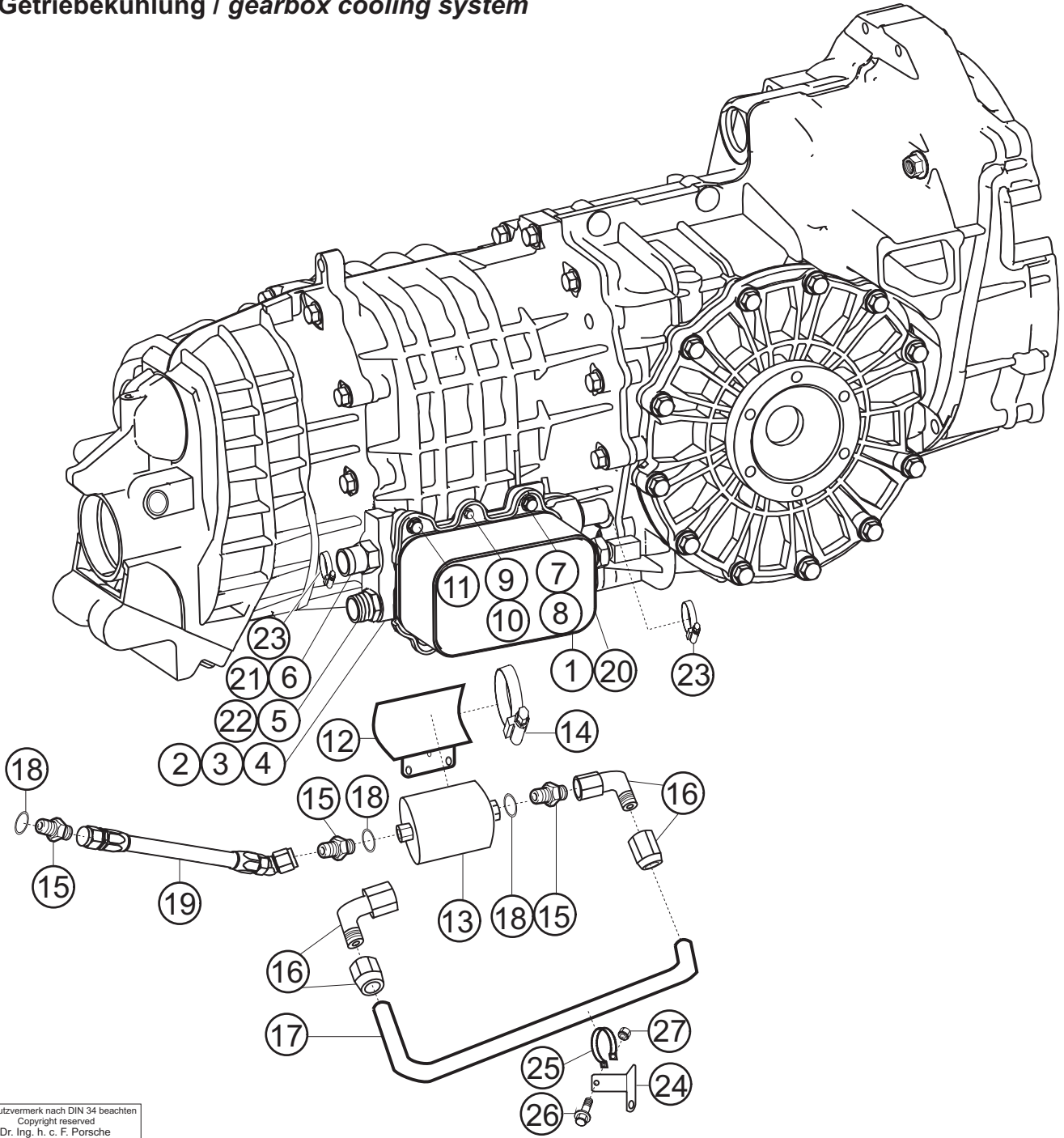
Achtung: Komplettgetriebe ohne Zentralausrücker
 Attention: assembled gearbox without clutch operator

Getriebekühlung / gearbox cooling system



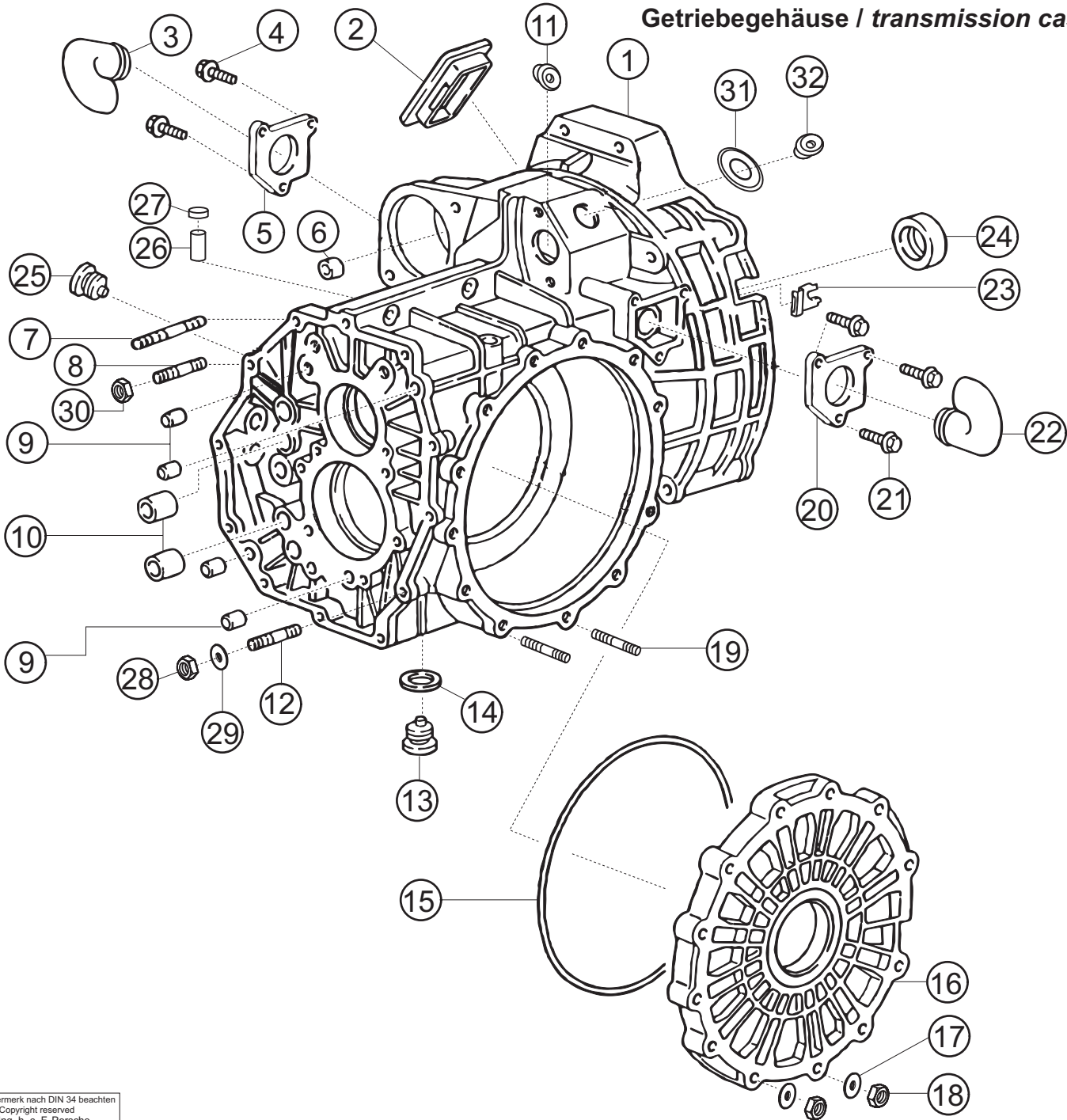
Pos.	Bezeichnung / Description	St./Pc	Teile Nr./Part no.
1	Wärmetauscher incl. Konsole <i>heat exchanger incl. console</i>	R 1	996.307.015.9B
o.B.	Wärmetauscher <i>heat exchanger</i>	R 1	996.307.209.88
o.B.	Wärmetauscherkonsole <i>heat exchanger console</i>	R 1	996.307.201.9A
o.B.	Gummidichtring 20,0x3,55 <i>rubber sealing ring 20,0x3,55</i>	4	900.331.021.40
2	Halter Wärmetauscher <i>heat exchanger bracket</i>	R 1	996.307.141.88
3	FL-KPF-SHR M6X16 <i>pan-head screw M6X16</i>	2	999.073.103.09
4	6KT-SHR M8X20 <i>hex screw M8X20</i>	2	900.378.017.09
5	Stutzen 16X1,5-8D <i>neck 16X1,5-8D</i>	R 1	999.105.034.30
6	Stutzen Wasseranschluß M22 <i>hose neck M22</i>	R 2	996.307.210.8A
7	FL-KPF-SHR M6X30 <i>pan-head screw M6X30</i>	1	999.073.110.09
8	6KT-MU M6 <i>hex nut M6</i>	1	900.380.003.02
9	ZYL-SHR M6X35 <i>fillister screw M6X35</i>	1	900.067.316.02
10	Distanzhülse WT - Filterhalter <i>distance sleeve</i>	R 1	996.307.326.9A
11	FL-KPF-SHR M6X16 <i>pan-head screw M6X16</i>	2	999.073.103.09
12	Halter Ölfilter <i>oil filter support</i>	R 1	996.307.030.9B
13	Ölfilter <i>oil filter</i>	R 1	996.307.324.00
14	SHL-SHE 40-60/9 <i>hose clamp 40-60/9</i>	1	999.512.348.02
15	Stutzen 16X1,5/8 Dash <i>connector 16X1,5/8 Dash</i>	R 3	999.105.034.30
16	Anschlußwinkelstück <i>angle piece</i>	R 2	996.307.334.9B
17	Rohrleitung Öl <i>oil tube</i>	R 1	996.307.335.9B
18	Dichtring A16X22 <i>sealing ring A16X22</i>	3	900.123.152.30
19	Druckölschlauch Dash 8 <i>pressure oil hose</i>	R 1	996.307.333.95
20	ZYL-SHR M6X55 <i>fillister screw M6X55</i>	1	900.186.030.02
21	Dichtring 22X77 <i>sealing ring 22X77</i>	2	900.123.118.30

Getriebekühlung / gearbox cooling system



Pos.	Bezeichnung / Description	St./Pc	Teile Nr./Part no.
22	Dichtring 16X22 sealing ring 16X22	1	900.123.019.30
23	SHL-SHE 16-25 hose clamp 16-25	2	999.512.676.00
24	Halter support	1	477.971.885
25	Halteschelle retaining clamp	1	999.511.069.02
26	6KT-SHR M6X12 hex screw M6X12	1	900.378.036.09
27	6KT-MU M6 hex nut M6	1	900.377.010.09

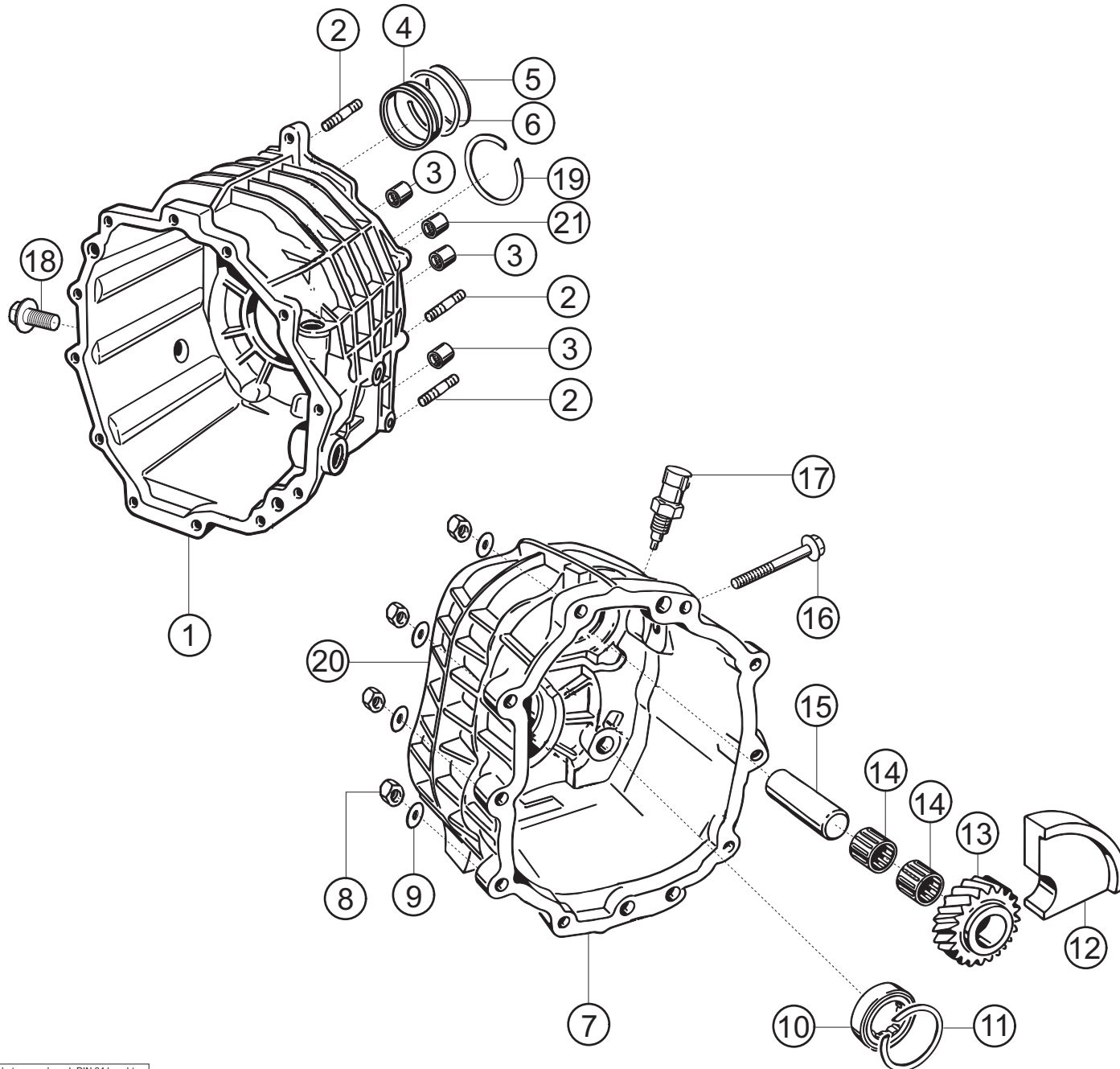
Getriebegehäuse / transmission case



Pos.	Bezeichnung / Description	St./Pc	Teile Nr./Part no.
1	Getriebegehäuse vormontiert <i>transmission case prefabricated</i>	R 1	996.301.010.60
2	Verschlussdeckel <i>closing cover</i>	1	950.301.151.01
3	Stutzen <i>ventilation neck</i>	1	993.116.610.00
4	6KT-SHR M6X16 <i>hex screw M6X16</i>	2	900.378.035.09
5	Flansch <i>flange</i>	1	996.116.710.00
6	Buchse 12,1X14 <i>bushing 12,1X14</i>	1	999.531.017.10
7	Stift-SHR M8X28 <i>stud M8X28</i>	10	999.062.009.02
8	Stift-SHR M8X18 <i>stud M8X18</i>	1	999.062.270.02
9	Zylinderstift 12X14 <i>cylindrical pin 12X14</i>	4	900.012.144.00
10	Kugelbuchse 15X21X22 <i>ball bushing 15X21X22</i>	4	996.303.513.00
11	Gummitülle <i>rubber grommet</i>	1	999.702.193.40
12	Stift-SHR M8X25 <i>stud M8X25</i>	1	999.062.008.02
13	Verschlusschraube M22X1,5 <i>screw plug M22X1,5</i>	1	999.063.008.02
14	Dichtring A 22X27 <i>sealing ring A22X27</i>	1	900.123.118.30
15	O-Ring 205X3,5 <i>o-ring 205X3,5</i>	R 1	999.707.480.40
16	Getriebedeckel <i>transmission cover</i>	1	996.301.312.51
17	Scheibe A8,4 <i>plain washer A8,4</i>	12	900.025.007.02
18	6KT-MU M8 <i>hex nut M8</i>	12	900.076.025.02
19	Stift-SHR M8X35 <i>stud M8X35</i>	12	999.062.010.02
20	Flansch <i>flange</i>	1	996.116.612.00
21	6KT-SHR M6X16 <i>hex screw M6X16</i>	3	900.378.035.09
22	Stutzen <i>ventilation neck</i>	1	993.116.610.00
23	Verschlusskappe <i>closure cap</i>	1	993.116.630.00
24	Wellendichtring 26,5X40 <i>shaft sealing ring</i>	1	999.113.326.41

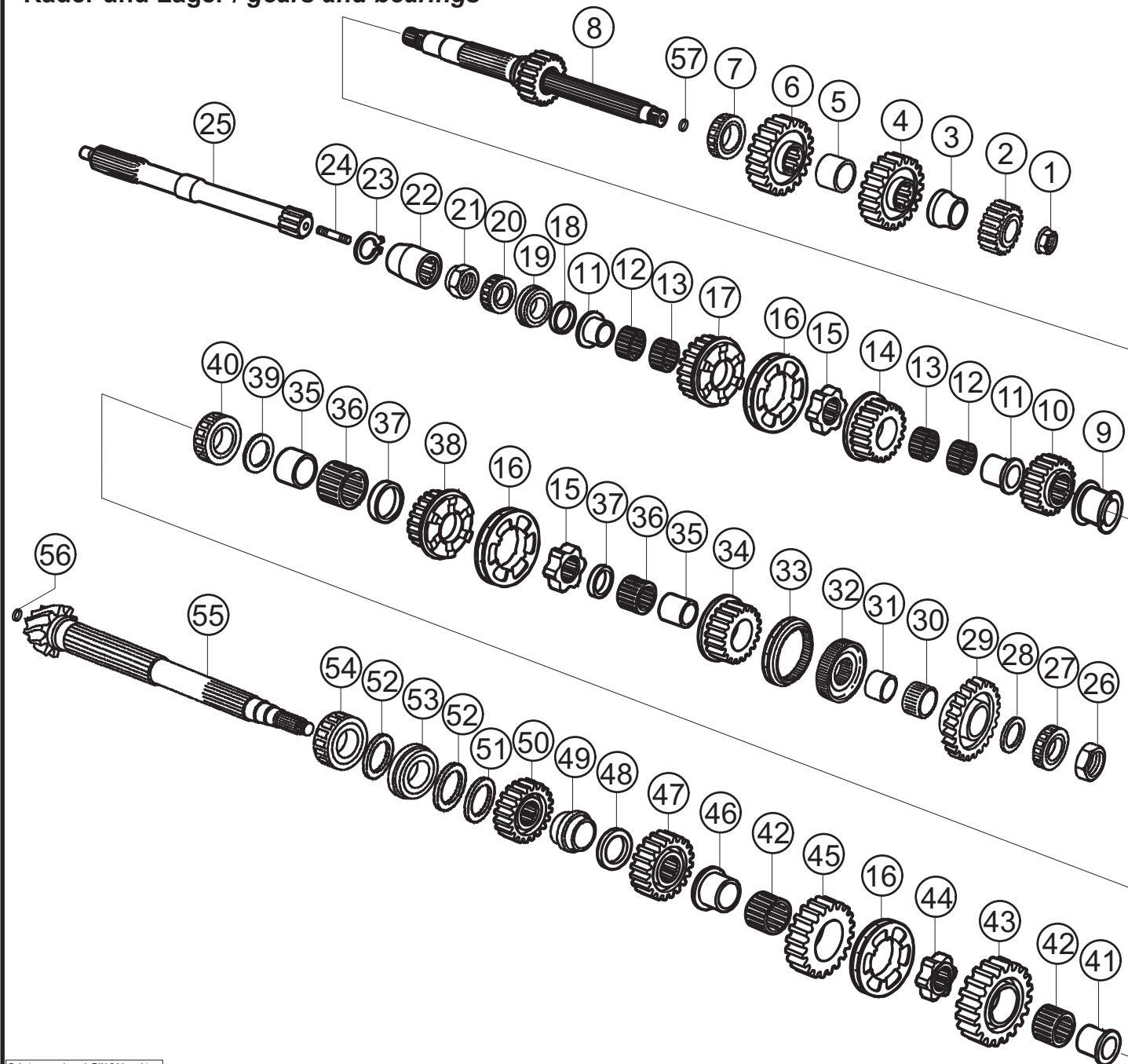
Schutzvermerk nach DIN 34 beachten
Copyright reserved
Dr. Ing. h. c. F. Porsche
Aktiengesellschaft

Rädergehäuse + Getriebedeckel / gear housing + transmission cover



Pos.	Bezeichnung / Description	St./Pc.	Teile Nr./Part no.
1	Rädergehäuse vormontiert gear housing prefabricated	R 1	996.301.011.61
2	STIFT-SHR M8X28 stud M8X28	10	999.062.009.02
3	Kugelbuchse 15X21X22 ball bushing 15X21X22	3	996.303.513.00
4	Zylinderrollenlager 30X62X16 cylindrical roller bearing	1	999.110.181.00
5	Sprengring SP 62 circlip SP62	1	900.111.001.00
6	Sprengring 68X1,50 circlip 68X1,50	1	999.152.031.01
7	Getriebedeckel gearbox cover	R 1	PAK 996.301.301.9A
8	6KT-MU M8 hex nut M8	12	900.076.025.02
9	U-SHB A8,4 plain washer A8,4	12	900.025.007.02
10	Zylinderrollenlager 25X52X15 cylindrical roller bearing	1	999.110.194.01
11	Sprengring 52X1,5 circlip 52X1,5	1	999.152.062.01
12	Lagersegment R-Gang bearing bracket	1	996.302.225.51
13	Rücklaufgrad reverse gear	1	-----
14	Nadelkäfig 20X26X17 needle cage 20X26X17	2	996.302.224.00
15	Bolzen Rücklaufgrad bolt for reverse gear	1	996.302.228.50
16	6KT-SHR M8X55 hex screw M8X55	1	996.302.223.00
17	Schalter Rückwärtsgang switch for reverse gear	1	996.606.103.01
18	Verschlusschraube closing screw	R 1	900.124.007.02
19	Sprengring SP 80 circlip SP 80	1	N .100.709.01
20	Verschlussstopfen closure plug	1	999.501.023.30
21	Nadelhülse 15X21X12 needle bush 15X21X12	1	999.201.006.00

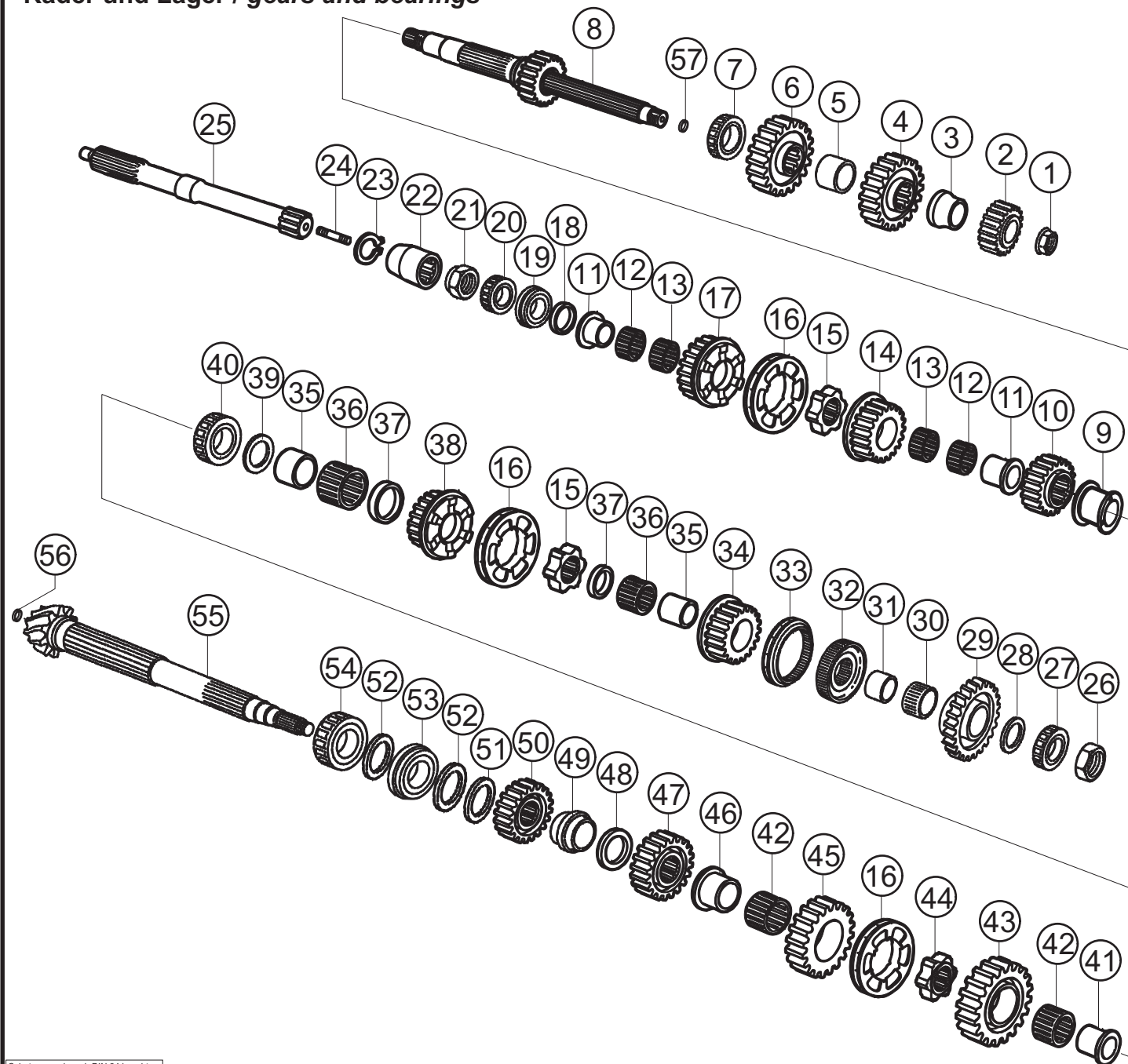
Räder und Lager / gears and bearings



Pos.	Bezeichnung / Description	St./Pc	Teile Nr./Part no.
1	6KT-BUND-MU 22X1,5 hex nut 22X1,5	1	999.034.035.00
2	Festrad RW-Gang fixed gear reverse gear	1	-----
3	Distanzbüchse spacer bush	R 1	996.302.270.00
4	Festrad 5.Gang fixed gear 5.gear	1	-----
5	Distanzbüchse 5.+6.Gang spacer bush 5.+6.gear	1	950.302.268.12
6	Festrad 6.Gang fixed gear 6.gear	1	-----
7	ZYL-RO-LAG 30X62X16 cylindrical roller bearing	1	999.110.181.00
8	Antriebswelle drive shaft	1	-----
9	Distanzhülse 1.+2.Gang spacer sleeve 1.+2.gear	R 1	996.302.397.00
10	Festrad 2.Gang fixed gear 2.gear	1	-----
11	Bundbuchse 3.+4.Gang hat bush 3.+4.gear	R 2	996.302.394.01
12	Nadelkranz 3.+ 4.Gang needle crown 3.+4. Gang	R 2	996.302.256.00
13	Nadelkranz 3.+ 4. Gang needle crown 3.+4. Gang	R 2	996.302.255.00
14	Losrad 3.Gang idler gear 3.gear	1	-----
15	Mitnehmer 3.+6.Gang driver 3.+6.Gang	R 2	996.304.683.00
16	Klauenmuffe claw collar	R 3	996.304.691.00
17	Losrad 4.Gang idler gear 4.gear	1	-----
18	Distanzring 4. Gang spacer ring 4. gear	R 1	996.302.367.00
19	SH-KUG-LAG 30X62X16 angular ball bearing	1	999.052.094.00
20	ZYL-RO-LAG 30X62X20 cylindrical roller bearing	1	999.110.117.01
21	6KT-MU 30X1,5 hex nut 30X1,5	1	999.034.033.00
22	Verbindungs-muffe connecting sleeve	R 1	996.302.195.00
23	Sicherungsring lock ring	R 1	996.302.711.00
24	STIFT-SHR stud	R 1	996.302.710.00
			03-03-01

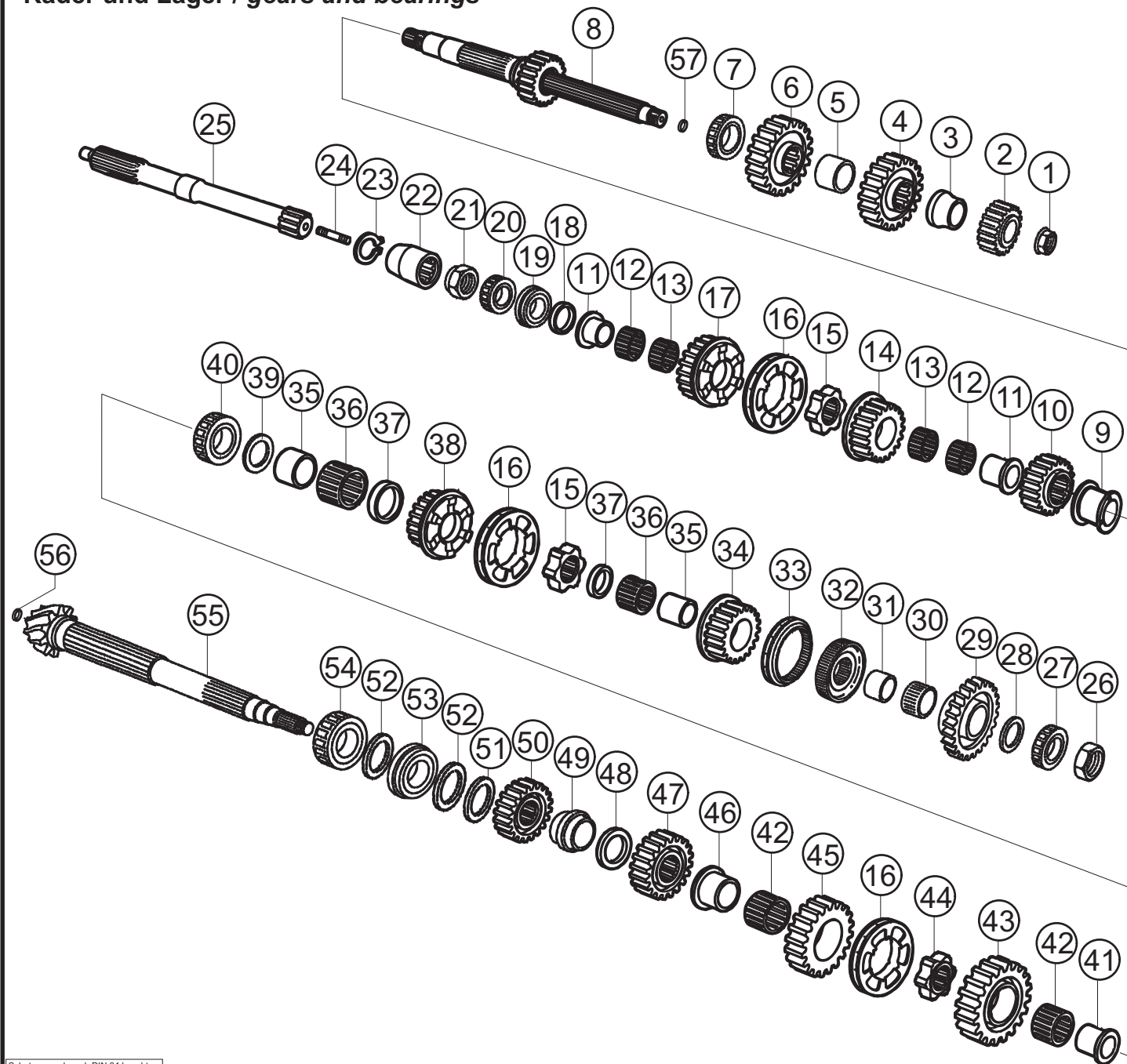
Schutzvermerk nach DIN 34 beachten
Copyright reserved
Dr. Ing. h. c. F. Porsche
Aktiengesellschaft

Räder und Lager / gears and bearings



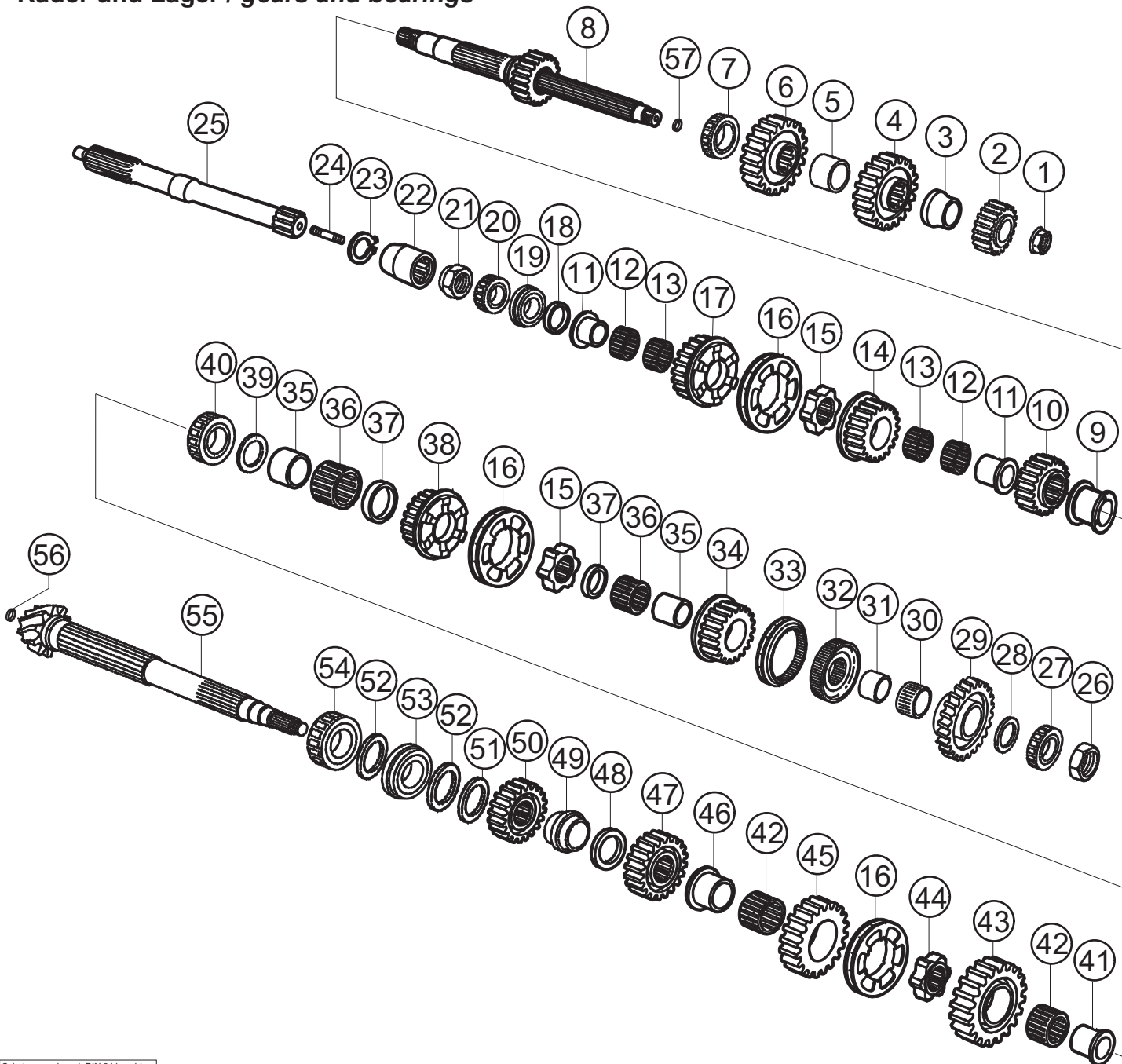
Pos.	Bezeichnung / Description	St./Pc	Teile Nr./Part no.
25	Antriebswelle <i>drive shaft</i>	R 1	996.302.110.00
26	6KT-BUND-MU M30X1,25 <i>hex nut M30X1,25</i>	1	999.034.034.00
27	ZYL-RO-LAG 30X62X16 <i>cylindrical roller bearing</i>	1	999.110.192.00
28	Anlaufscheibe RW-Gang <i>stop disk reverse gear</i>	1	950.302.296.07
29	Losrad RW-Gang <i>idler-gear reverse gear</i>	1	-----
30	Nadellag. RW-Gang 32X45X27,2 <i>needle bearing reverse gear</i>	R 1	999.201.253.50
31	Innenring Lager RW-Gang <i>inner ring bearing reverse gear</i>	1	in P.30 enthalten
32	Führungsmuffe RW-Gang <i>guiding sleeve reverse gear</i>	R 1	996.304.221.50
33	Schaltmuffe RW-Gang <i>selector sleeve reverse gear</i>	R 1	950.304.231.20
34	Losrad 5.Gang <i>idler gear 5.gear</i>	1	-----
35	Innenring 5.+6.Gang <i>inner ring 5.+6.gear</i>	R 2	996.302.395.00
36	Nadelkranz 5.+6.Gang <i>needle crown 5.+6.gear</i>	R 2	996.302.247.00
37	Distanzring 5.+6.Gang <i>spacer ring 5.+6.gear</i>	R 2	996.302.385.00
38	Losrad 6.Gang <i>idler gear 6.gear</i>	1	-----
39	Anlaufscheibe 1.+6.Gang <i>stop disk 1.+6.gear</i>	1	950.302.295.07
40	ZYL-ROL-LAG 35X80X18 <i>cylindrical roller bearing</i>	1	999.110.109.01
41	Bundbuchse 1.Gang <i>hat bush 1.gear</i>	R 1	996.302.391.00
42	Nadelkranz 1.+2.Gang <i>needle crown 1.+2.gear</i>	R 2	996.302.250.00
43	Losrad 1.Gang <i>idler gear 1.gear</i>	1	-----
44	Mitnehmer 1.+2.Gang <i>driver 1.+2.gear</i>	R 1	996.304.681.00
45	Losrad 2.Gang <i>idler gear 2.gear</i>	1	-----
46	Bundbuchse 2.Gang <i>hat bush 2.gear</i>	R 1	996.302.392.00
47	Festrاد 3.Gang <i>fixed gear 3.gear</i>	1	-----
48	Distanzring 3.+4.Gang <i>spacer ring 3.+4.gear</i>	R 1	996.302.381.00

Räder und Lager / gears and bearings



Pos.	Bezeichnung / Description	St./Pc	Teile Nr./Part no.
49	Antriebsrad Ölpumpe <i>drive gear oil-pump</i>	1	964.307.331.01
50	Festrad 3.+4.Gang <i>fixed gear 3.+4.gear</i>	1	-----
51	Passscheibe 40X50X0,40 <i>fit washer</i>	1	996.302.151.50
	Passscheibe 40X50X0,45 <i>fit washer</i>	1	996.302.151.51
	Passscheibe 40X50X0,50 <i>fit washer</i>	1	996.302.151.52
	Passscheibe 40X50X0,55 <i>fit washer</i>	1	996.302.151.53
	Passscheibe 40X50X0,60 <i>fit washer</i>	1	996.302.151.54
	Passscheibe 40X50X0,65 <i>fit washer</i>	1	996.302.151.55
	Passscheibe 40X50X0,70 <i>fit washer</i>	1	996.302.151.56
	Passscheibe 40X50X0,75 <i>fit washer</i>	1	996.302.151.63
	Passscheibe 40X50X0,80 <i>fit washer</i>	1	996.302.151.57
	Passscheibe 40X50X0,90 <i>fit washer</i>	1	996.302.151.58
	Passscheibe 40X50X1,00 <i>fit washer</i>	1	996.302.151.59
	Passscheibe 40X50X1,10 <i>fit washer</i>	1	996.302.151.60
	Passscheibe 40X50X1,20 <i>fit washer</i>	1	996.302.151.61
	Passscheibe 40X50X1,30 <i>fit washer</i>	1	996.302.151.62
52	Passscheibe 90X97X0,50 <i>fit washer</i>	n.B.	996.302.163.50
	Passscheibe 90X97X0,55 <i>fit washer</i>	n.B.	996.302.163.51
	Passscheibe 90X97X0,60 <i>fit washer</i>	n.B.	996.302.163.52
	Passscheibe 90X97X0,65 <i>fit washer</i>	n.B.	996.302.163.53
	Passscheibe 90X97X0,70 <i>fit washer</i>	n.B.	996.302.163.54
	Passscheibe 90X97X0,75 <i>fit washer</i>	n.B.	996.302.163.55
	Passscheibe 90X97X0,80 <i>fit washer</i>	n.B.	996.302.163.56
	Passscheibe 90X97X0,85 <i>fit washer</i>	n.B.	996.302.163.57

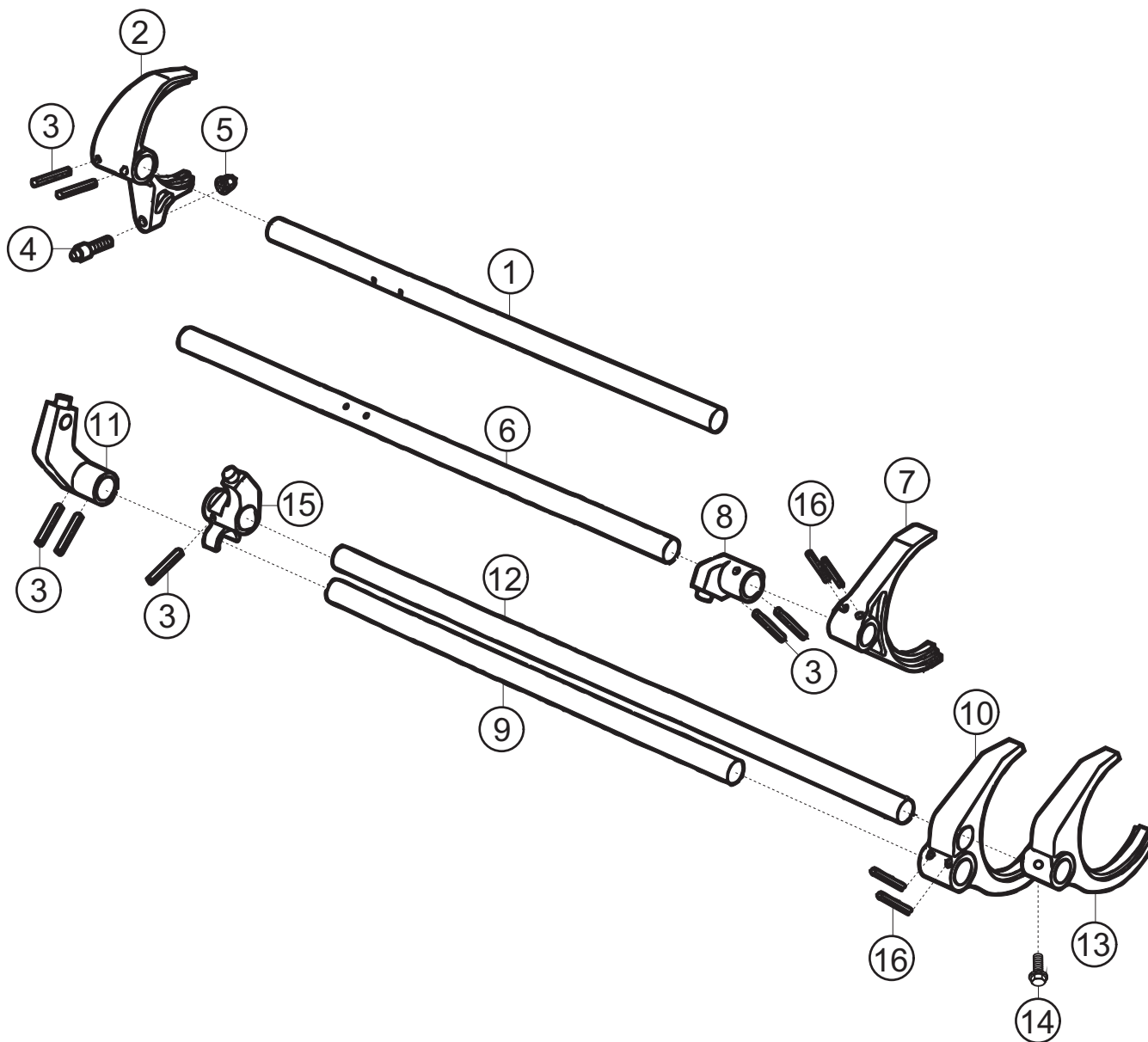
Räder und Lager / gears and bearings



Pos.	Bezeichnung / Description	St./Pc	Teile Nr./Part no.
52	Passscheibe 90X97X0,90 <i>fit washer</i>	n.B.	996.302.163.58
	Passscheibe 90X97X0,95 <i>fit washer</i>	n.B.	996.302.163.59
	Passscheibe 90X97X1,00 <i>fit washer</i>	n.B.	996.302.163.60
	Passscheibe 90X97X1,05 <i>fit washer</i>	n.B.	996.302.163.61
	Passscheibe 90X97X1,10 <i>fit washer</i>	n.B.	996.302.163.62
	Passscheibe 90X97X1,15 <i>fit washer</i>	n.B.	996.302.163.63
	Passscheibe 90X97X1,20 <i>fit washer</i>	n.B.	996.302.163.64
	Passscheibe 90X97X1,25 <i>fit washer</i>	n.B.	996.302.163.65
	Passscheibe 90X97X1,30 <i>fit washer</i>	n.B.	996.302.163.66
	Passscheibe 90X97X1,35 <i>fit washer</i>	n.B.	996.302.163.67
	Passscheibe 90X97X1,40 <i>fit washer</i>	n.B.	996.302.163.68
	Passscheibe 90X97X1,45 <i>fit washer</i>	n.B.	996.302.163.69
	Passscheibe 90X97X1,50 <i>fit washer</i>	n.B.	996.302.163.70
	Passscheibe 90X97X1,55 <i>fit washer</i>	n.B.	996.302.163.71
	Passscheibe 90X97X1,60 <i>fit washer</i>	n.B.	996.302.163.72
53	SH-KUG-LAG 40X82X18 <i>angular ball bearing</i>	1	999.052.227.00
54	ZYL-RO-LAG 40X90X23 <i>cylindrical roller bearing</i>	1	999.110.119.01
55	Triebwelle <i>pinion shaft</i>	1	-----
56	Scheibe D=14,5 <i>disk d=14,5</i>	1	964.302.335.01
57	Scheibe D=70 <i>disk d=70</i>	R 1	964.302.335.02

Schutzvermerk nach DIN 34 beachten
Copyright reserved
Dr. Ing. h. c. F. Porsche
Aktiengesellschaft

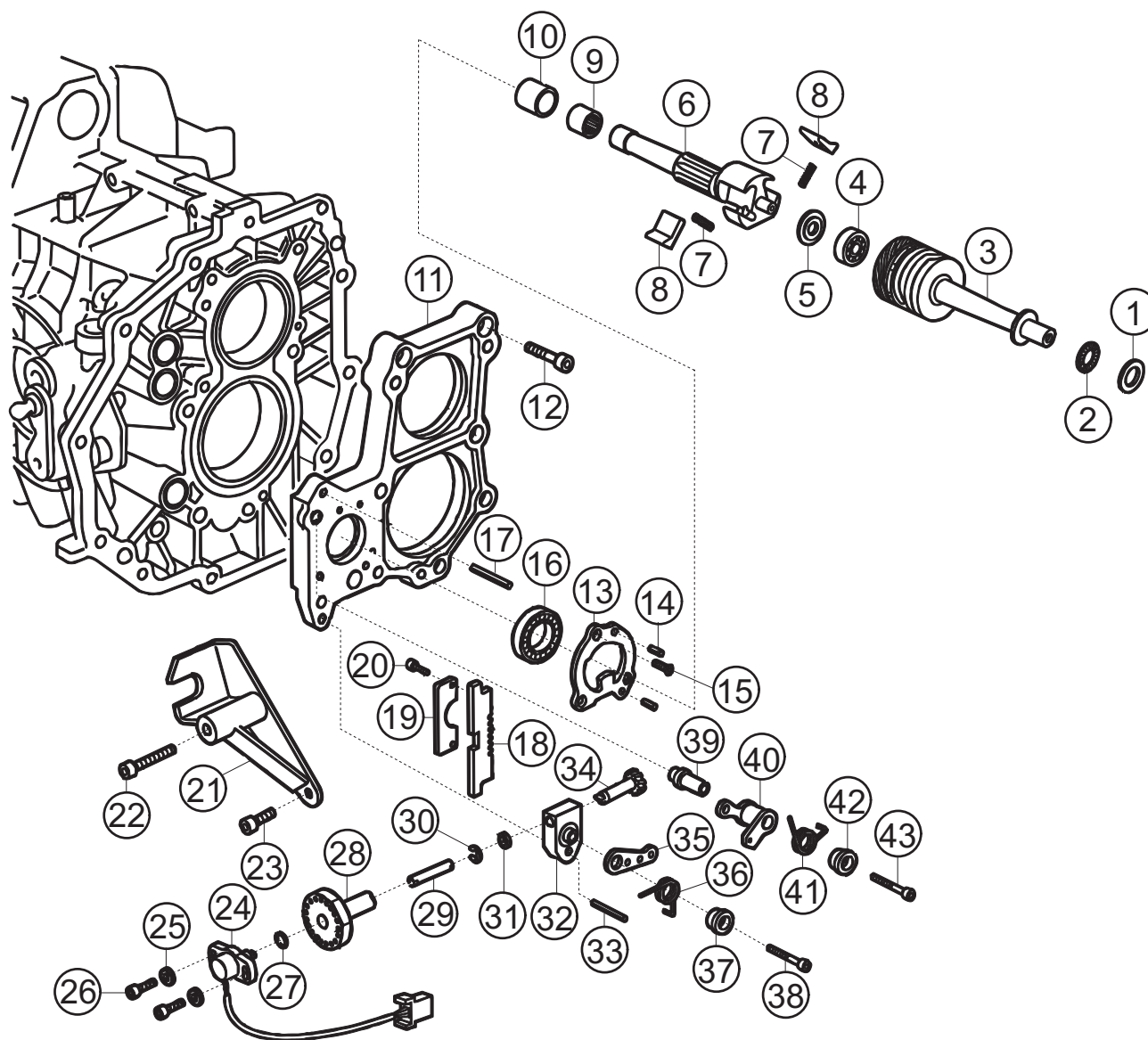
Schaltstangen und Gabeln / *shift rods and forks*



Pos.	Bezeichnung / Description	St./Pc	Teile Nr./Part no.
1	Schaltstange 3.+4.Gang <i>gearshift rod 3.+4.gear</i>	R 1	996.303.103.60
2	Schaltgabel 3.+4.Gang <i>gearshift fork 3.+4.gear</i>	R 1	996.303.113.60
3	Spannstift 5X22 <i>roll pin 5X22</i>	R 7	900.309.049.00
4	Mitnehmer 3.+4.Gang <i>driver 3.+4.gear</i>	R 1	996.303.163.01
5	6KT-MU <i>hex nut</i>	R 1	996.303.633.00
6	Schaltstange 5.+6.Gang <i>gearshift rod 5.+6.gear</i>	R 1	996.303.106.61
7	Schaltgabel 5.+6.Gang <i>gearshift fork 5.+6.gear</i>	R 1	996.303.116.60
8	Mitnehmer 5.+6.Gang <i>driver 5.+6.gear</i>	R 1	996.303.165.01
9	Schaltstange 1.+2.Gang <i>gearshift rod 1.+2.gear</i>	R 1	996.303.101.61
10	Schaltgabel 1.+2.Gang <i>gearshift fork 1.+2.gear</i>	R 1	996.303.111.61
11	Mitnehmer 1.+2.Gang <i>driver 1.+2.gear</i>	R 1	996.303.161.01
12	Schaltstange RW-Gang <i>gearshift shaft reverse-gear</i>	R 1	996.303.105.60
13	Schaltgabel RW-Gang <i>gearshift fork reverse-gear</i>	1	996.303.115.50
14	6KT-SHR M8X30 10.9 <i>hex screw M8X30 10.9</i>	R 1	999.217.036.01
15	Mitnehmer RW-Gang <i>driver reverse gear</i>	R 1	996.303.167.00
16	Spannstift 5X24 <i>roll pin 5X24</i>	4	900.309.003.00

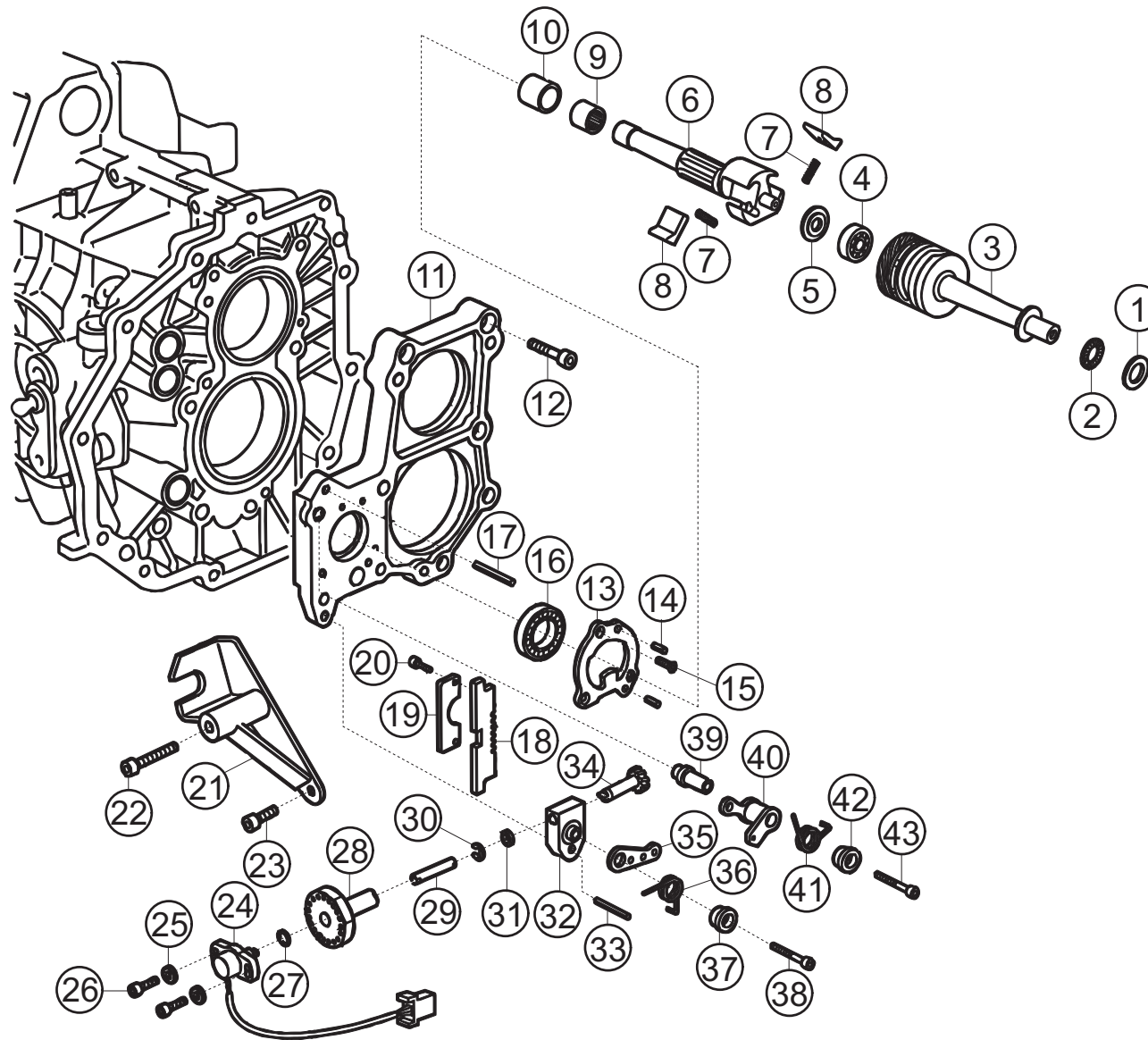
Schutzvermerk nach DIN 34 beachten
Copyright reserved
Dr. Ing. h. c. F. Porsche
Aktiengesellschaft

Schaltmechanik sequentiell / gearshift mechanism sequential



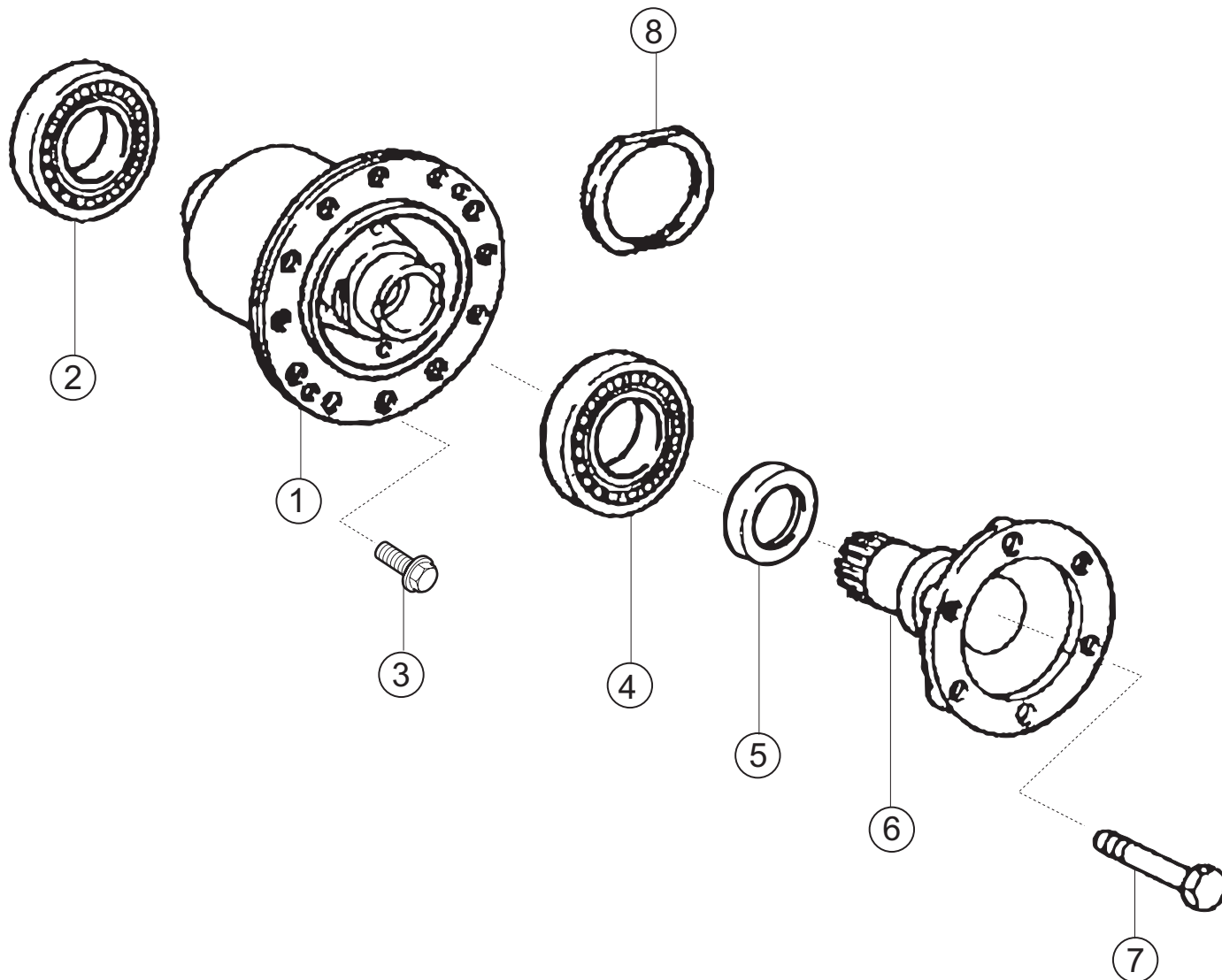
Pos.	Bezeichnung / Description	St./Pc	Teile Nr./Part no.
1	Einstellscheibe <i>adjusting disk</i>	R 1	996.303.397.01
2	Axialnadellager <i>axial needle bearing</i>	R 1	996.303.840.00
3	Schaltwalze <i>gear-selector drum</i>	R 1	996.303.395.00
4	Kugellager <i>ball bearing</i>	R 1	996.303.620.00
5	Einstellscheibe <i>adjusting disk</i>	R 1	996.303.563.00
6	Schaltwelle <i>gearshift shaft</i>	R 1	996.303.310.60
7	Feder <i>spring</i>	R 2	996.303.312.00
8	Klinke <i>ratchet</i>	R 2	996.303.311.00
9	Nadellager <i>needle bearing</i>	R 1	996.303.527.00
10	Hülse <i>sleeve</i>	R 1	996.303.525.00
11	Spannplatte komplett <i>tensioning plate assembly</i>	R 1	996.302.021.60
12	ZYL-SHR <i>fillister screw</i>	R 7	996.302.680.00
13	Befestigungsplatte <i>fastening plate</i>	R 1	996.303.671.00
14	Spannstift <i>roll pin</i>	R 2	996.303.632.00
15	LINSEN-SHR <i>oval-head screw</i>	R 3	996.303.642.00
16	Kugellager <i>ball bearing</i>	R 1	996.303.610.00
17	Spannstift <i>roll pin</i>	R 1	996.303.634.00
18	Zahnsegment <i>gear segment</i>	R 1	996.303.561.00
19	Sicherungblech <i>securing plate</i>	R 1	996.303.562.00
20	ZYL-SHR <i>fillister screw</i>	R 2	996.303.640.00
21	Widerlagerbock <i>bracket for gearshift cable</i>	R 1	996.424.165.9D
22	ZYL-SHR M10X55 <i>fillister screw M10X55</i>	1	900.067.087.01
23	ZYL-SHR M10X25 <i>fillister screw M10X25</i>	1	N .014.721.2
24	Potentiometer <i>potentiometer</i>	R 1	997.606.050.90

Schaltmechanik sequentiell / gearshift mechanism sequential



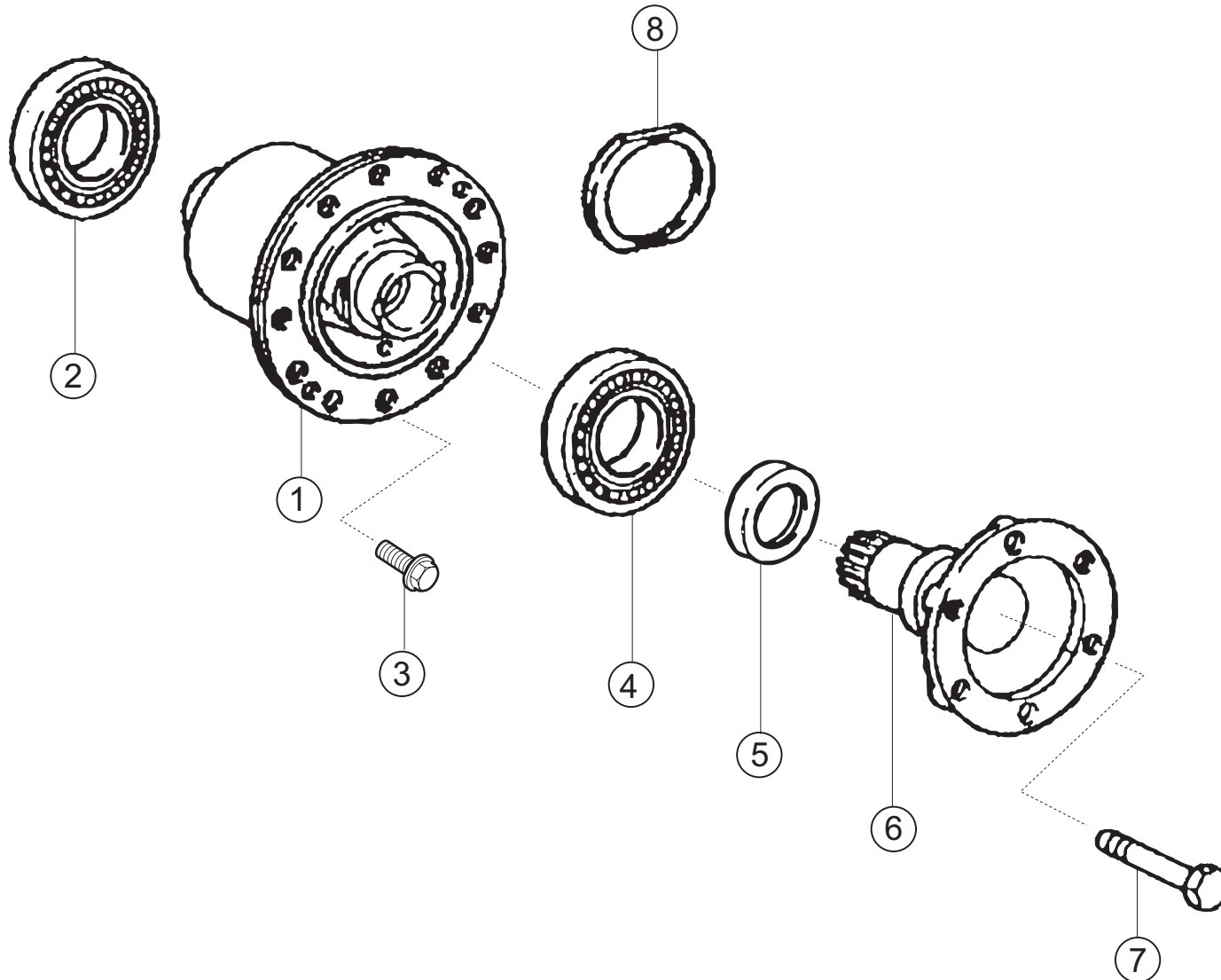
Pos.	Bezeichnung / Description	St./Pc	Teile Nr./Part no.
25	Scheibe <i>plain washer</i>	R 2	996.301.802.00
26	ZYL-SHR M4X12 <i>fillister screw M4X12</i>	R 2	900.067.212.02
27	Dichtring <i>sealing ring</i>	R 1	996.301.801.01
28	Montageplatte Potentiometer <i>mounting plate for potentiometer</i>	R 1	996.303.280.01
29	Achse Ganganzeige <i>spindle gear-indicator</i>	R 1	996.303.684.00
30	Sicherungsscheibe <i>lock washer</i>	R 1	996.303.683.00
31	Scheibe Ganganzeige <i>disk for gear-indicator</i>	R 1	996.303.682.00
32	Montageplatte <i>base plate</i>	R 1	996.303.680.00
33	Spannstift <i>roll pin</i>	R 1	996.303.630.00
34	Ritzel Ganganzeige <i>pinion gear for gear indicator</i>	R 1	996.303.681.00
35	Sperrklinke <i>ratchet</i>	R 1	996.303.685.00
36	Drehfeder <i>torsion spring</i>	R 1	996.303.686.00
37	Lagerhülse <i>bearing sleeve</i>	R 1	996.303.687.00
38	ZYL-SHR <i>fillister screw</i>	R 1	996.303.688.00
39	Achse <i>spindle</i>	R 1	996.303.650.00
40	Verriegelung <i>lock</i>	R 1	996.303.651.00
41	Drehfeder <i>torsion spring</i>	R 1	996.303.652.00
42	Lagerhülse <i>bearing sleeve</i>	R 1	996.303.653.00
43	ZYL-SHR <i>fillister screw</i>	R 1	996.303.654.00

Sperrdifferenzial / *limited slip differential*



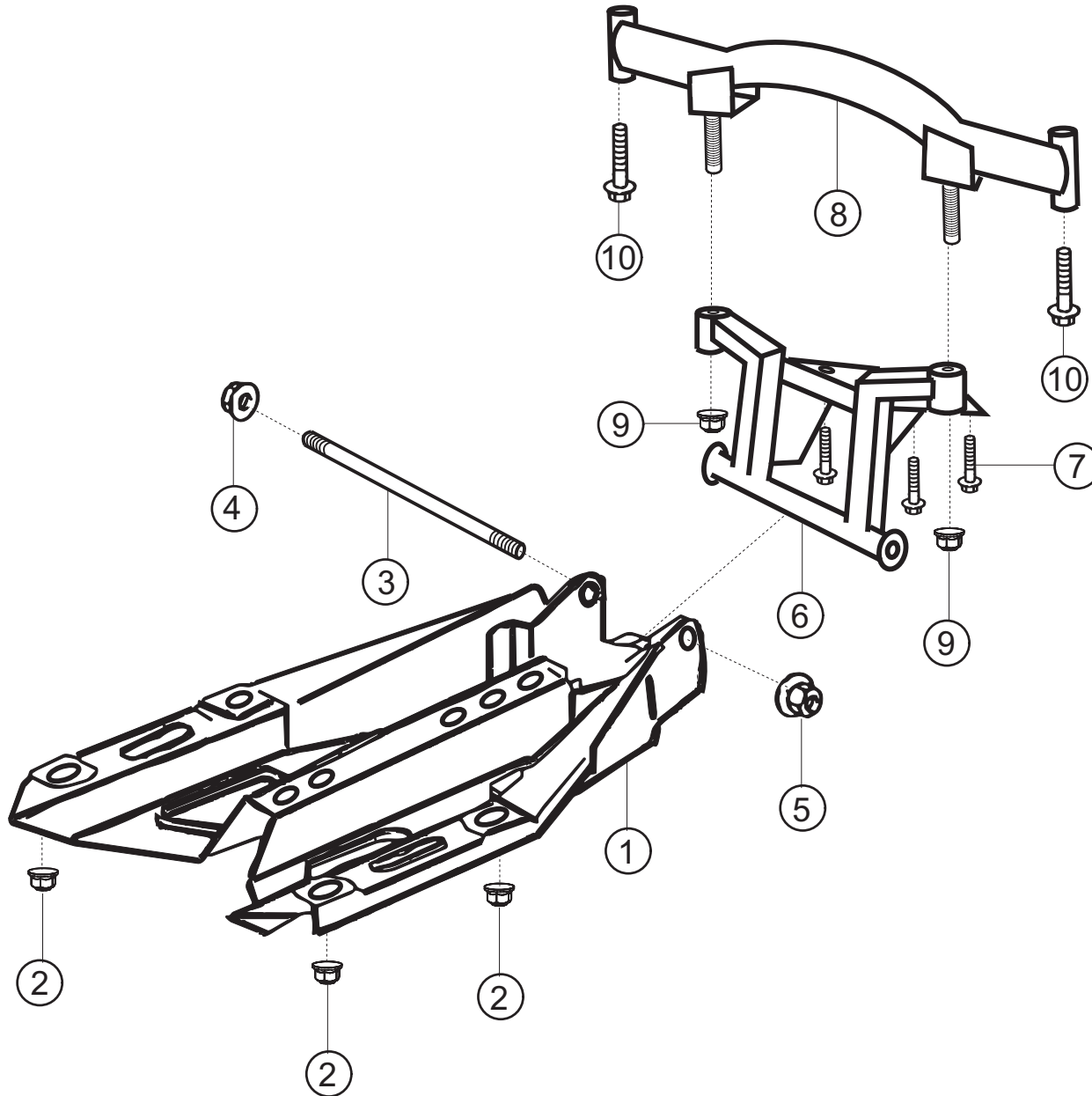
Pos.	Bezeichnung / Description	St./Pc	Teile Nr./Part no.
1	Sperrdifferenzial 45/65% <i>limited slip differential 45/65%</i>	R 1	996.332.083.9C
	Reibblammellensatz <i>friction-disk set</i>	R 1	996.332.981.9C
2	Kegelrollenlager 50X80X20 <i>taper roller bearing 50X80X20</i>	1	999.059.066.02
3	6KT-SHR M12X1,25X22,5 <i>hex screw M12X1,25X22,5</i>	12	996.332.276.00
4	Kegelrollenlager 50X90X21,7 <i>taper roller bearing 50X90X21,7</i>	1	999.059.064.00
5	Wellendichtring AS48X68X10 <i>shaft sealing ring 48X68X10</i>	2	999.113.347.40
6	Gelenkflansch <i>flange for articulated shaft</i>	2	950.332.209.01
7	6KT-SHR M10X85 <i>hex screw M10X85</i>	2	N .010.472.4
8	Einstellring 1,50mm <i>adjusting ring</i>	2	996.332.266.50
	Einstellring 1,55mm <i>adjusting ring</i>	2	996.332.266.51
	Einstellring 1,60mm <i>adjusting ring</i>	2	996.332.266.52
	Einstellring 1,65mm <i>adjusting ring</i>	2	996.332.266.53
	Einstellring 1,70mm <i>adjusting ring</i>	2	996.332.266.54
	Einstellring 1,75mm <i>adjusting ring</i>	2	996.332.266.55
	Einstellring 1,80mm <i>adjusting ring</i>	2	996.332.266.56
	Einstellring 1,85mm <i>adjusting ring</i>	2	996.332.266.57
	Einstellring 1,90mm <i>adjusting ring</i>	2	996.332.266.58
	Einstellring 1,95mm <i>adjusting ring</i>	2	996.332.266.59
	Einstellring 2,00mm <i>adjusting ring</i>	2	996.332.266.60
	Einstellring 2,05mm <i>adjusting ring</i>	2	996.332.266.61
	Einstellring 2,10mm <i>adjusting ring</i>	2	996.332.266.62
	Einstellring 2,15mm <i>adjusting ring</i>	2	996.332.266.63
	Einstellring 2,20mm <i>adjusting ring</i>	2	996.332.266.64
	Einstellring 2,25mm <i>adjusting ring</i>	2	996.332.266.65

Sperrdifferenzial / limited slip differential



Pos.	Bezeichnung / Description	St./Pc	Teile Nr./Part no.
8	Einstellring 2,30mm <i>adjusting ring</i>	2	996.332.266.66
	Einstellring 2,35mm <i>adjusting ring</i>	2	996.332.266.67
	Einstellring 2,40mm <i>adjusting ring</i>	2	996.332.266.68
	Einstellring 2,45mm <i>adjusting ring</i>	2	996.332.266.69
	Einstellring 2,50mm <i>adjusting ring</i>	2	996.332.266.70
	Einstellring 2,55mm <i>adjusting ring</i>	2	996.332.266.71
	Einstellring 2,60mm <i>adjusting ring</i>	2	996.332.266.72
	Einstellring 2,65mm <i>adjusting ring</i>	2	996.332.266.73
	Einstellring 2,70mm <i>adjusting ring</i>	2	996.332.266.74
	Einstellring 2,75mm <i>adjusting ring</i>	2	996.332.266.75
	Einstellring 2,80mm <i>adjusting ring</i>	2	996.332.266.76

Getriebeträger / gearbox bracket

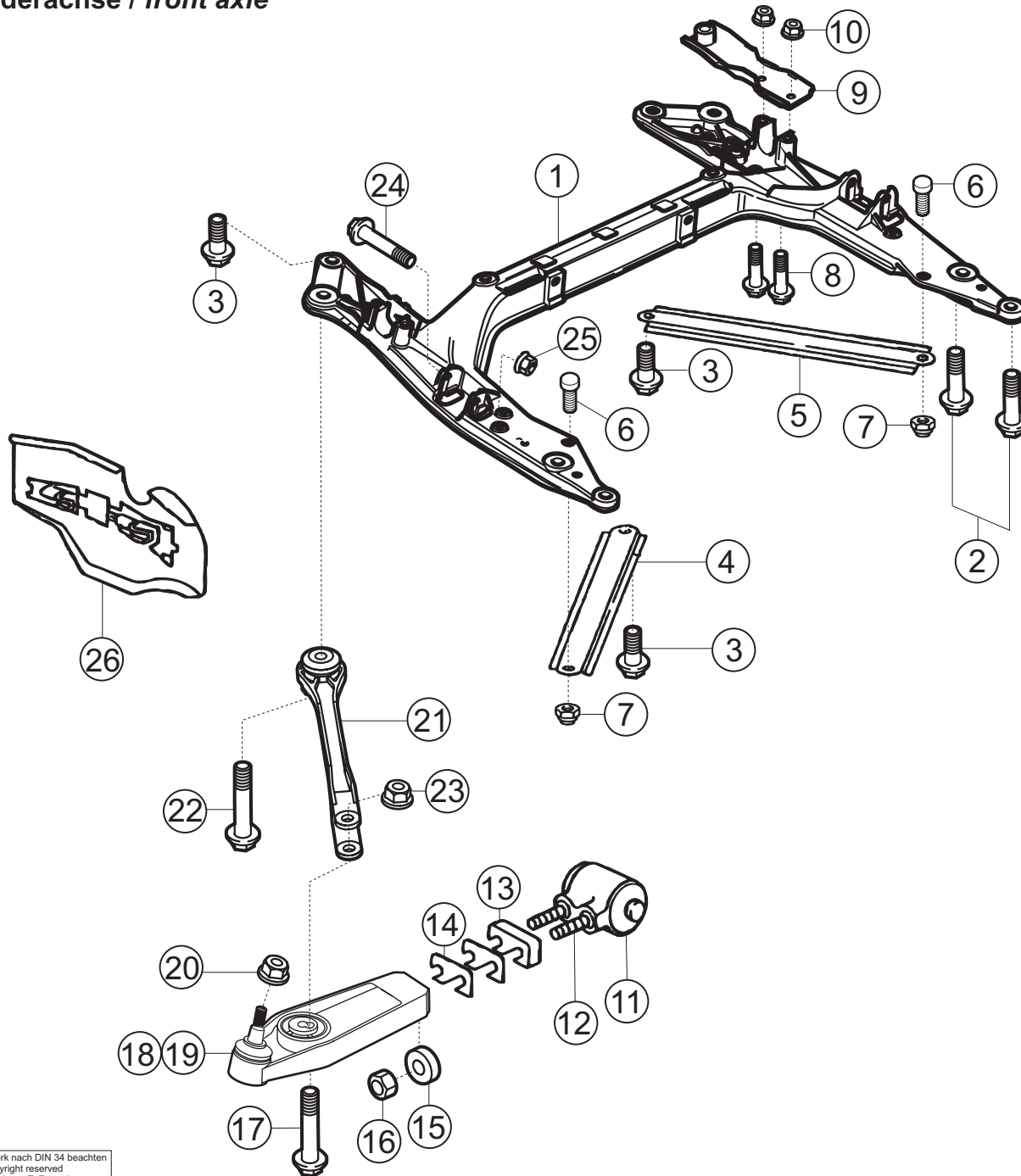


Pos.	Bezeichnung / Description	St./Pc.	Teile Nr./Part no.
1	Längsstütze <i>longitudinal support</i>	1	997.375.115.00
2	6KT-MU M10 <i>hex nut M10</i>	R 4	999.084.648.01
3	STIFT-SHR M10 L=220 <i>stud M10X220</i>	R 1	996.375.519.9A
4	6KT-MU M10 <i>hex nut M10</i>	1	900.380.008.09
5	6KT-MU M10 <i>hex nut M10</i>	1	900.377.011.09
6	Getriebeträger <i>gearbox support</i>	R 1	996.375.039.9B
7	6KT-SHR M8X20 <i>hex screw M8X20</i>	4	900.378.017.09
8	Zwischenträger <i>intermediate bracket</i>	1	996.375.317.06
9	Simmonds-MU M10 <i>simmonds nut M10</i>	2	900.817.003.02
10	6KT-SHR M10X60 <i>hex screw M10X60</i>	2	900.378.098.09

Vorderachse / Front axle

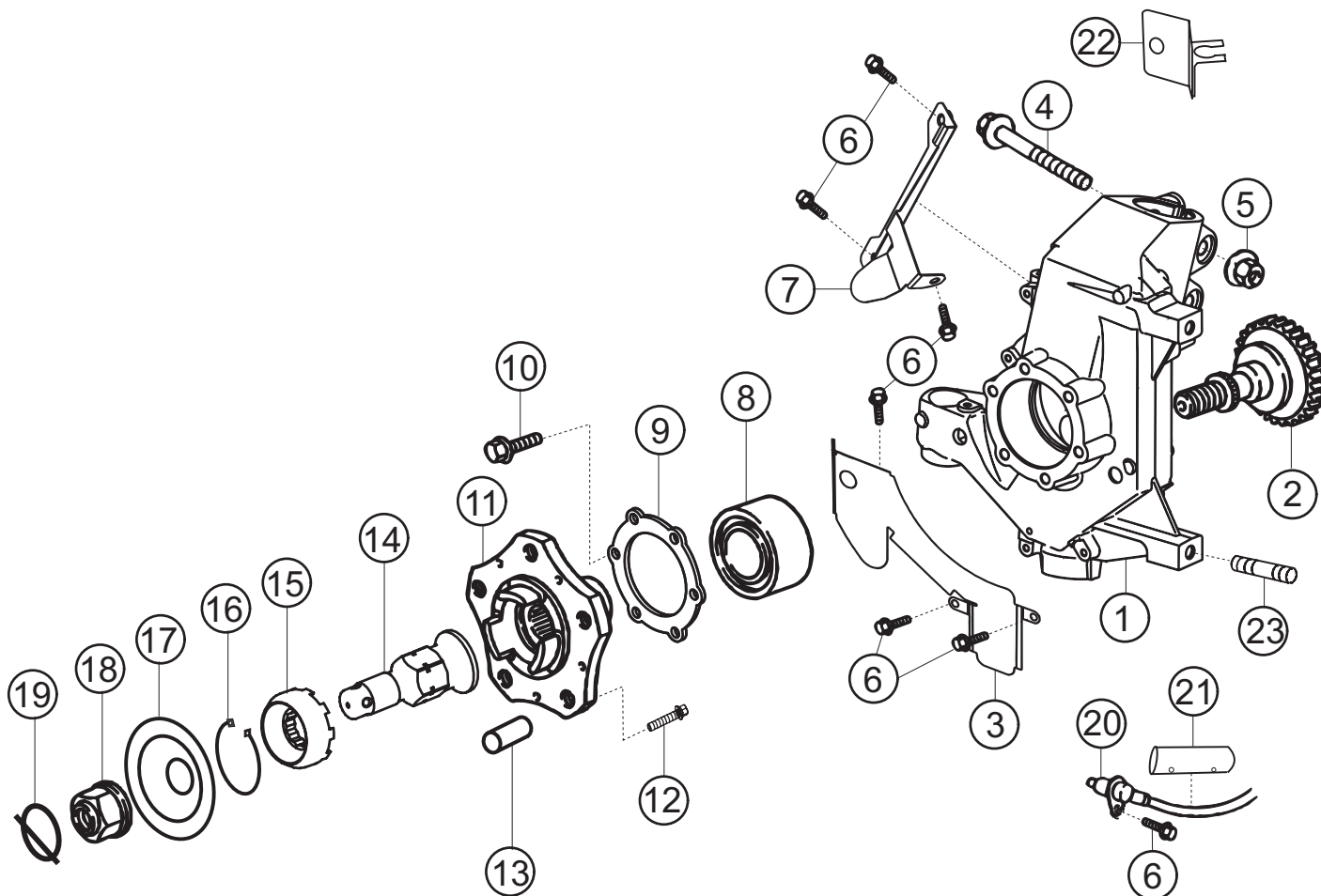
- Vorderachse / *front axle*
- Radträger vorne / *upright front*
- Vorderachsstabilisator / *anti-roll bar front axle*
- Federbein + Stützlager vorne / *suspension strut + supporting mount front*
- Lenkgetriebe / *steering gear*
- Servolenkung / *power-steering*
- Lenksäule + Lenkrad / *steering shaft + steering wheel*

Vorderachse / front axle



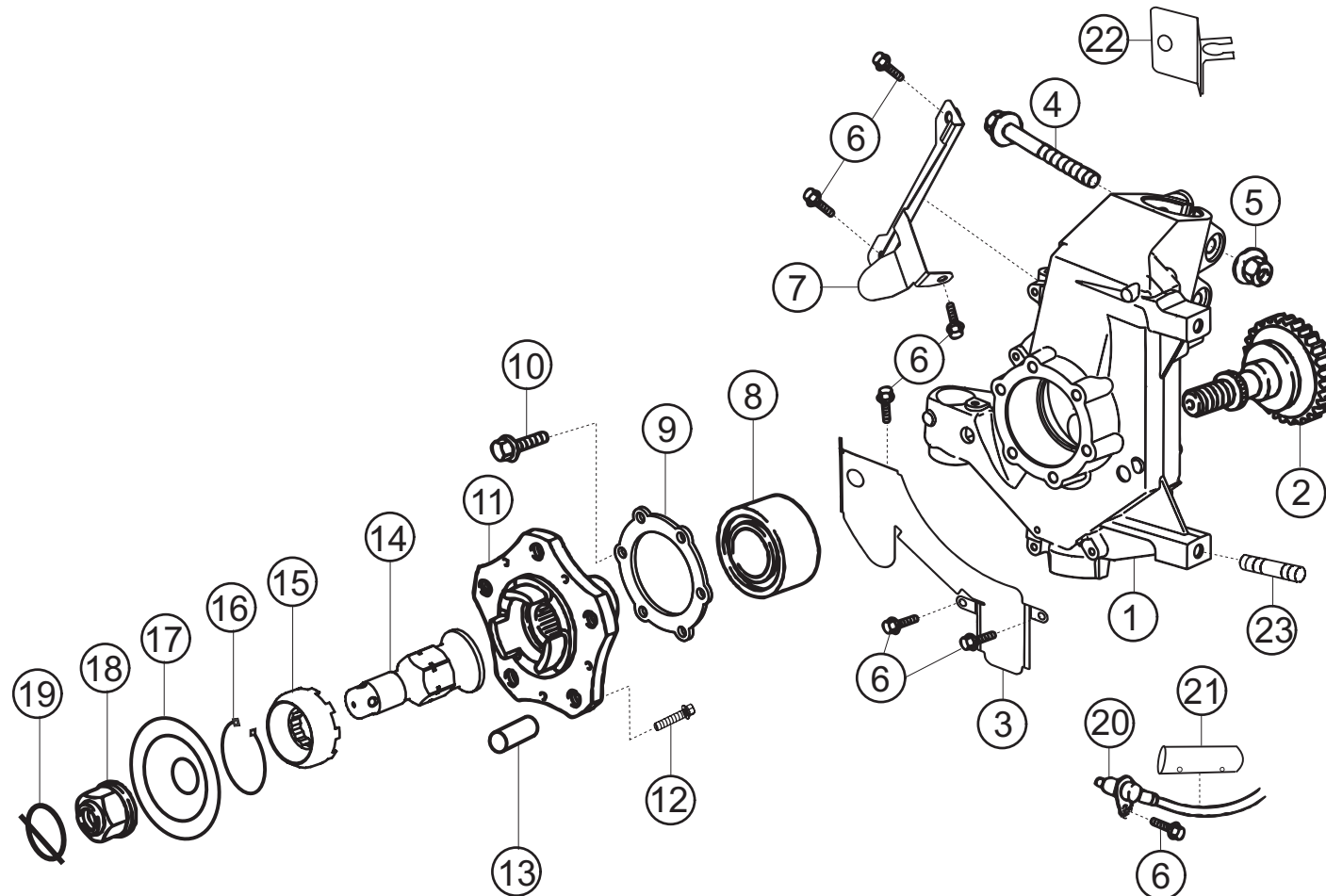
Pos.	Bezeichnung / Description	St./Pc	Teile Nr./Part no.
1	Querträger <i>cross member</i>	1	997.341.081.06
2	6KT-SHR M14X1,5X50 <i>hex screw M14X1,5X50</i>	4	900.378.192.09
3	6KT-SHR M12X1,5X30 <i>hex screw M12X1,5X30</i>	4	999.072.047.09
4	Diagonalstrebe links <i>diagonal brace left</i>	1	997.504.433.00
5	Diagonalstrebe rechts <i>diagonal brace right</i>	R 1	997.504.433.90
6	EPRS-SHR M12X32 <i>press-in screw M12X32</i>	R 2	999.080.050.09
7	6KT-MU M12X1,5 <i>hex nut M12X1,5</i>	2	999.084.445.09
8	6KT-SHR M10X60 <i>hex screw M10X60</i>	4	900.378.098.09
9	Stegblech <i>bridge</i>	2	997.341.145.05
10	6KT-MU M10 <i>hex nut M10</i>	4	900.380.008.09
11	Festlager <i>bearing flange</i>	R 2	997.341.441.93
12	STIFT-SHR M8X42 <i>stud M8X42</i>	R 2	900.060.035.01
13	Sturzscheibe 10mm <i>adjusting disk 10mm</i>	R n.B.	996.341.543.95
14	Sturzscheibe 7mm <i>camber disk 7mm</i>	R n.B.	996.341.543.93
	Sturzscheibe 3mm <i>camber disk 3mm</i>	R n.B.	996.341.543.92
	Sturzscheibe 1mm <i>camber disk 1mm</i>	R n.B.	996.341.543.90
	Sturzscheibe 0,8mm <i>camber disk 0,8mm</i>	R n.B.	996.341.543.98
	Sturzscheibe 0,6mm <i>camber disk 0,6mm</i>	R n.B.	996.341.543.97
	Sturzscheibe 0,3mm <i>camber disk 0,3mm</i>	R n.B.	996.341.543.96
15	Distanzscheibe 8,5x17x6 <i>spacer disk 8,5x17x6</i>	2	999.025.269.02
16	6KT-MU M8 <i>hex nut M8</i>	2	900.076.025.02
17	6KT-SHR M14X1,5X75 10.9 <i>hex screw M14X1,5X75 10.9</i>	1	900.378.135.09
18	Querlenker links komplett <i>wishbone assembly left</i>	R 1	997.341.041.93
	Querlenker rechts komplett <i>wishbone assembly right</i>	R 1	997.341.042.93

Radträger vorne / upright front



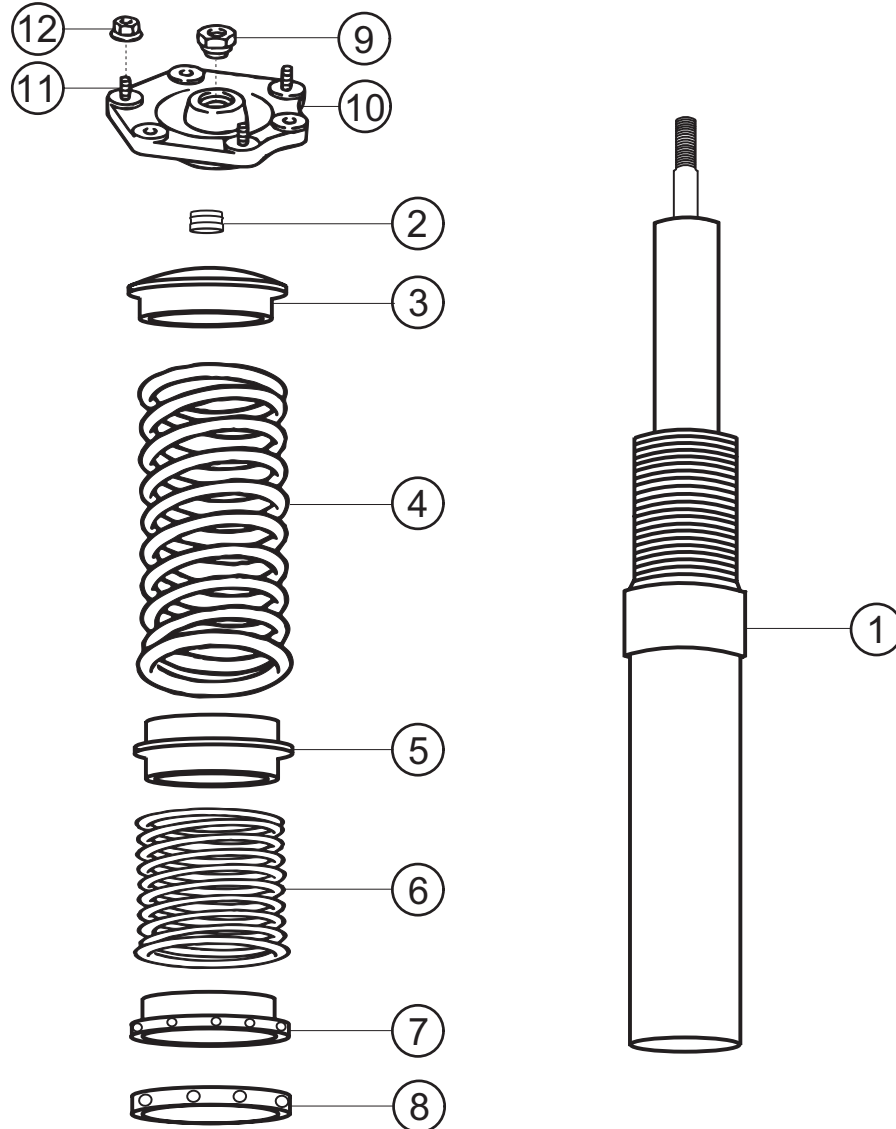
Pos.	Bezeichnung / Description	St./Pc	Teile Nr./Part no.
1	Radträger links <i>upright left</i>	R 1	997.341.157.92
	Radträger rechts <i>upright right</i>	R 1	997.341.158.92
2	Spannbolzen <i>tensioning bolt</i>	R 1	996.341.131.90
3	Abdeckblech links unten <i>splash shield bottom left</i>	R 1	996.351.811.90
	Abdeckblech rechts unten <i>splash shield bottom right</i>	R 1	996.351.812.90
4	6KT-SHR M12X70 <i>hex screw M12X70</i>	2	900.378.138.09
5	6KT-MU M12 <i>hex nut M12</i>	2	999.084.445.09
6	KOMBI-SHR M6X16 <i>hex screw + washer M6X16</i>	7	999.217.116.09
7	Abdeckblech links oben <i>splash shield top left</i>	R 1	997.351.801.90
	Abdeckblech rechts oben <i>splash shield top right</i>	R 1	997.351.802.90
8	SH-Kugellager 42X80X42 <i>ball bearing 42X80X42</i>	1	999.053.054.05
9	Deckel Befestigung Radlager <i>cap for fixing wheel bearing</i>	1	996.341.661.90
10	6KT-SHR M8X35 <i>hex screw M8X35</i>	6	999.217.042.09
11	Radnabe <i>wheel hub</i>	R 1	997.341.605.90
12	6KT-SHR M8X30 <i>hex screw M8X30</i>	5	900.378.033.09
13	Mitnehmerbolzen <i>driving pin</i>	R 5	964.341.614.80
14	Zentralschraube <i>central bolt</i>	R 1	996.331.671.90
15	Sicherungstopf <i>lock pot</i>	R 1	964.341.675.70
16	Sicherungsring <i>lock ring</i>	R 1	900.041.041.01
17	Druckscheibe <i>pressure disk</i>	R 1	964.361.113.70
18	Radmutter <i>wheel nut</i>	R 1	964.361.675.70
19	Klappstecker <i>securing clip</i>	R 1	964.361.677.80
20	Drehzahlsensor <i>speed sensor</i>	1	Kap.9 / chap. 9
21	Hitzschutz Drehzahlsensor links <i>heat protection left</i>	1	996.606.235.91

Radträger vorne / upright front



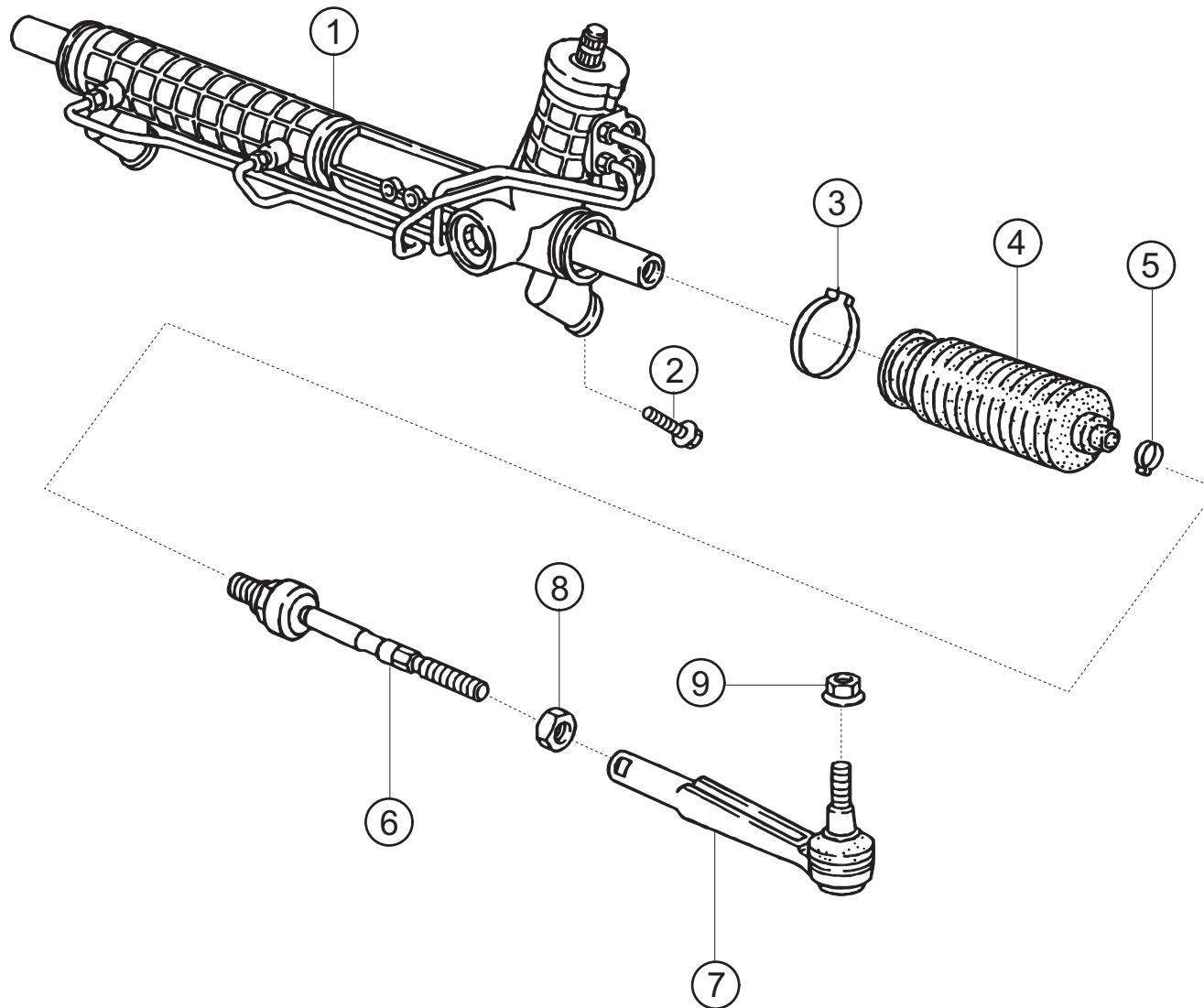
Pos.	Bezeichnung / Description	St./Pc	Teile Nr./Part no.
21	Hitzschutz Drehzahlsensor rechts <i>heat protection right</i>	1	996.606.236.91
22	Halter ABS-Kabel links <i>support for ABS cable left</i>	1	996.341.321.71
	Halter ABS-Kabel rechts <i>support for ABS cable right</i>	1	996.341.322.71
23	STIFT-SHR M12x1,5 + M10x1,5 <i>stud M12x1,5 + M10x1,5</i>	R 2	999.061.003.02

Federbein + Stützlager vorne / *suspension strut + supporting mount front*



Pos.	Bezeichnung / Description	St./Pc	Teile Nr./Part no.
1	Schwingungsdämpfer <i>shock absorber</i>	R 1	997.343.041.93
2	Distanzhülse <i>spacer sleeve</i>	R 1	996.343.563.9A
3	Federauflage <i>spring rest</i>	R 1	996.343.511.90
4	Hauptfeder <i>main spring</i>	R 1	997.343.531.90
5	Zwischenring <i>intermediate ring</i>	R 1	993.343.545.70
6	Hilfsfeder 75/60/43 <i>tender spring</i>	R 1	996.343.537.90
7	Federauflage unten <i>lower spring rest</i>	R 1	996.343.549.90
8	Kontermutter <i>counter-nut</i>	R 1	996.343.547.90
9	Mutterhülse <i>threaded bush</i>	R 1	997.343.561.90
10	Stützlager komplett mit Uniball <i>supporting mount assembly</i>	R 1	997.343.011.95
11	Einpressschrauben M8x24 <i>press-in screw M8x24</i>	R 3	999.080.021.09
12	BUND-MU M8 <i>collar nut M8</i>	3	999.084.447.09
o.B.	Federbein+Stützlager <i>suspension strut assembly</i>	R 2	997.343.031.94

Lenkgetriebe / steering gear



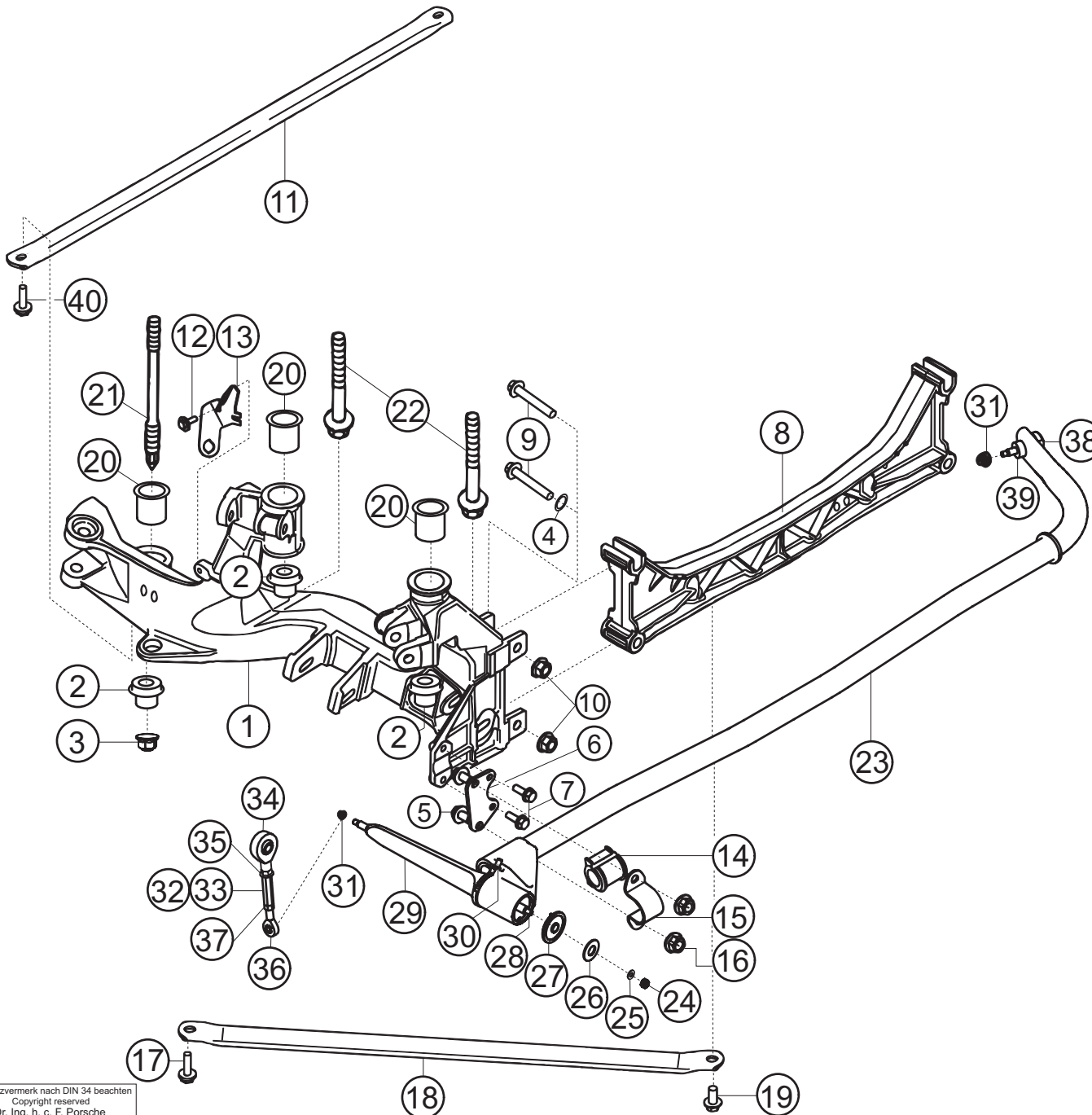
Pos.	Bezeichnung / Description		St./Pc	Teile Nr./Part no.
1	Lenkgetriebe komplett <i>steering gear</i>	R	1	997.347.005.91
2	6KT-SHR M10X45 10.9 <i>hex screw M10X45 10.9</i>		2	900.378.100.09
3	Klammer <i>cramp</i>		2	996.347.293.05
4	Faltenbalg <i>rubber bellow</i>		2	997.347.191.00
5	FED-BE-SHE 19X12 <i>clamp ring 19X12</i>		2	999.512.693.09
6	Axialgelenk <i>axial-joint</i>		2	997.347.322.00
7	Spurstangenaussengelenk <i>track rod outside joint</i>		2	996.347.131.04
8	6KT-MU M14X1,5 <i>hex nut M14X1,5</i>		2	999.034.037.09
9	6KT-MU M12X1,5 <i>hex nut M12X1,5</i>		2	999.084.449.09
o.B.	Spurstange komplett (Pos. 6-9) <i>track rod assembly</i>	R	2	997.347.031.01

Schutzvermerk nach DIN 34 beachten
Copyright reserved
Dr. Ing. h. c. F. Porsche
Aktiengesellschaft

Hinterachse / Rear axle

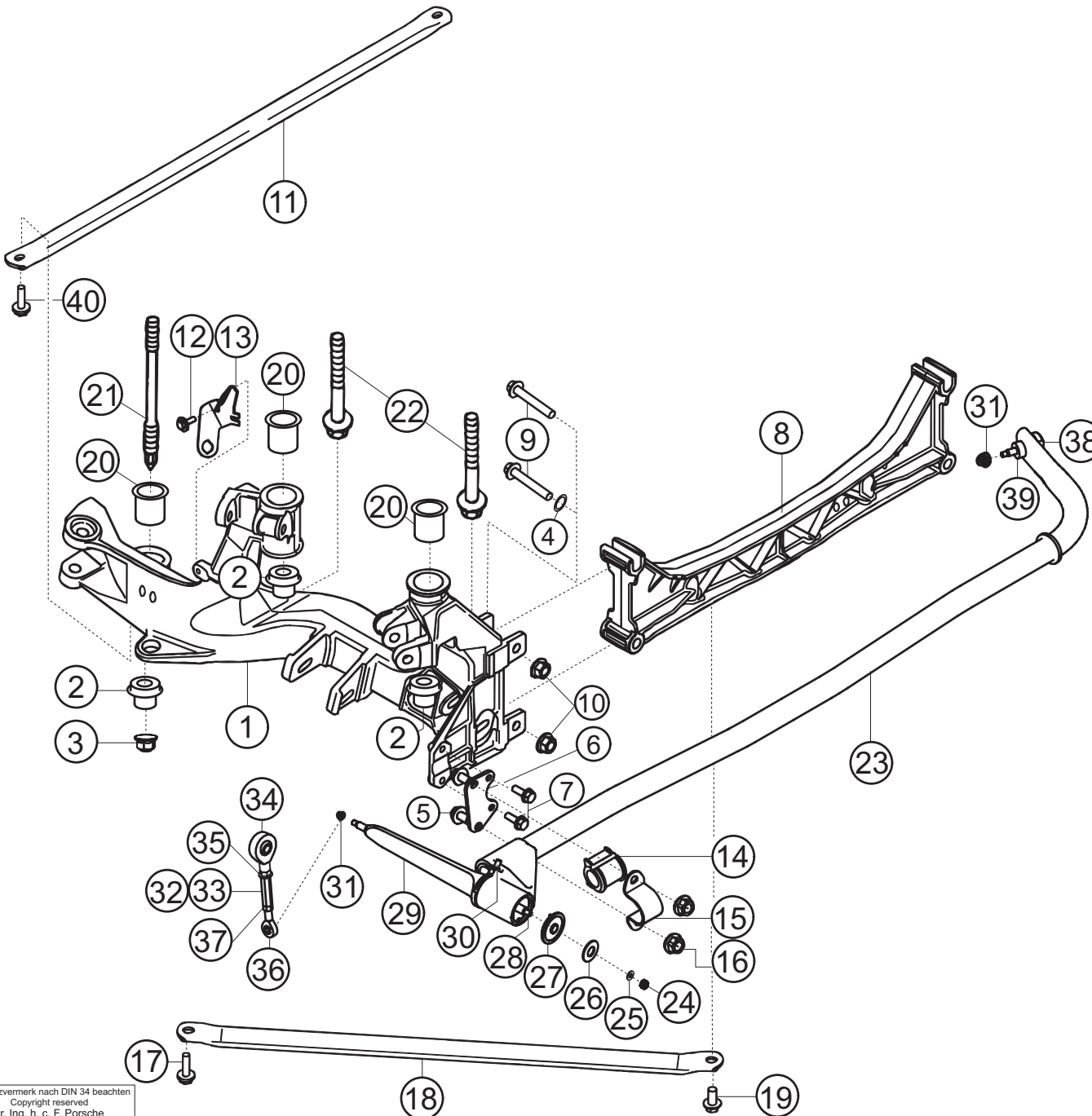
- Hinterachse Seitenteil / *rear axle side-carrier*
- Hinterachse / *rear axle*
- Radträger hinten / *rear upright*
- Federbein + Stützlager hinten / *rear suspension-strut + supporting mount*
- Gelenkwelle / *articulated shaft*

Hinterachse Seitenteil / rear axle side-carrier



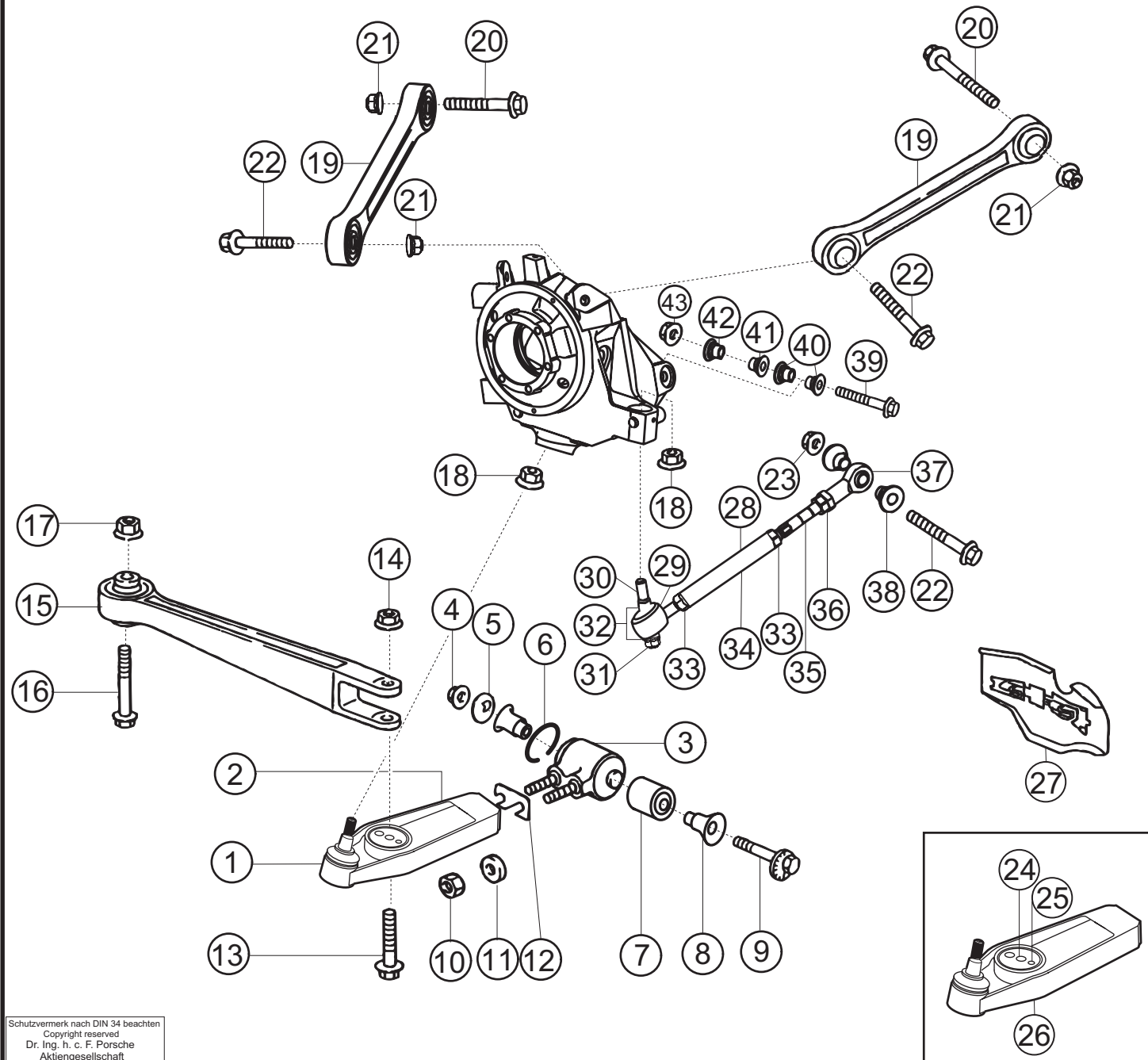
Pos.	Bezeichnung / Description	St./Pc	Teile Nr./Part no.
1	Seitenteil links mit Büchsen <i>side member left + bush</i>	R 1	997.331.051.9A
	Seitenteil rechts mit Büchsen <i>side member right + bush</i>	R 1	997.331.052.9A
2	Büchse unten <i>bush below</i>	R 3	997.331.235.91
3	6KT-MU M12X1,5 <i>hex nut M12X1,5</i>	1	999.084.445.09
4	U-SHB 12,4X24X3,0 <i>plain washer 12,4X24X3,0</i>	1	999.025.212.09
5	ZYL-SHR M10X18 <i>fillister screw M10X18</i>	4	900.067.046.02
6	Konsolenblech <i>support panel</i>	R 2	996.333.775.9A
7	LI-SHR M8X20 <i>oval-head screw M8X20</i>	R 4	964.501.804.00
8	Querträger <i>cross member</i>	1	997.331.261.02
9	6KT-SHR M12X80 <i>hex screw M12X80</i>	2	900.378.139.09
10	MU M12X1,5 <i>nut M12X1,5</i>	2	999.084.445.09
11	Querstrebe vorne <i>front cross strut</i>	1	996.331.171.03
12	KOMBI-SHR M6X16 <i>hex screw+washer M6X16</i>	R 1	900.075.355.09
13	Bremsschlauchhalter links <i>holder for brake hose left</i>	1	997.355.505.02
	Bremsschlauchhalter rechts <i>holder for brake hose right</i>	1	997.355.506.02
14	Stabilager <i>roll bar bearing</i>	R 2	997.333.792.92
15	Lagerschelle <i>clamp for roll bar bearing</i>	2	996.343.777.01
16	6KT-MU M10 <i>hex nut M10</i>	4	900.817.003.02
17	6KT-SHR M10X45 <i>hex screw M10X45</i>	1	999.072.031.09
18	Diagonalstrebe <i>diagonal brace</i>	R 2	997.331.081.91
19	6KT-SHR M12X30 <i>hex screw M12X30</i>	1	900.378.072.09
20	Büchse oben <i>bush on top</i>	3	996.331.233.91
21	Stiftschraube M12X97 <i>stud M12X97</i>	1	999.061.103.09
22	6KT-SHR M12X1,5X130 <i>hex screw M12X1,5X130</i>	2	900.178.010.09

Hinterachse Seitenteil / rear axle side-carrier



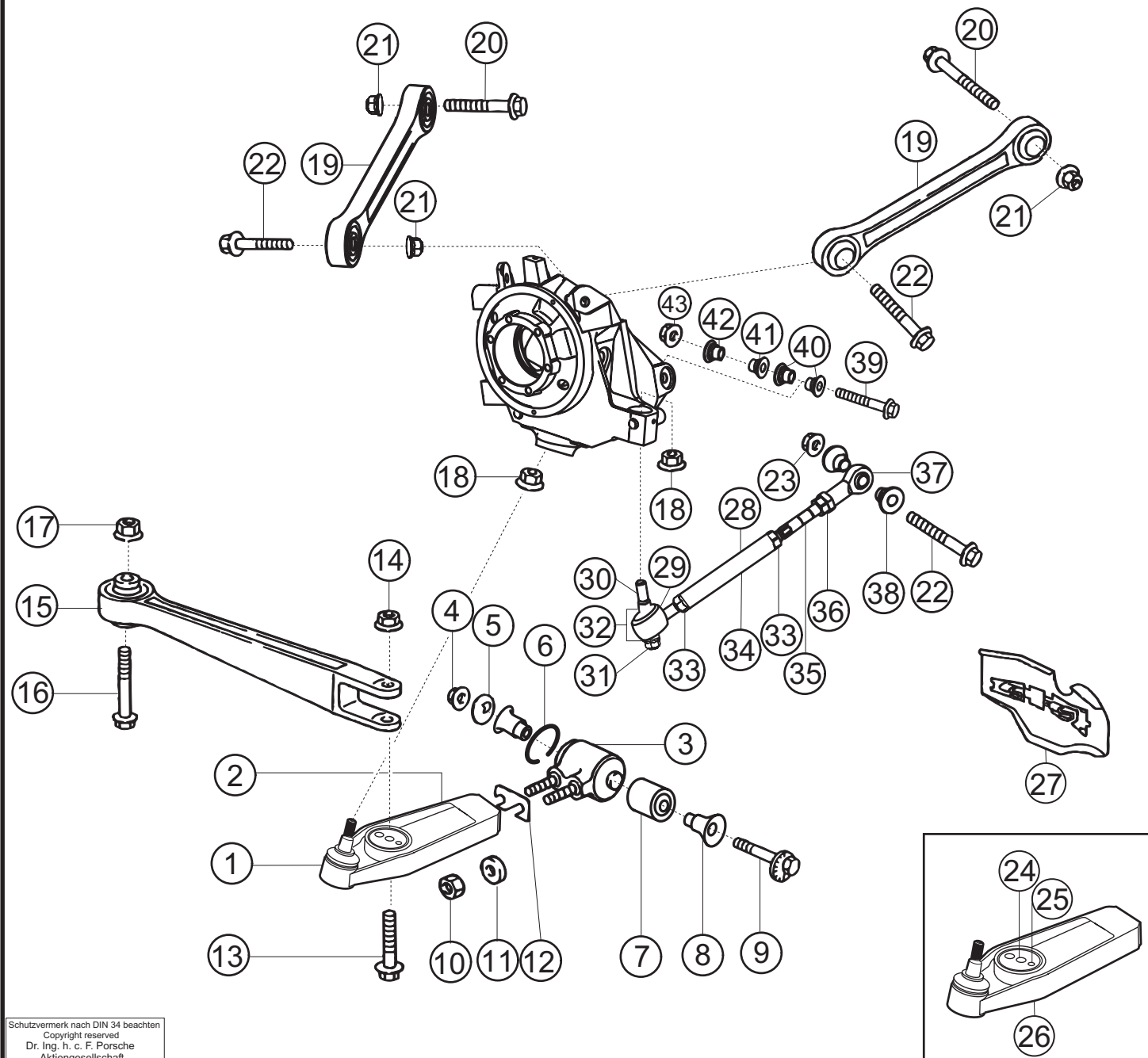
Pos.	Bezeichnung / Description	St./Pc	Teile Nr./Part no.
23	Stabilisator <i>anti roll-bar</i>	R 1	997.333.171.90
24	6KT-MU M6 <i>hex nut M6</i>	1	900.910.047.09
25	Scheibe <i>disk</i>	R 1	900.151.006.03
26	Tellerfeder <i>disk spring</i>	R 1	900.222.012.01
27	Deckel <i>cap</i>	R 1	997.343.723.90
28	Gewindebolzen <i>bolt</i>	R 1	997.343.733.90
29	Biegehebel <i>bending lever</i>	R 1	997.343.725.90
30	Gewindestift M6X20 <i>threaded pin M6X20</i>	R 1	999.242.002.01
31	6KT-MU M6 <i>hex nut M6</i>	R 2	900.817.001.02
32	Stabgehänge komplett <i>roll-bar linkage assembly</i>	R 2	997.333.070.91
33	Verbindungsstange <i>connecting rod</i>	R 1	997.333.183.90
34	Gelenkkopf SCP 12 <i>swivel head SCP12</i>	R 1	996.341.539.90
35	6KT-MU M12 <i>hex nut M12</i>	1	900.817.004.02
36	Gelenkkopf SCP 8 links <i>swivel head SCP 8 left</i>	R 1	999.593.020.00
37	6KT-MU M8 <i>hex nut M8</i>	R 1	900.817.006.02
38	Bolzen <i>bolt</i>	R 1	997.343.735.90
39	Distanzbuchse <i>spacer sleeve</i>	R 1	997.343.737.90
40	KOMBI-SHR M10X45 <i>hex screw+washer M10X45</i>	R 1	999.072.031.09

Hinterachse / rear axle



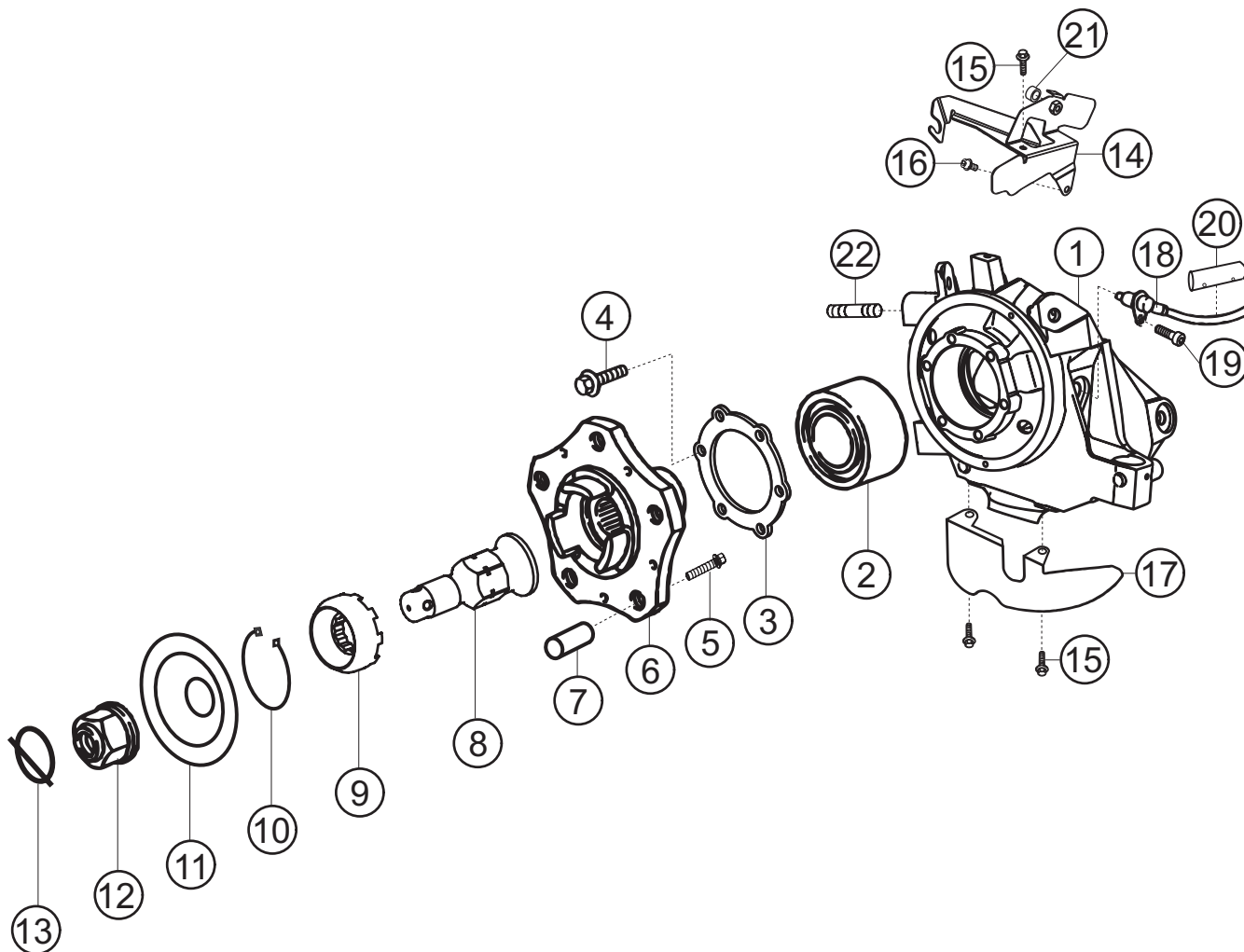
Pos.	Bezeichnung / Description	St./Pc.	Teile Nr./Part no.
1	Querlenker links komplett <i>wishbone assembly left</i>	R 1	997.331.041.90
	Querlenker rechts komplett <i>wishbone assembly right</i>	R 1	997.331.042.90
2	Querlenker außen <i>wishbone outside</i>	R 1	997.341.161.90
3	Festlager komplett <i>fixed bearing assembly</i>	R 1	997.341.441.90
4	6KT-MU M12 <i>hex nut M12</i>	1	999.084.445.09
5	Exzentrerscheibe <i>eccentric washer</i>	1	996.331.219.00
6	Sicherungsring SB35 <i>circlip SB35</i>	1	999.152.049.01
7	Gelenklager <i>spherical bearing</i>	R 1	999.593.067.00
8	Distanzbüchse <i>spacer sleeve</i>	R 2	996.341.551.93
9	Exzentrerschraube M12X100 <i>eccentric screw M12X100</i>	1	996.331.217.03
10	6KT-MU M8 <i>hex nut M8</i>	2	900.076.025.02
11	Scheibe 8,5X17X6 <i>disk 8,5X17X6</i>	2	999.025.269.02
12	Sturzscheibe 1mm <i>camber plate 1mm</i>	R n.B.	996.341.543.90
	Sturzscheibe 2mm <i>camber plate 2mm</i>	R n.B.	996.341.543.91
	Sturzscheibe 10mm <i>camber plate 10mm</i>	R n.B.	996.341.543.95
	Sturzscheibe 0,3mm <i>camber plate 0,3mm</i>	R n.B.	996.341.543.96
	Sturzscheibe 0,6mm <i>camber plate 0,6mm</i>	R n.B.	996.341.543.97
13	6KT-SHR M14X75 <i>hex screw M14X75</i>	1	900.378.135.09
14	6KT-MU M14X1,5 <i>hex nut 14X1,5</i>	1	900.380.012.09
15	Längslenker <i>trailing arm</i>	1	997.331.043.01
16	6KT-SHR M14X100 <i>hex screw M14X100</i>	1	900.378.051.09
17	6KT-MU M14X1,5 <i>hex nut M14X1,5</i>	1	900.380.012.09
18	6KT-MU M12X1,5 <i>hex nut M12X1,5</i>	2	999.084.449.09
19	Querlenker oben komplett <i>wishbone assembly on top</i>	2	997.331.047.00

Hinterachse / rear axle



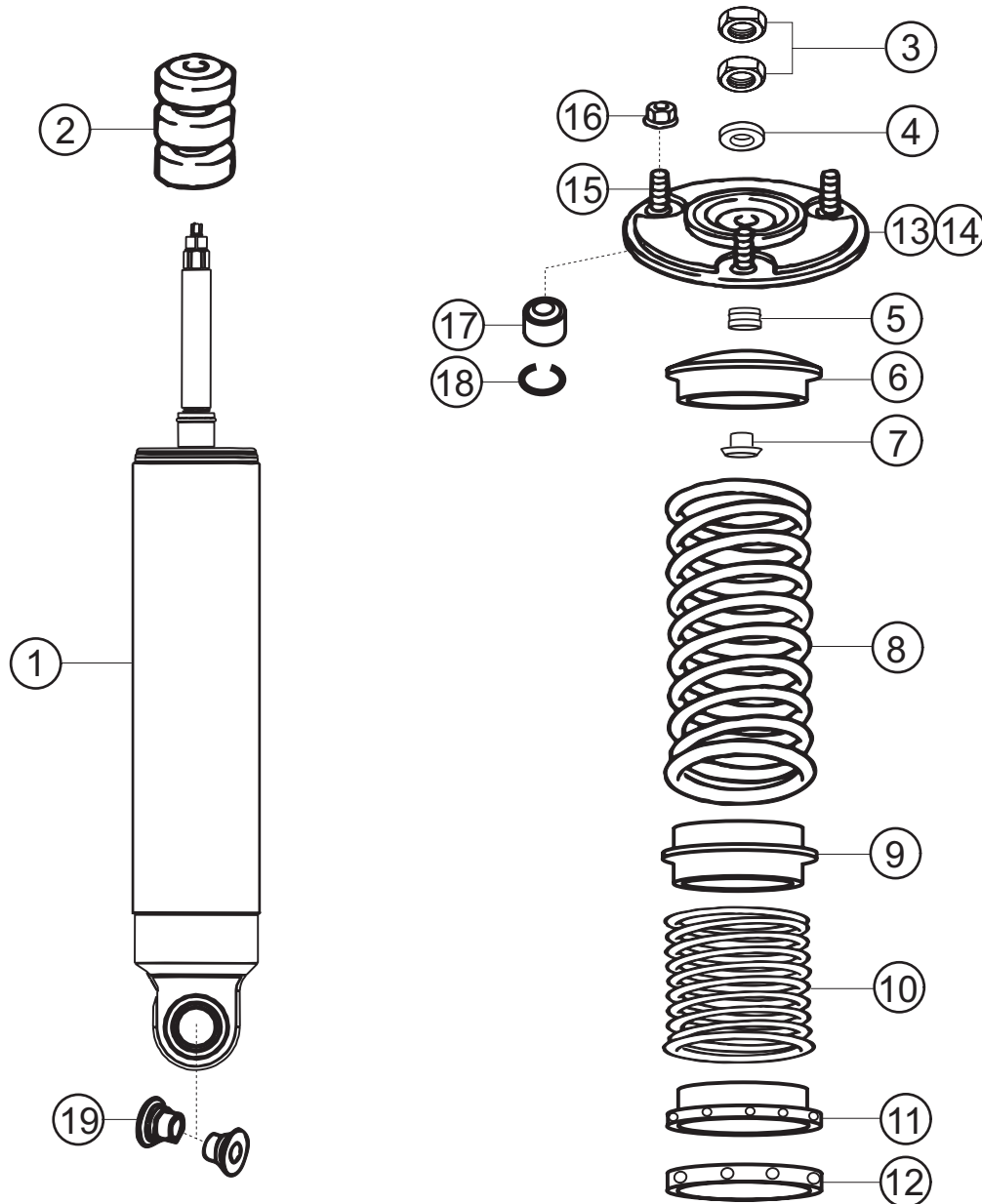
Pos.	Bezeichnung / Description	St./Pc.	Teile Nr./Part no.
20	6KT-SHR M12X100 <i>hex screw M12X100</i>	2	900.378.088.09
21	6KT-MU M12X1,5 <i>hex nut M12X1,5</i>	3	999.084.445.09
22	6KT-SHR M12X70 <i>hex screw M12X70</i>	3	900.378.138.09
23	6KT-MU M12 <i>hex nut M12</i>	1	999.084.445.09
24	Strebenlager starr <i>mount for brace</i>	R 2	996.341.244.9A
25	LINSEN-SHR M5X16 <i>oval head screw M5X16</i>	R 1	900.623.001.00
26	6KT-MU M5 <i>hex nut M5</i>	R 2	900.817.005.02
27	Bremsluftspoiler links <i>brake air-guide left</i>	R 1	997.331.487.91
	Bremsluftspoiler rechts <i>brake air-guide right</i>	R 1	997.331.488.91
28	Spurstange komplett <i>track rod assembly</i>	R 1	996.347.031.91
29	Gelenkkopf <i>swivel head</i>	R 1	999.593.128.00
30	Lagerzapfen <i>bearing journal</i>	R 1	996.347.233.91
31	6KT-MU M14X1,5 <i>hex nut M14X1,5</i>	1	999.084.014.02
32	Distanzscheibe <i>spacer disk</i>	R 2	996.347.235.91
33	6KT-MU M14X1,5 <i>hex nut M14X1,5</i>	2	999.034.037.09
34	Gewindehülse <i>threaded sleeve</i>	R 1	996.331.231.91
35	Gewindebolzen <i>threaded bolt</i>	R 1	996.331.333.9A
36	6KT-MU M14 <i>hex nut M14</i>	1	999.076.032.02
37	Gelenkkopf <i>swivel head</i>	R 1	996.331.327.9A
38	Distanzhülse <i>spacer bush</i>	R 2	996.331.373.9A
39	6KT-SHR M12X1,5X110 <i>hex screw M12X1,5X110</i>	1	999.072.003.09
40	Distanzhülse Federbein <i>distance sleeve suspens. strut</i>	R 2	997.333.541.90
41	Distanzhülse Stabigehänge <i>distance sleeve roll-bar linkage</i>	R 1	997.333.545.90
42	Distanzhülse Stabigehänge <i>distance sleeve roll-bar linkage</i>	R 1	997.333.543.90

Radträger / upright



Pos.	Bezeichnung / Description	St./Pc.	Teile Nr./Part no.
1	Radträger links <i>upright left</i>	R 1	996.331.111.9H
	Radträger rechts <i>upright right</i>	R 1	996.331.112.9H
2	Schrägkugellager <i>angular ball bearing</i>	1	999.053.055.02
3	Radlagerdeckel <i>cap for ball bearing</i>	1	996.341.661.90
4	6KT-SHR M8X35 <i>hex screw M8X35</i>	6	999.217.042.09
5	6KT-SHR M8X30 <i>hex screw M8X30</i>	5	900.378.033.09
6	Radnabe <i>wheel hub</i>	R 1	997.331.605.90
7	Mitnehmerbolzen <i>driving pin</i>	R 5	964.341.614.80
8	Zentralschraube <i>central bolt</i>	R 1	996.331.671.90
9	Sicherungstopf <i>lock pot</i>	R 1	964.341.675.70
10	Sicherungsring 34x1,5 <i>circlip 34x1.5</i>	R 1	900.041.041.01
11	Druckscheibe <i>pressure disk</i>	R 1	964.361.113.70
12	Radmutter <i>wheel nut</i>	R 1	964.361.675.70
13	Klappstecker <i>securing clip</i>	R 1	964.361.677.80
14	Bremsschutzblech oben links <i>brake protection plate top left</i>	R 1	997.352.801.90
	Bremsschutzblech oben rechts <i>brake protection plate top right</i>	R 1	997.352.802.90
15	6KT-SHR M6X16 <i>hex screw M6X16</i>	3	999.217.116.09
16	FL-KPF-SHR M6X12 <i>oval-head screw M6X12</i>	1	900.623.007.00
17	Bremsschutzblech unten links <i>brake protec.plate bottom left</i>	R 1	996.352.811.90
	Bremsschutzblech unten rechts <i>brake protec. plate bottom right</i>	R 1	996.352.812.90
18	Drehzahlfühler <i>speed sensor</i>	R 1	Kap. 9 / chap. 9
19	ZYL-SHR M6X16 <i>fillister screw M6X16</i>	1	900.067.117.09
20	Hitzschutz Drehzahlfühler <i>heat protection f. speed sensor</i>	1	986.606.136.00
21	Hülse <i>sleeve</i>	R 1	996.355.857.9A

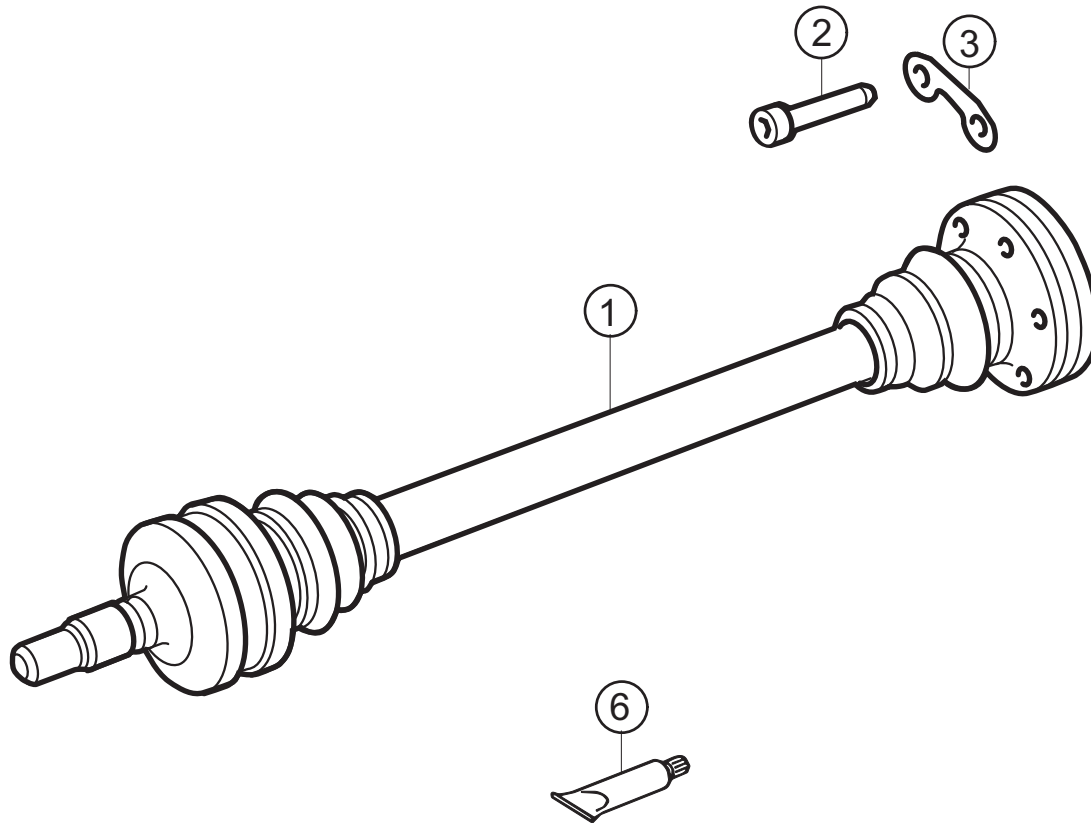
Federbein + Stützlager hinten / suspension strut + supporting mount rear



Pos.	Bezeichnung / Description	St./Pc	Teile Nr./Part no.
1	Schwingungsdämpfer <i>shock absorber</i>	R 1	997.333.051.92
2	Federanschlag <i>bump stop</i>	R 1	997.333.677.90
3	Kontermutter M12X1 <i>counternut</i>	R 2	997.343.785.9A
4	Distanzring <i>spacer ring</i>	R 1	964.333.468.70
5	Distanzhülse <i>spacer sleeve</i>	R 1	997.343.563.90
6	Federauflage <i>spring rest</i>	R 1	996.343.511.90
7	Büchse <i>bushing</i>	R 1	964.333.466.85
8	Hauptfeder 130-260 <i>main spring 130-260</i>	R 1	996.333.531.90
9	Zwischenring <i>intermediate ring</i>	R 1	993.343.545.70
10	Zusatzfeder 60-60-50 <i>tender spring 60-60-50</i>	R 1	996.333.537.90
11	Federauflage unten <i>lower spring rest</i>	R 1	996.343.549.90
12	Kontermutter <i>counter-nut</i>	R 1	996.343.547.90
13	Stützlager komplett mit Uniball <i>supporting mout ass.+uniball</i>	R 1	996.333.011.91
14	Stützlager mit Schrauben <i>supporting mount with screws</i>	R 1	996.333.059.91
15	EINPR.-SHR M10x30 10.9 <i>press-in screw M10x30 10.9</i>	R 3	999.080.033.09
16	6KT-MU M10 <i>hex nut M10</i>	3	900.380.008.09
17	Gelenklager <i>spherical bearing</i>	R 1	9R1.331.779.00
18	Sicherungsring 35x1,5 <i>securing ring 35x1,5</i>	1	999.152.049.01
19	Distanzhülse <i>distance sleeve</i>	R 2	997.333.541.90
o.B.	Federbein komplett <i>suspension strut assembly</i>	R 1	997.333.055.93

Schutzvermerk nach DIN 34 beachten
Copyright reserved
Dr. Ing. h. c. F. Porsche
Aktiengesellschaft

Gelenkwelle / articulated shaft

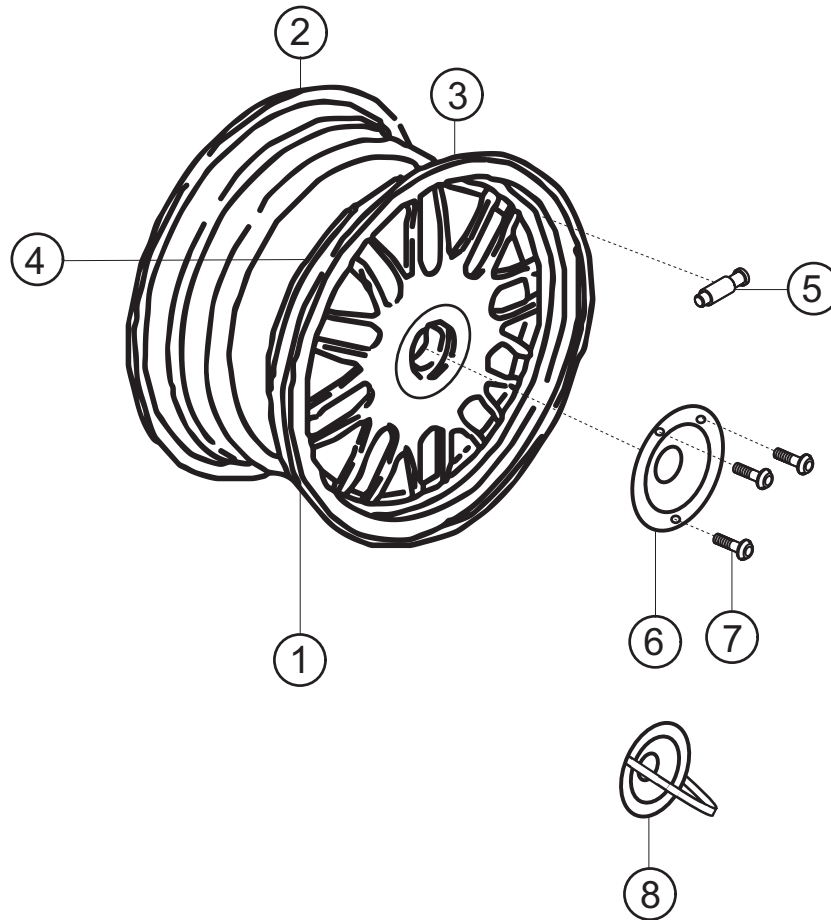


Pos.	Bezeichnung / Description	St./Pc.	Teile Nr./Part no.
1	Gelenkwelle (blauer Schaft) <i>articul. shaft (blue)</i>	R 2	997.332.024.90
2	ZYL-SHR M10x55 12.9 <i>fillister screw M10x55 12.9</i>	12	900.067.087.01
3	Unterlegplatte <i>plate</i>	12	911.332.191.00
4	Gelenkwellenfett 100g Tube <i>grease 100g</i>	R n.B.	996.332.897.9A

Räder und Bremsen / wheels and brakes

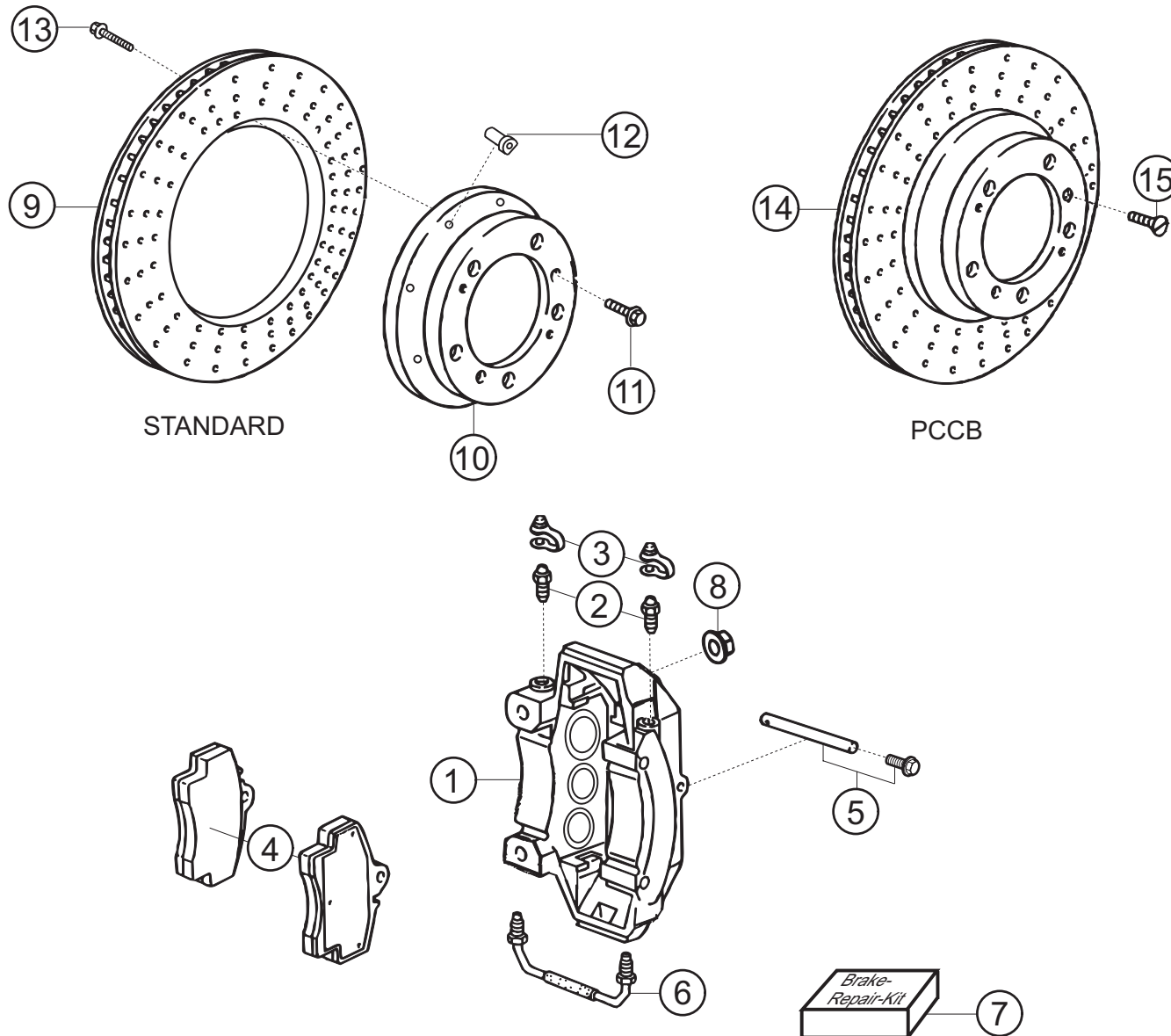
- Räder / *wheels*
- Bremse Vorderrachse / *brake front*
- Bremse Hinterachse / *brake rear*
- Waagebalken / *brake adjustment*
- Bremsleitungen vorne / *brake lines front*
- Bremsleitungen hinten / *brake lines rear*

Räder / wheels



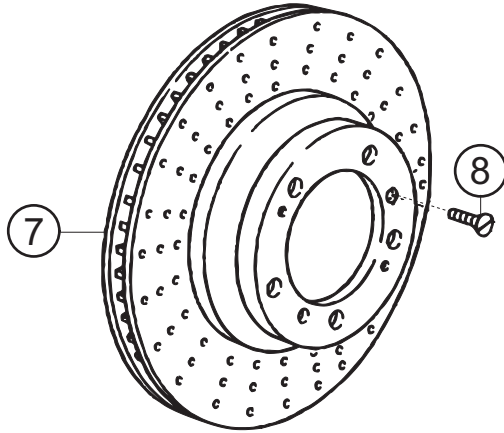
Pos.	Bezeichnung / Description	St./Pc.	Teile Nr./Part no.
1	Rad vorne 9x18 ET43 BBS <i>front rim 9x18 ET43</i>	R 2	997.362.136.90
	Rad hinten 11x18 ET30 BBS <i>rear rim 11x18 ET30</i>	R 2	997.362.140.90
2	Innenring VA 8x18 <i>front inner-ring 8x18</i>	R	996.362.203.91
	Innenring HA 8,5x18 <i>rear inner-ring 8,5x18</i>	R 2	997.362.205.90
3	Außenring VA 1,0x18 <i>front outside-ring 1,0x18</i>	R 2	996.362.207.90
	Außenring HA 2,5x18 <i>rear outside-ring 2,5x18</i>	R 2	997.362.209.90
4	Dichtring <i>sealing ring</i>	R 4	997.362.221.90
5	Metallventil für Rad vorne <i>valve for front rim</i>	R 2	997.362.227.90
	Metallventil für Rad hinten <i>valve for rear rim</i>	R 2	996.362.227.90
6	Druckscheibe <i>pressure disk</i>	R 4	964.361.113.70
7	LINSEN-SHR M5X12 10.9 <i>oval-head screw M5X12 10.9</i>	R 12	999.015.010.02
8	Transportscheibe <i>transportation eye</i>	R 4	993.361.115.80
o.B.	VIELZAHN-SHR M6X25 <i>multi-point screw M6X25</i>	R 24	997.362.223.90
o.B.	Unterlagsscheiben <i>plain washer</i>	R 24	996.362.225.90

Bremse Vorderachse / brake front

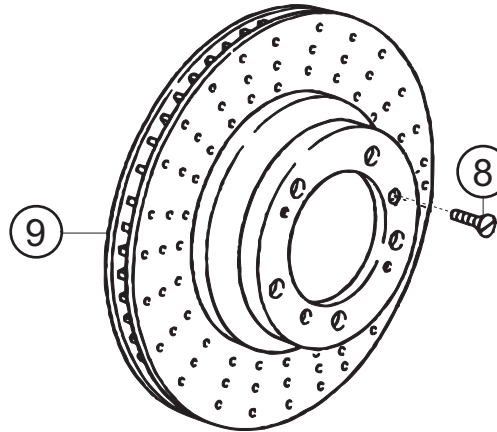


Pos.	Bezeichnung / Description	St./Pc	Teile Nr./Part no.
1	Bremssattel links rot <i>brake caliper left red</i>	R 1	997.351.431.90
	Bremssattel rechts rot <i>brake caliper right red</i>	R 1	997.351.432.90
	Bremssattel links gelb PCCB <i>brake caliper left yellow PCCB</i>	R 1	997.351.431.91
	Bremssattel rechts gelb PCCB <i>brake caliper right yellow PCCB</i>	R 1	997.351.432.91
2	Entlüftungsrippel <i>ventilation nipple</i>	4	997.352.919.00
3	Staubkappe <i>dust cap</i>	4	930.351.927.00
4	Bremsbeläge hellgrün P50 <i>brake pad P50</i>	R 4	996.351.940.93
	Bremsbeläge hellgrün P50 PCCB <i>brake pad P50 PCCB</i>	R 4	996.351.940.92
5	Befestigungssatz <i>attachment set</i>	R 1	997.351.959.30
6	Verbindungsleitung <i>connecting line</i>	R 1	997.351.961.91
7	Rep.Satz Dichtringe und Kolben <i>rep.kit sealing rings + pistons</i>	R 1	997.351.959.91
8	6KT-MU M10 <i>hex nut M10</i>	R 2	999.076.083.01
9	Bremsscheibe links komplett <i>brake disk assembly left</i>	R 1	996.351.107.9A
	Bremsscheibe links <i>brake disk left</i>	R 1	993.351.407.87
	Bremsscheibe rechts komplett <i>brake disk assembly right</i>	R 1	996.351.108.9A
	Bremsscheibe rechts <i>brake disk right</i>	R 1	993.351.408.87
10	Bremstopf <i>brake pot</i>	R 1	996.351.415.9A
11	6KT-SHR M6X12 <i>hex screw M6X12</i>	2	900.075.010.09
12	Befestigungshülse <i>attachment sleeve</i>	R 10	964.351.437.81
13	6KT-SHR M6X20 <i>hex screw M6X20</i>	10	900.378.030.09
14	Bremsscheibe PCCB links kompl. <i>brake disk assembly PCCB left</i>	R 1	997.351.031.92
	Bremsscheibe PCCB rechts kpl. <i>brake disk assembly PCCB right</i>	R 1	997.351.032.92
15	Schraube M6x12 8.8 <i>screw M6x12 8.8</i>	2	900.269.047.09

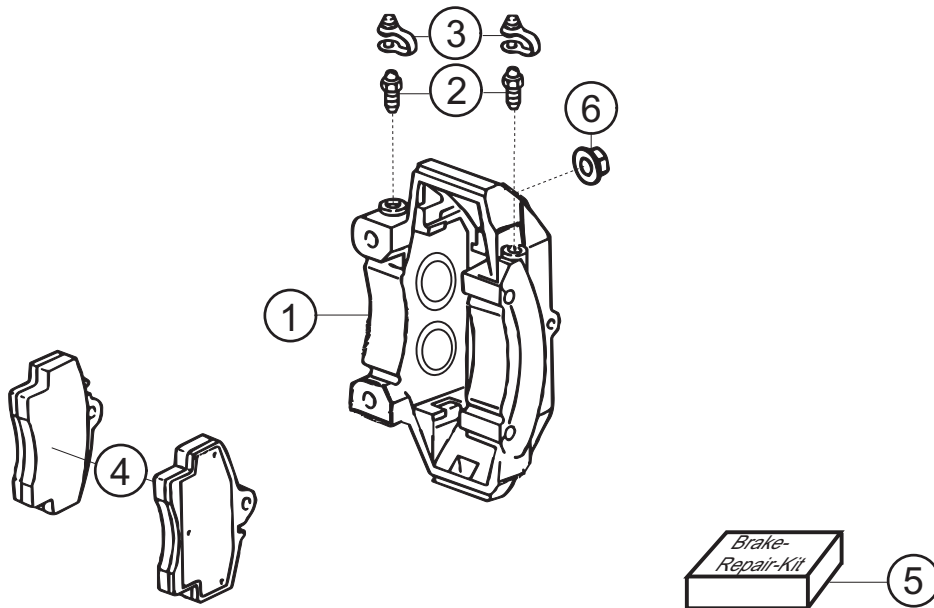
Bremse Hinterachse / brake rear



STANDARD

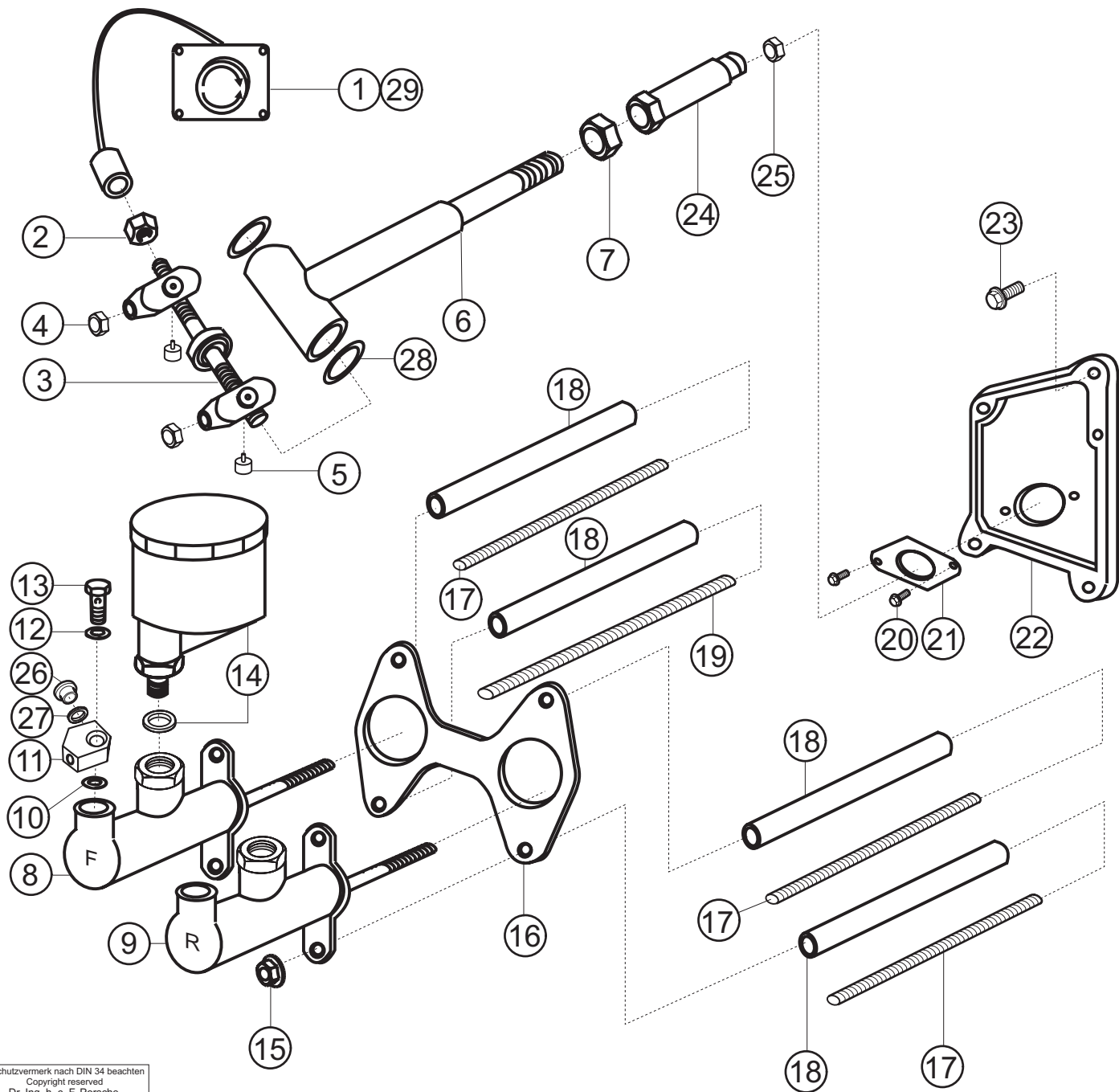


PCCB



Pos.	Bezeichnung / Description	St./Pc	Teile Nr./Part no.
1	Bremssattel links rot <i>brake caliper left red</i>	R 1	997.352.425.93
	Bremssattel rechts rot <i>brake caliper right red</i>	R 1	997.352.426.93
	Bremssattel links gelb PCCB <i>brake caliper left yellow PCCB</i>	R 1	997.352.425.94
	Bremssattel rechts gelb PCCB <i>brake caliper right yellow PCCB</i>	R 1	997.352.426.94
2	Entlüftungsnippel <i>ventilation nipple</i>	2	930.351.919.00
3	Staubkappe <i>dust cap</i>	2	930.351.927.00
4	Bremssbeläge <i>brake pad</i>	R 4	997.352.930.92
5	Rep.Satz Dichtringe und Kolben <i>rep.kit sealing rings + pistons</i>	R 1	997.352.959.91
6	6KT-MU M10 <i>hex nut M10</i>	R 2	999.076.083.01
7	Bremsscheibe links <i>brake disk left</i>	R 1	997.352.405.91
	Bremsscheibe rechts <i>brake disk right</i>	R 1	997.352.406.91
8	Schraube M6x12 <i>screw M6x12</i>	2	900.269.047.09
9	Bremsscheibe PCCB links <i>brake disk PCCB left</i>	R 1	997.352.031.91
	Bremsscheibe PCCB rechts <i>brake disk PCCB right</i>	R 1	997.352.032.91

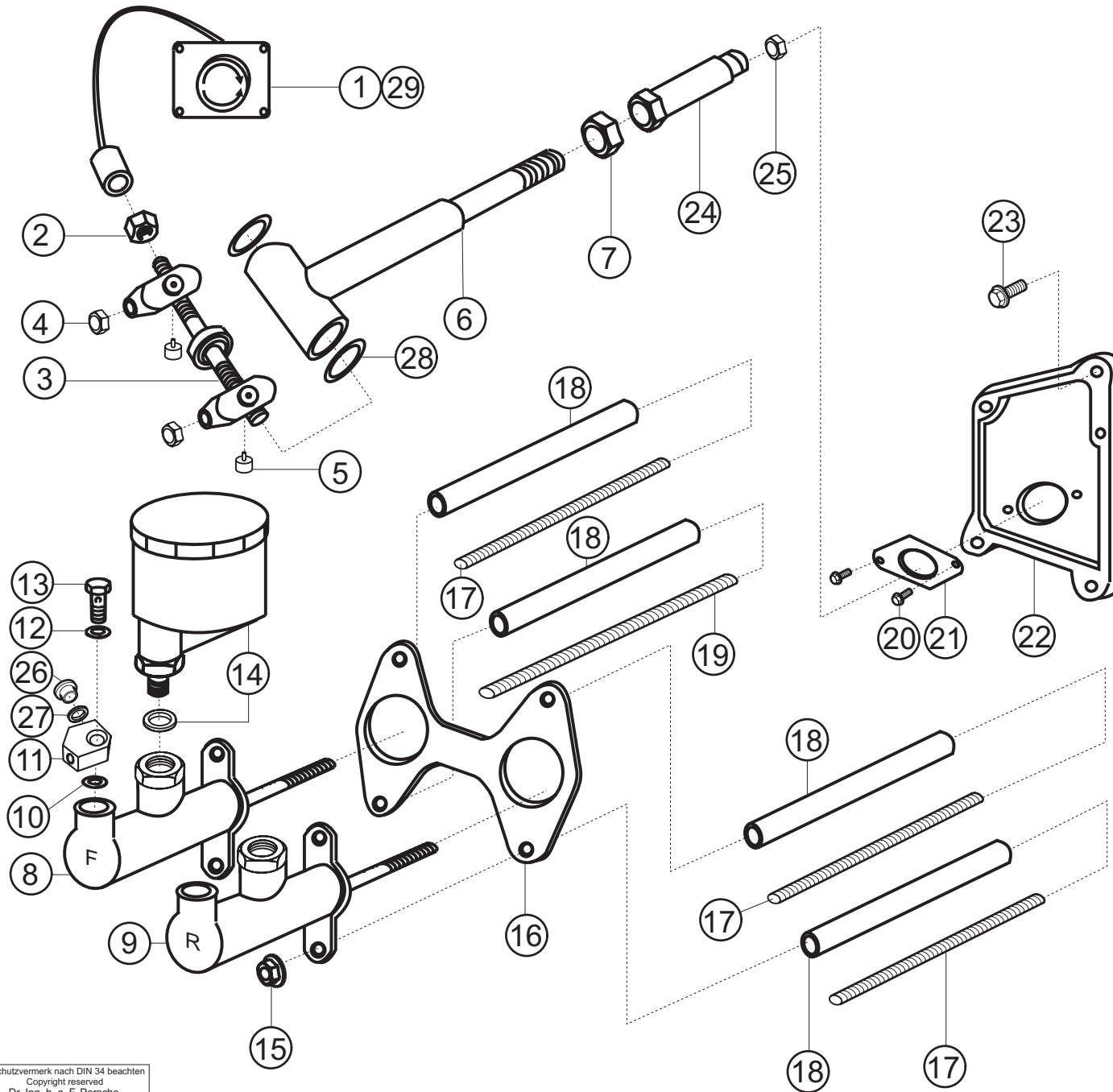
Waagebalken / brake adjustment



Pos.	Bezeichnung / Description	St./Pc	Teile Nr./Part no.
1	Verstellzug mit Potentiometer <i>adjustment cable assembly</i>	R 1	997.641.809.91
2	6KT-MU <i>hex nut</i>	R 1	996.355.387.9A
3	Waagebalken (enthält Pos 4) <i>adjusting spindle (incl. Pos 4)</i>	R 1	996.355.239.9A
4	6KT-MU <i>hex nut</i>	R 2	996.355.779.9A
5	Gleitstück <i>sliding block</i>	R 2	996.355.261.9A
6	Waagebalkenstange <i>adjusting device rod</i>	R 1	996.355.249.9A
7	6KT-MU M12X1,5 <i>hex nut M12X1,5</i>	1	900.034.014.02
8	Hauptbremszylinder vorne orange <i>master brake cyl. front orange</i>	R 1	996.355.017.9D
9	Hauptbremszylinder hinten grün <i>master brake cylinder rear green</i>	R 1	996.355.017.9C
10	Hauptbremszyl.hinten PCCB blau <i>master brake cyl. rear PCCB blue</i>	R 1	996.355.017.9A
11	Dichtring 17X10,2X0,9 <i>sealing ring 17X10,2X0,9</i>	R 2	996.355.565.9A
12	Dichtring 18X11,2X0,9 <i>sealing ring 18X11,2X0,9</i>	R 2	996.355.563.9A
13	Anschlußstück <i>connecting piece</i>	R 2	997.355.657.90
14	Dichtring 18X11,2X0,9 <i>sealing ring 18X11,2X0,9</i>	R 2	996.355.563.9A
15	Hohlschraube <i>hollow screw</i>	R 2	996.355.561.9A
16	Ausgleichsbehälter <i>compensating tank</i>	R 2	996.355.211.9A
17	6KT-MU M8 <i>hex nut M8</i>	4	900.377.003.02
18	Flansch für HBZ <i>flange for mbc</i>	R 1	996.355.245.9A
19	Gewindestange M8X140 <i>threaded rod M8X140</i>	R 3	996.355.787.9A
20	Distanzhülse <i>distance sleeve</i>	R 4	996.355.147.9A
21	Gewindestange M8X160 <i>threaded rod M8X160</i>	R 1	996.355.785.9A
22	KOMBI-SHR M6X10 <i>hex screw + washer M6X10</i>	2	900.075.363.02
23	Gleitlager mit Flansch <i>slide bearing with flange</i>	R 1	996.355.253.9A
24	Halteplatte <i>mounting plate</i>	R 1	996.355.243.9A
25	6KT-SHR M8X30 <i>hex screw M8X30</i>	1	900.378.033.09

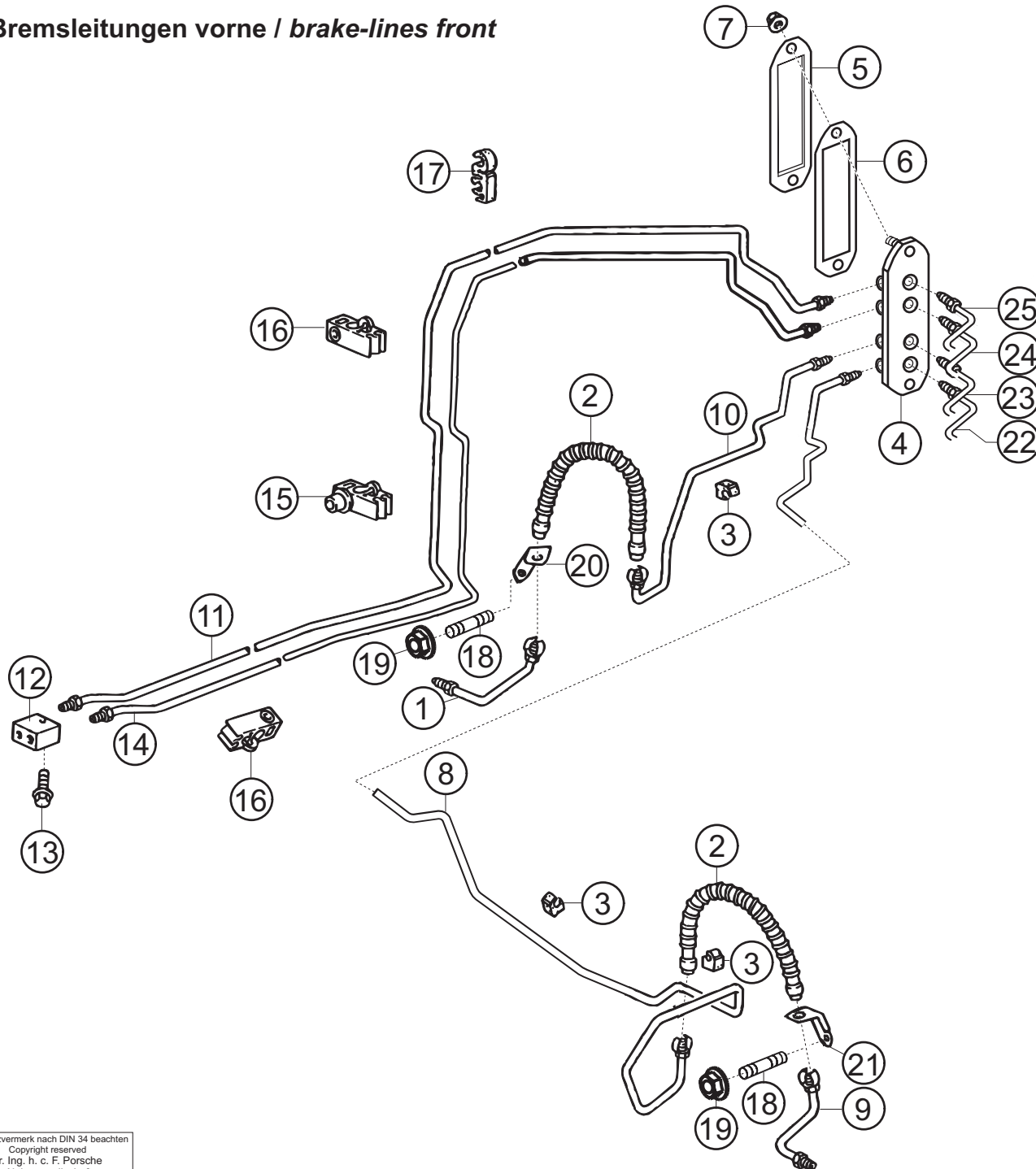
Schutzvermerk nach DIN 34 beachten
Copyright reserved
Dr. Ing. h. c. F. Porsche
Aktiengesellschaft

Waagebalken / brake adjustment



Pos.	Bezeichnung / Description	St./Pc	Teile Nr./Part no.
24	Druckstück <i>pressure part</i>	1	996.355.927.01
25	6KT-MU M6 <i>hex nut M6</i>	1	900.380.015.09
26	Stopfen <i>plug</i>	R 1	997.355.857.90
27	O-RING 7,65X1,65 <i>o-ring 7,65X1,65</i>	1	999.707.355.40
28	Distanzscheibe <i>spacer disk</i>	R 1	997.355.513.90
29	Potentiometer für Bremsbalance <i>potentiometer for brake balance</i>	R 1	997.641.811.90

Bremsleitungen vorne / brake-lines front

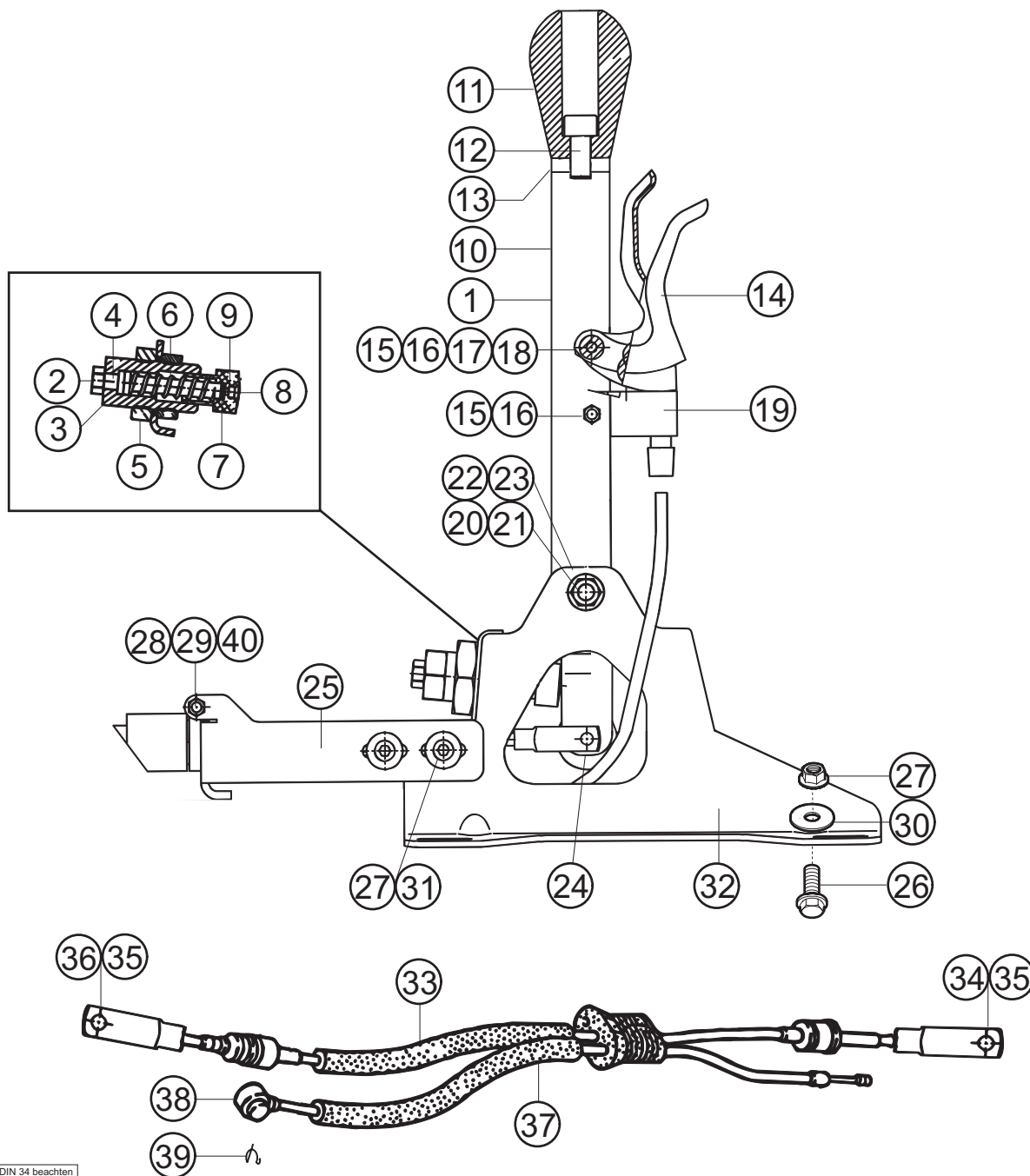


Pos.	Bezeichnung / Description	St./Pc	Teile Nr./Part no.
1	Bremsleitung links <i>brake-line left</i>	1	997.355.581.92
2	Bremsschlauch <i>brake hose</i>	2	996.355.139.01
3	Leitungshalter <i>line support</i>	n.B.	999.651.331.40
4	Zwischenstück <i>connecting piece</i>	1	997.355.650.00
5	Dichtung <i>sealing</i>	1	997.355.752.00
6	Verstärkung <i>reinforcement</i>	1	997.355.753.00
7	6KT-MU M6 <i>hex nut M6</i>	2	999.084.629.09
8	Bremsleitung vorne rechts <i>brake-line front right</i>	1	997.355.176.90
9	Bremsleitung rechts <i>brake-line right</i>	1	997.355.582.92
10	Bremsleitung vorne links <i>brake-line front left</i>	1	997.355.175.02
11	Bremsleitung links HA <i>brake-line left rear axle</i>	1	997.355.177.01
12	Verbindungsstück (4 Leitungen) <i>connecting piece (4 lines)</i>	1	996.355.760.31
13	6KT-SHR M6x35 <i>hex screw M6x35</i>	R 1	900.378.115.09
14	Bremsleitung rechts HA <i>brake-line right rear axle</i>	1	997.355.179.01
15	Halter 4,75x8,0 <i>support</i>	1	996.355.549.00
16	Halter 4,75x8,0 <i>support</i>	4	996.355.545.00
17	Halter 15/5/2,5/13/6 <i>support</i>	2	996.355.547.01
18	STIFT-SHR M6x16 <i>stud M6x16</i>	2	900.081.060.02
19	6KT-MU M6 <i>hex nut M6</i>	2	900.377.010.09
20	Bremsschlauchhalter links <i>support for brake-hose left</i>	1	996.355.501.06
21	Bremsschlauchhalter rechts <i>support for brake hose right</i>	1	996.355.502.06
22	Bremsleitung vorne rechts <i>brake-line front right</i>	R 1	997.355.326.90
23	Bremsleitung vorne links <i>brake-line front left</i>	R 1	997.355.327.90
24	Bremsleitung hinten rechts <i>brake-line rear right</i>	R 1	997.355.316.90

Pedalerie und Schaltung / *pedal system and shift linkage*

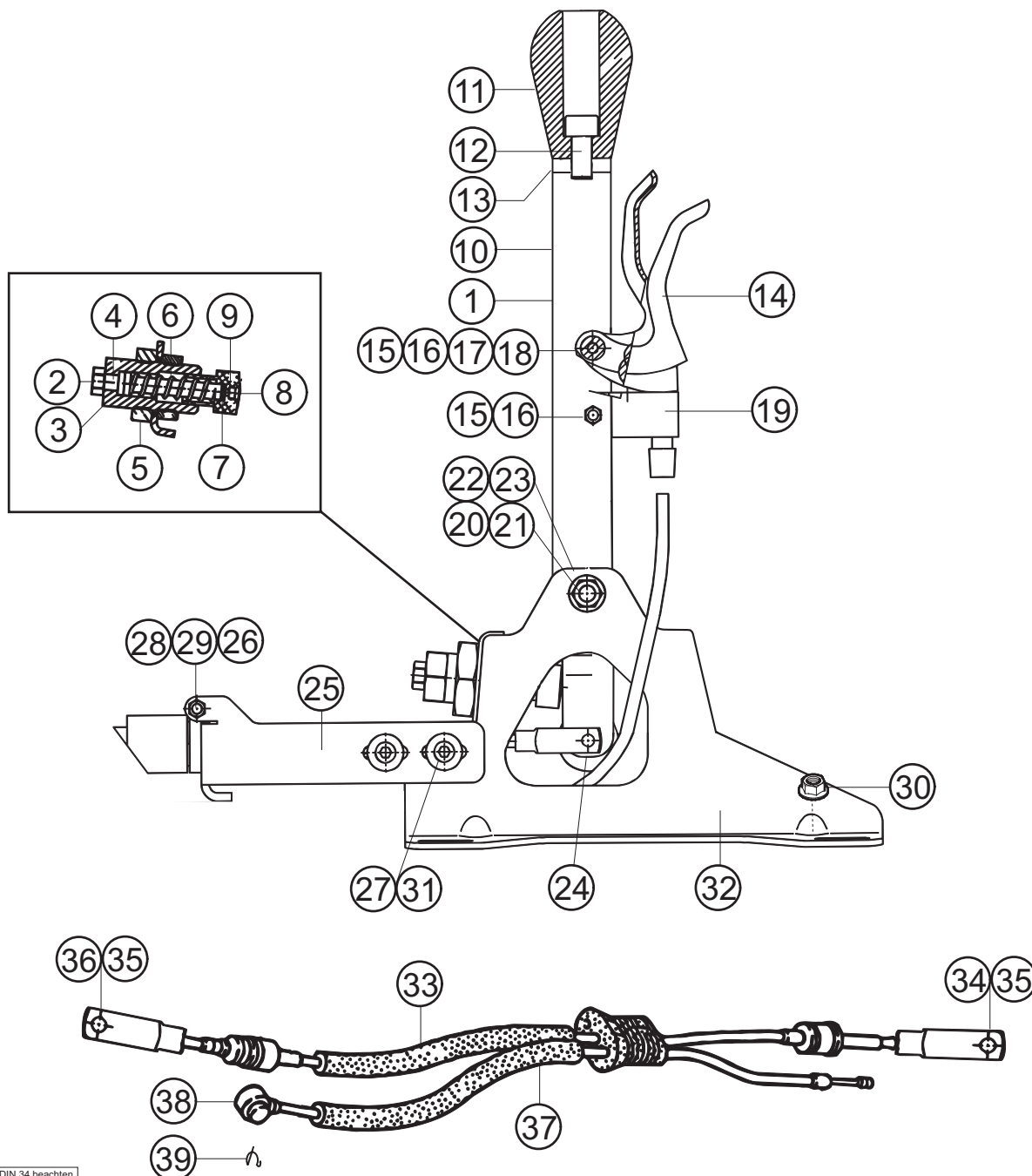
- Schaltbock + Schaltzüge / *gearshift lever + gearshift cable*
- Fußhebelwerk / *pedal system*
- Kupplungsbetätigung / *clutch control system*
- Gasbetätigung / *throttle control cable*

Schaltbock + Schaltzüge / gearshift lever + gearshift cable



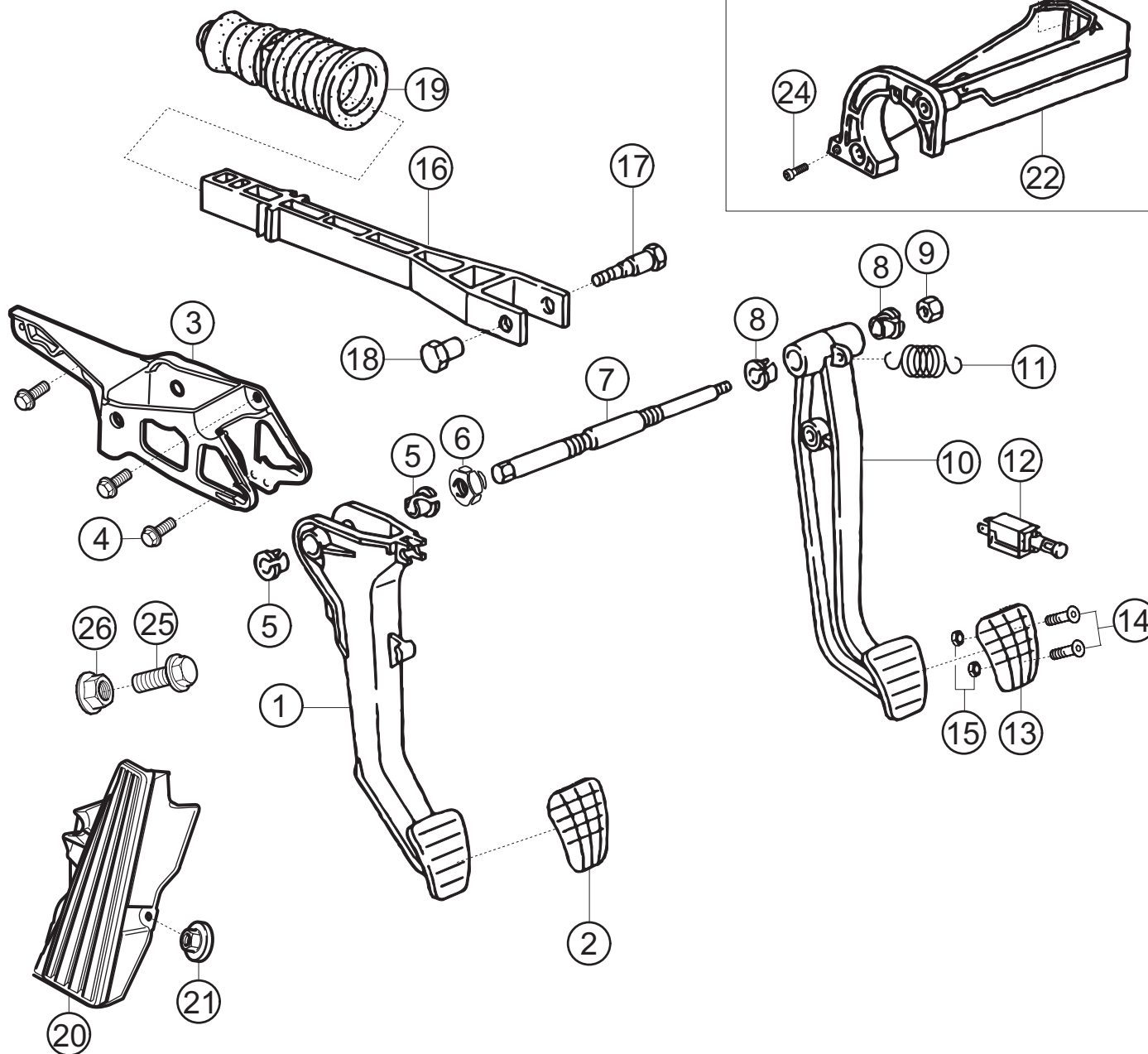
Pos.	Bezeichnung / Description	St./Pc.	Teile Nr./Part no.
1	Schaltbock komplett <i>gearshift-lever assembly</i>	R 1	997.424.010.90
2	Bolzen <i>bolt</i>	R 1	996.424.265.9A
3	Anschlaghülse <i>stop sleeve</i>	R 1	996.424.701.9A
4	Distanzscheibe 11,6X3 <i>spacer disk 11,6X3</i>	R 4	996.424.233.9A
5	Mutter <i>nut</i>	R 1	996.424.102.9A
6	Druckfeder 11X68,7 <i>pressure spring 11X68,7</i>	R 1	996.424.422.9A
7	Distanzscheibe 7,7X1 <i>spacer disk 7,7X1</i>	R 3	996.424.234.9A
8	LINSEN-SHR M3X12 <i>oval-head screw M3X12</i>	R 2	900.623.014.00
9	Bolzen <i>bolt</i>	R 1	996.424.228.9A
10	Schalthebel incl. Sensor <i>gearshift lever + sensor</i>	R 1	996.424.077.9E
11	Schaltknopf Delerin <i>gearshift knob</i>	R 1	996.424.105.9C
12	ZYL-SHR M10X50 <i>fillister screw M10X50</i>	1	900.067.123.01
13	Buchse <i>sleeve</i>	R 1	996.424.705.9E
14	Auslöseeinheit Rückwärtsgang <i>release device reverse gear</i>	R 1	996.424.248.9A
15	ZYL-SHR M5X30 <i>fillister screw M5X30</i>	2	900.067.005.02
16	6KT-MU M5 <i>hex nut M5</i>	R 2	900.817.005.02
17	Anlaufscheibe 12X1,9 <i>stop disk 12,x1,9</i>	R 2	996.424.226.9B
18	Distanzhülse <i>spacer sleeve</i>	R 1	996.424.227.9B
19	Halter Zug Rückwärtsgang <i>bracket reverse gear cable</i>	R 1	996.424.195.9B
20	6KT-SHR M8X60 <i>hex screw M8X60</i>	1	900.378.056.02
21	6KT-MU M8 <i>hex nut M8</i>	1	900.380.005.09
22	DU-Buchse 12X14 <i>bush 12X14</i>	R 2	996.424.405.9B
23	Distanzbuchse <i>spacer bush</i>	R 2	996.424.447.9C
24	Permaglide Buchse <i>slide bush</i>	R 1	996.424.407.9A
			07-01-00

Schaltbock + Schaltzüge / gearshift lever + gearshift cable



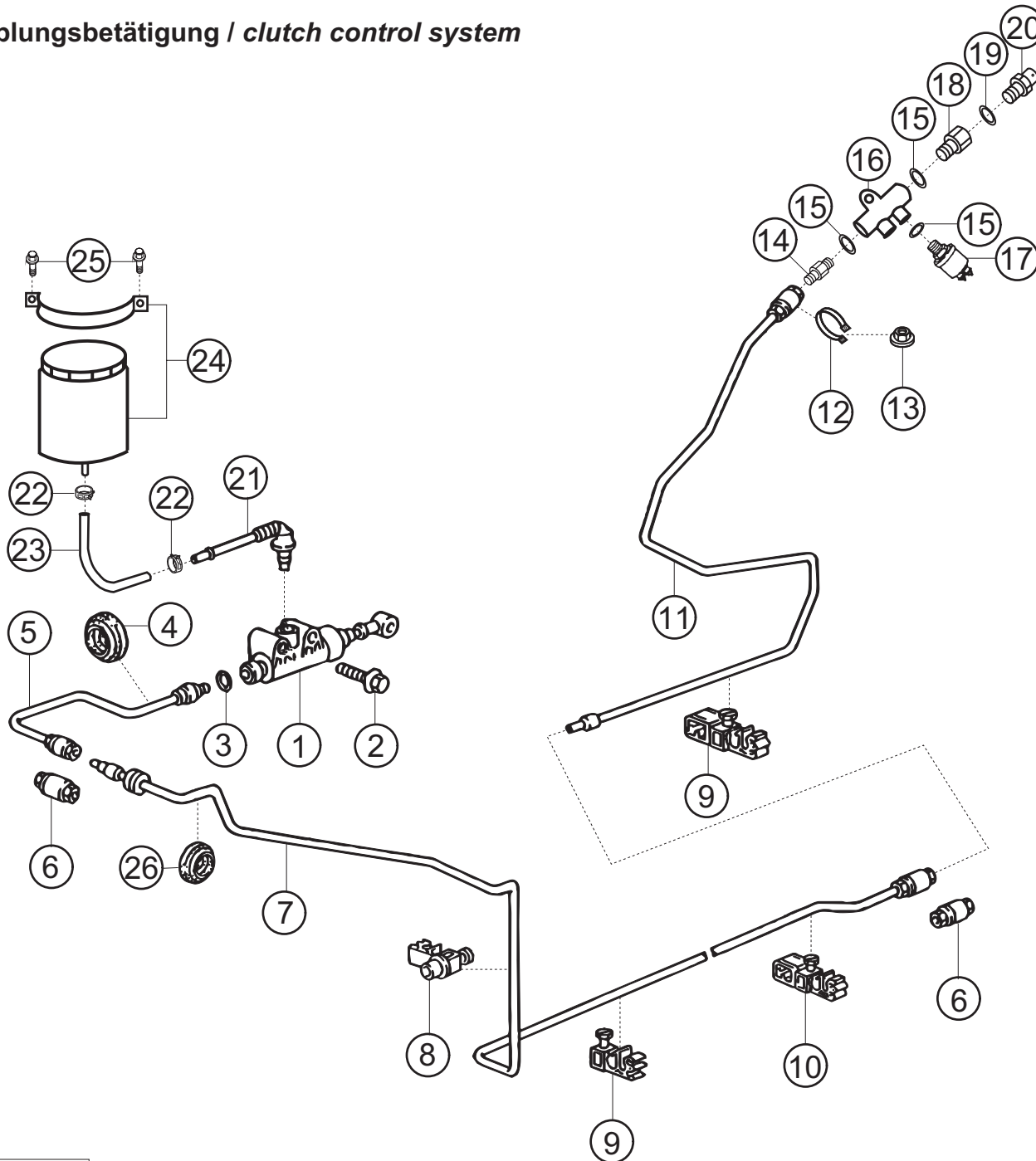
Pos.	Bezeichnung / Description	St./Pc.	Teile Nr./Part no.
25	Halter Schaltzug <i>bracket for gearshift cable</i>	R 1	996.424.437.9D
26	Hülse für Schaltzugsicherung <i>sleeve</i>	R 1	997.424.901.90
27	6KT-MU M6 <i>hex nut M6</i>	4	900.380.015.09
28	6KT-SHR M5X65 <i>hex screw M5X65</i>	R 1	900.074.175.02
29	6KT-MU M5 <i>hex nut M5</i>	R 1	900.817.005.02
30	6KT-MU M6 SB <i>hex nut M6</i>	R 4	999.084.633.09
31	6KT-SHR M6X16 <i>hex screw M6X16</i>	4	900.378.035.09
32	Konsole für Schalthebel <i>gearshift-lever bracket</i>	R 1	997.424.237.90
33	Schaltzüge komplett mit Tülle <i>control cable assembly</i>	R 1	997.424.040.90
	Schaltzug mit Tülle <i>control cable</i>	R 1	997.424.045.90
34	Gabelkopf (Linksgewinde) <i>fork end</i>	R 1	900.166.011.02
35	Bolzen 6X24 <i>bolt 6X24</i>	2	999.166.001.02
36	Gabelkopf Getriebeseite <i>fork-end (side of gearbox)</i>	1	900.166.002.02
37	Betätigungszug Rückwärtsgang <i>control cable for reverse gear</i>	R 1	997.424.055.90
38	Kugelpfanne <i>ball socket</i>	1	911.423.147.00
39	Sicherungsclip <i>securing clip</i>	1	900.169.014.02

Fußhebelwerk / pedal system



Pos.	Bezeichnung / Description	St./Pc	Teile Nr./Part no.
1	Kupplungsfußhebel <i>clutch pedal</i>	1	997.423.139.01
2	Gummikappe für Pedal <i>rubber cap for pedal</i>	1	997.423.910.00
3	Servofederhalter <i>servo spring support</i>	1	997.423.571.02
4	6KT-SHR M6X18 <i>hex screw M6X18</i>	3	900.378.273.09
5	Buchse <i>bushing</i>	2	997.423.399.01
6	Verschlußmutter <i>latch</i>	1	997.423.275.01
7	Pedalachse <i>pedal spindle</i>	1	997.423.281.00
8	Buchse <i>bushing</i>	2	996.423.399.01
9	6KT-MU M8 <i>hex nut M8</i>	1	900.380.005.09
10	Bremspedal mit Platte <i>brake pedal with plate</i>	R 1	996.423.091.90
11	Zugfeder 2,5X12,5 <i>tension spring 2,5X12,5</i>	1	999.522.033.00
12	Pedalschalter Bremse <i>brake-pedal switch</i>	1	996.613.113.01
13	Pedalplatte <i>plate for pedal</i>	R 1	996.423.341.90
14	SENK-SHR M6X15 <i>countersunk screw M6X15</i>	2	900.249.001.02
15	6KT-MU M6 <i>hex nut M6</i>	2	900.910.012.02
16	Bremsdruckstange <i>brake pressure rod</i>	1	996.423.165.05
17	Bolzen Bremsdruckstange <i>bolt for pressure rod</i>	1	996.423.308.00
18	Buchse <i>bushing</i>	1	996.423.307.00
19	Faltenbalg <i>rubber bellow</i>	R 1	996.423.269.04
20	Fußstütze komplett <i>footrest</i>	R 1	997.551.211.90
21	KUNST-MU <i>plastic nut</i>	2	999.076.081.40
22	Zwischenstück <i>intermediate piece</i>	1	997.423.251.00
23	6KT-MU M8 <i>hex nut M8</i>	2	900.380.005.09
24	KOMBI-SHR M6X12 <i>hex screw + washer M6X12</i>	1	900.067.240.02

Kupplungsbetätigung / clutch control system

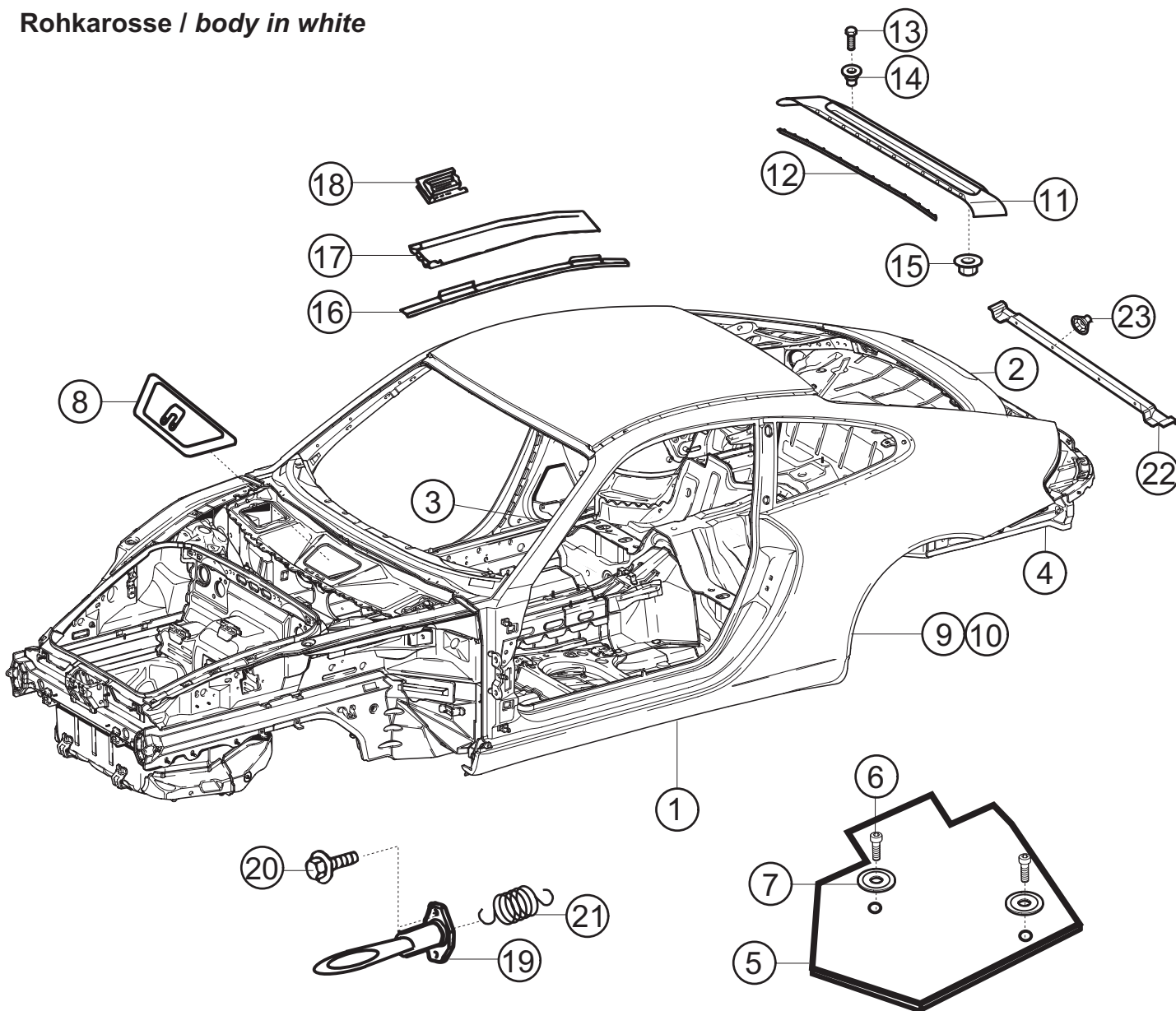


Pos.	Bezeichnung / Description	St./Pc	Teile Nr./Part no.
1	Kupplungsgeberzylinder <i>clutch master cylinder</i>	1	997.423.171.01
2	6KT-SHR M6X45 <i>hex screw M6X45</i>	2	900.378.270.09
3	Dichtring <i>sealing ring</i>	1	999.707.333.40
4	Tülle <i>rubber grommet</i>	1	999.702.216.42
5	Kupplungsleitung vorne <i>front clutch line</i>	1	996.423.107.10
6	Verschraubung <i>connecting piece</i>	2	999.230.541.10
7	Kupplungsleitung mitte <i>clutch line</i>	1	997.423.109.00
8	Halter <i>clip</i>	1	996.355.549.00
9	Halter <i>clip</i>	2	996.355.545.00
10	Halter groß <i>line clip</i>	4	996.355.543.00
11	Kupplungsleitung hinten <i>rear clutch line</i>	R 1	996.423.113.9A
12	HALT-SHE D1 20X15 <i>retaining clamp 20X15</i>	1	999.511.177.02
13	Kunststoffmutter <i>plastic nut</i>	1	999.049.022.40
14	Stutzen M10 - Dash 4 <i>connector M10 - Dash 4</i>	R 1	999.105.027.30
15	Dichtring 10X14X2 <i>sealing ring 10X14X2</i>	R 3	999.230.021.21
16	Verteilerstück <i>distributor part</i>	1	993.355.760.00
17	Drucksensor <i>pressure sensor</i>	1	Kap. 9 / chap. 9
18	Adapter <i>adapter part</i>	R 1	997.423.493.90
19	Dichtring 12X18 <i>sealing ring 12X18</i>	1	900.123.101.30
20	Schnelltrennkupplung Dash 4 <i>dash 4 coupling</i>	R 1	999.230.563.30
21	Nachlaufleitung <i>supply line</i>	1	997.423.137.00
22	Klemmschelle <i>clamping collar</i>	2	999.512.568.02
23	Nachlaufleitung <i>supply line</i>	R 1	997.423.138.90
24	Behälter <i>reservoir</i>	R 1	964.355.019.00

Karosserie / Body

- Rohkarosse / *body in white*
- Domstrebe / *suspension cross-brace*
- Kotflügel / *fender*
- Radhausschalen / *wheel-house protector*
- Unterbodenverkleidung / *underbody panelling*
- Kofferraumdeckel / *front cover*
- Bugverkleidung / *front-end covering*
- Heckverkleidung / *rear-end covering*
- Heckdeckel und -spoiler / *rear cover and spoiler*
- Türen / *doors*
- Verglasung / *windows*
- Tragrahmen / *support frame*
- Schalttafelverkleidung / *instrument board*
- Rennsitz / *race seat*
- Gebläseeinheit / *blower unit*
- Lüftungsdüsen / *ventilation vent*
- Windlauf / *cowl panel*

Rohkarosse / body in white

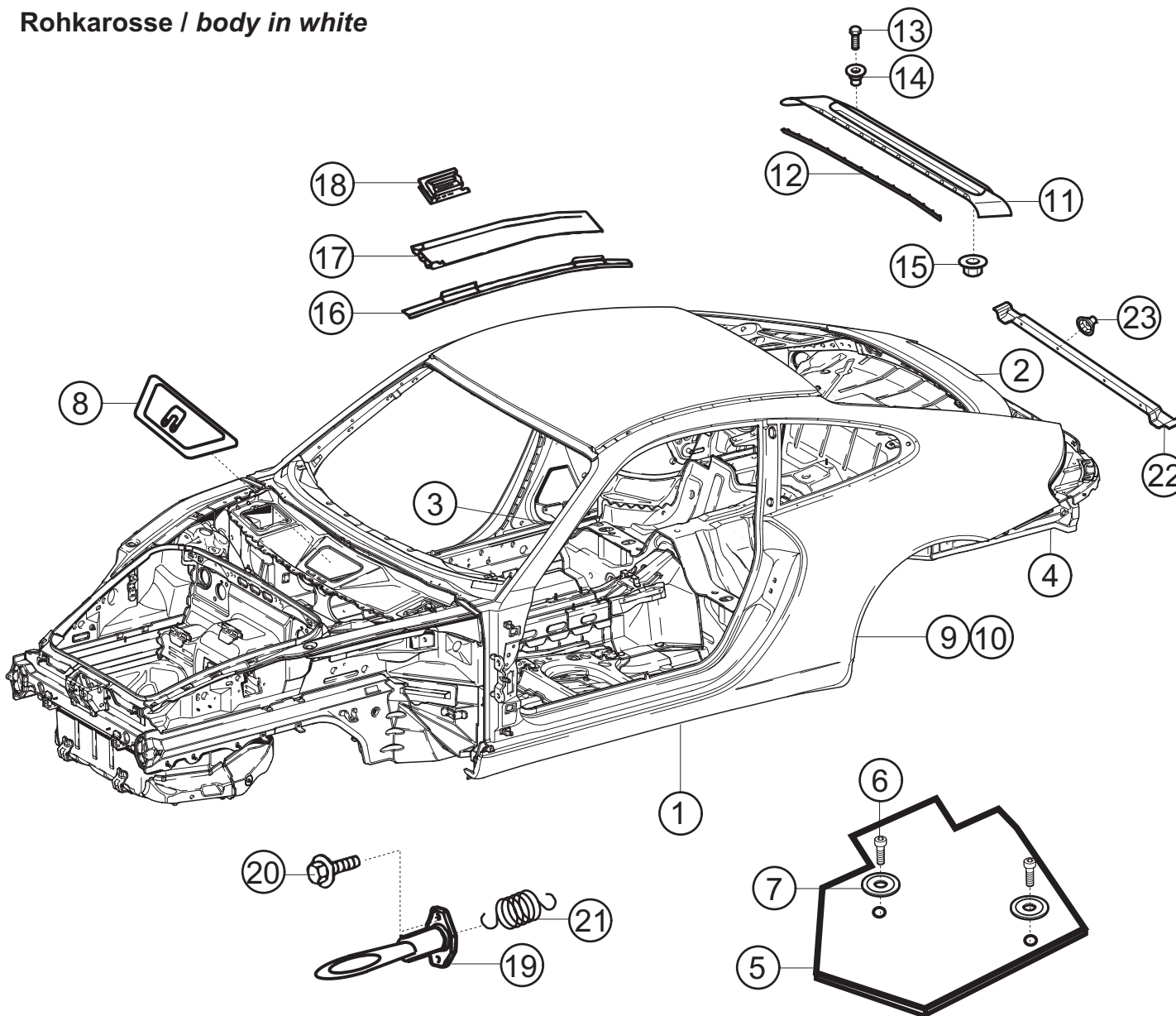


Die Rohkarosserie des 911 GT3 Cup Baujahr 2007 entspricht der Serienkarosserie des 911 GT3. Die Einzelteile sind über die Porsche-Zentren zu beziehen.

The chassis-parts of the 911 GT3 Cup, built in 2007, are equal to the standard 911 GT3 and can be ordered via the Porsche dealers.

Pos.	Bezeichnung / Description	S./P.	Teile Nr./Part no.
1	Rohkarosse GT3 Cup <i>body in white GT3 Cup</i>	R 1	997.500.003.92
2	Hitzeschutzmatte Motorraum <i>heat protection shield</i>	R 1	997.505.483.90
3	Trägerplatte Steuergerät <i>supporting plate</i>	R 1	996.618.122.9A
o.B.	FL-KPF-SHR M5x12 <i>pan head screw M5x12</i>	R 4	999.015.010.07
o.B.	FL-KPF-SHR M5x20 <i>pan head screw M5x20</i>	R 4	900.623.002.00
4	Querträger Motorlagerpunkte <i>cross member</i>	R 1	997.501.253.90
5	Bodenbrett <i>floor board</i>	R 1	997.551.153.90
6	ZYL-SHR M6x16 <i>fillister screw M6x16</i>	2	900.119.091.02
7	Distanzscheibe <i>spacer disk</i>	R 2	964.551.895.00
8	Dichtungsdeckel <i>sealing cover</i>	R 1	996.572.263.90
9	Gummistopfen 20x30 <i>rubber plug 20x30</i>	1	803.803.583.A
10	Gummistopfen 30x40 <i>rubber plug 30x40</i>	1	803.803.583
11	Heckmittelteil <i>rear end middle-section</i>	1	997.504.345.03 GRV
12	Dichtung <i>sealing</i>	1	997.504.612.00
13	KOMBI-SHR M6x16 <i>hex screw+washer M6x16</i>	R 3	999.073.331.09
14	Blindnietmutter M6 <i>pop rivet nut M6</i>	3	999.500.109.02
15	6KT-MU M6 <i>hex nut M6</i>	2	999.076.029.02
16	Dachkantenleiste links <i>roof strip left</i>	R 1	997.559.201.00 B9A
	Dachkantenleiste rechts <i>roof strip right</i>	R 1	997.559.202.00 B9A
17	Dichtung links <i>sealing left</i>	1	997.559.721.00
	Dichtung links <i>sealing left</i>	1	997.559.722.00
18	Befestigungsclips <i>fastening clips</i>	10	996.559.403.01
19	Abschlepphaken vorne <i>front towing-hook</i>	R 1	997.722.693.90
	Abschlepphaken hinten <i>rear towing-hook</i>	R 1	996.722.693.92

Rohkarosse / body in white

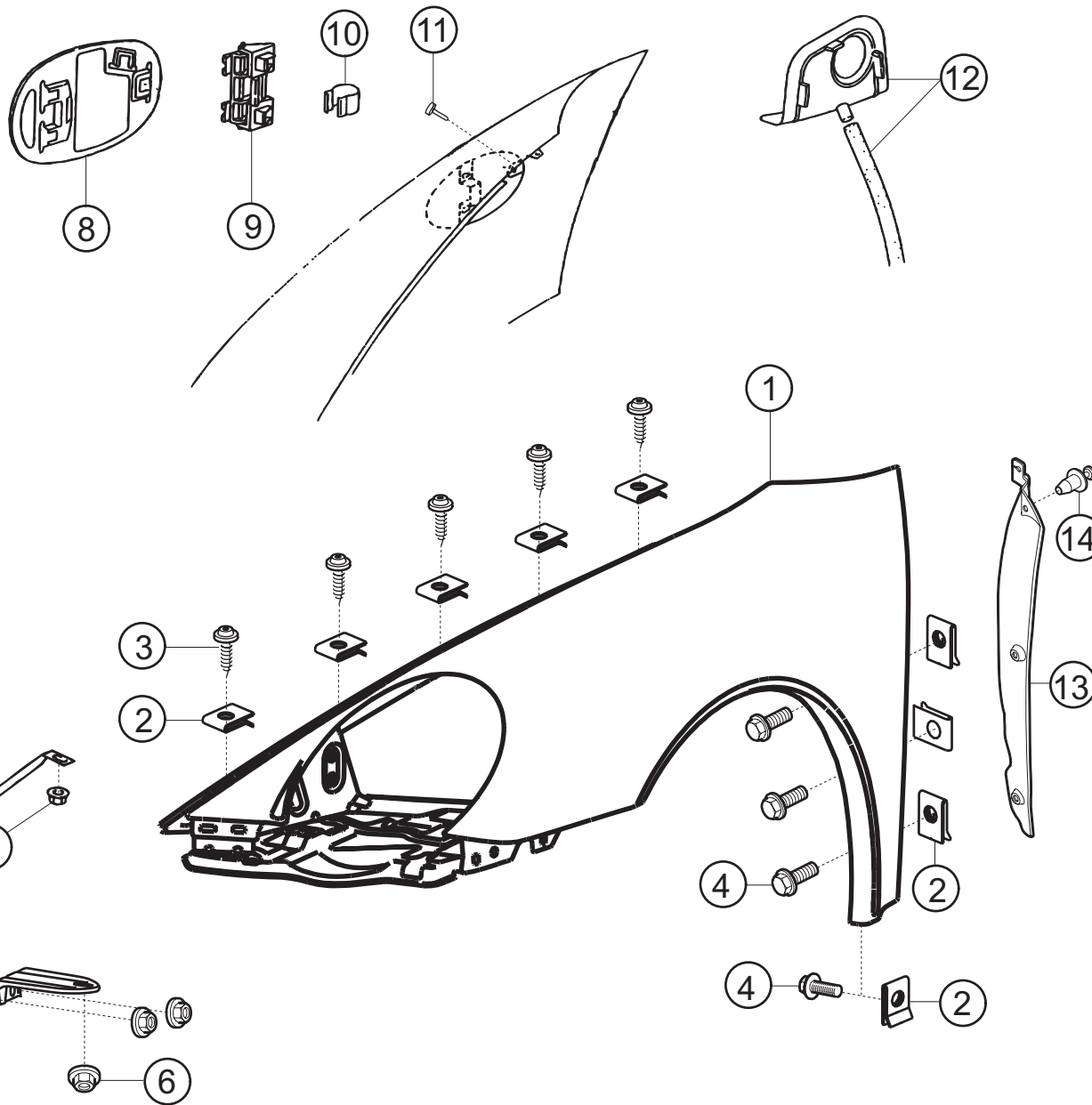


Pos.	Bezeichnung / Description	S./P.	Teile Nr./Part no.
20	6KT-SHR M8x30 <i>hex screw M8x30</i>	n.B.	900.378.267.09
21	Zugfeder <i>return spring</i>	R 1	996.722.801.90
22	Hitzeschutz Mitte <i>heat Protection shield</i>	1	996.505.471.00
23	6KT-MU T5 <i>hex nut T5</i>	4	999.049.025.09
o.B.	Gummiüberzug Überrollkäfig <i>foam-rubber cushion set</i>	R 1	997.580.371.91
o.B.	Einschweißteil Radkasten hi./li. <i>weld-in part wheelhouse left</i>	R 1	997.501.183.91
o.B.	Einschweißteil Radkast. hi./re. <i>weld-in part wheelhouse ri.</i>	R 1	997.501.184.91

Die Rohkarosserie des 911 GT3 Cup Baujahr 2007 entspricht der Serienkarosserie des 911 GT3. Die Einzelteile sind über die Porsche-Zentren zu beziehen.

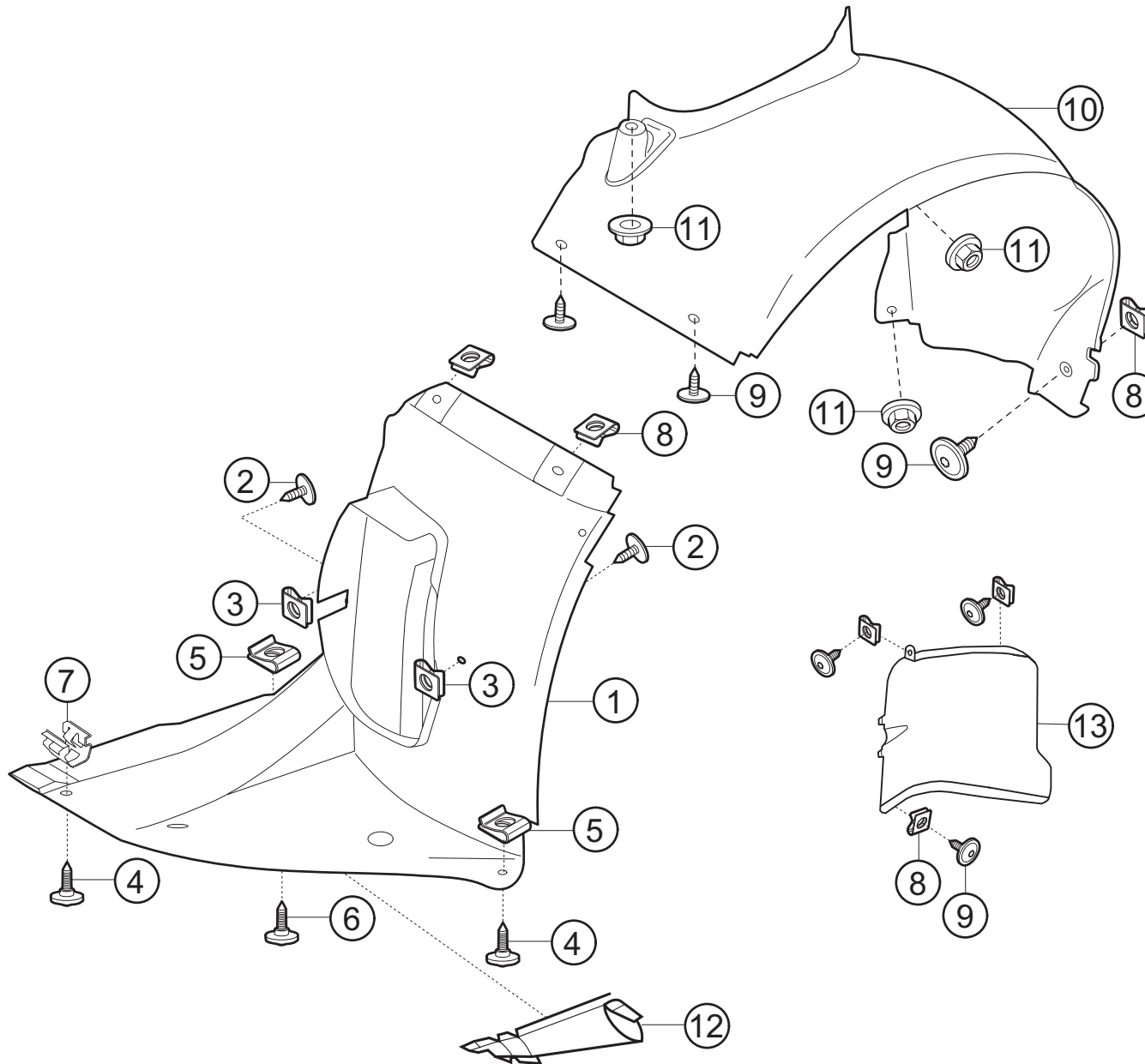
The chassis-parts of the 911 GT3 Cup, built in 2007, are equal to the standard 911 GT3 and can be ordered via the Porsche dealers.

Kotflügel / fender



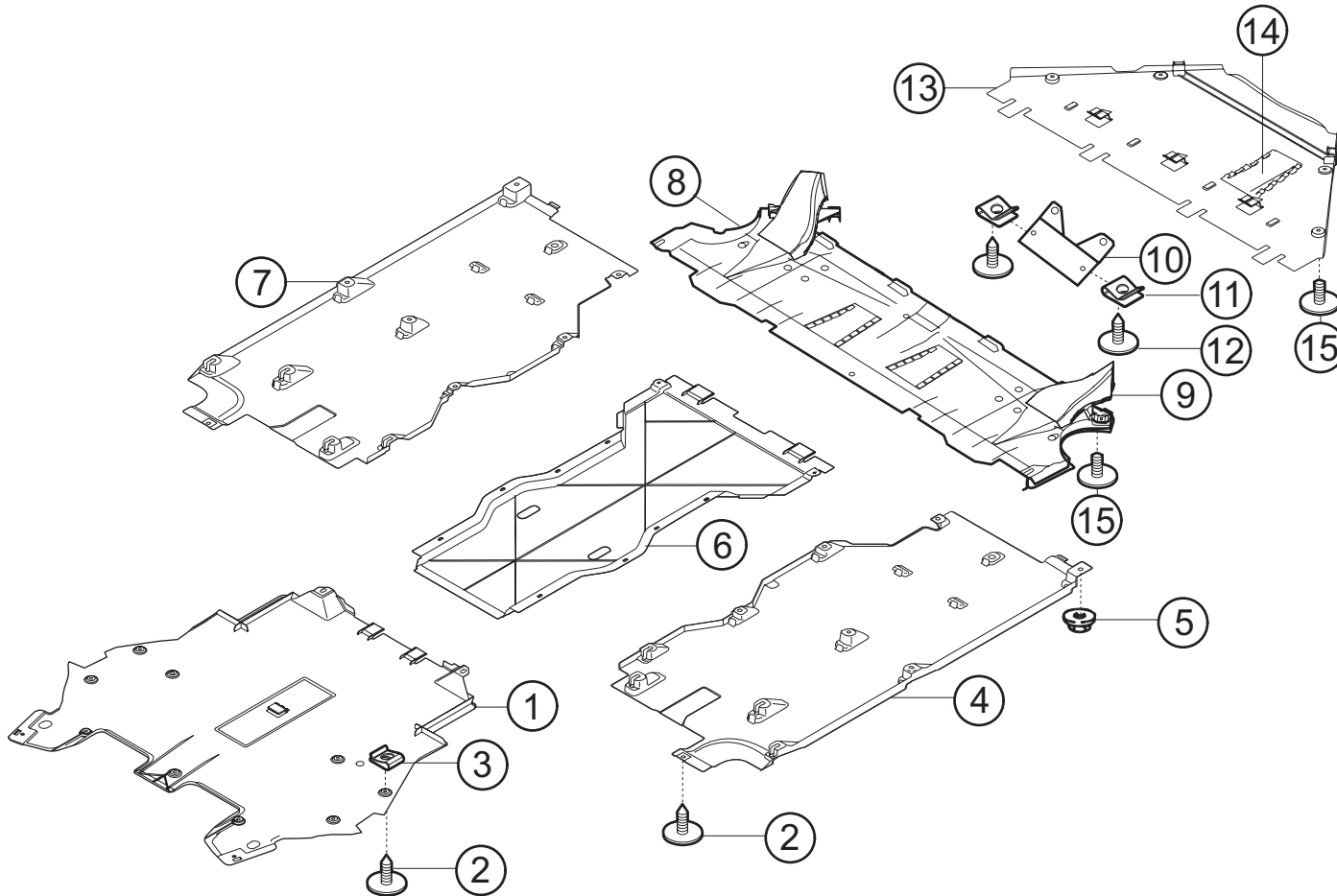
P.	Bezeichnung / Description	St./Pc.	Teile Nr./Part no.
1	Kotflügel links <i>fender left</i>	1	997.503.031.00 GRV
	Kotflügel rechts <i>fender right</i>	1	997.503.032.02 GRV
2	BLECH-MU ST 6,3 <i>plate nut ST 6,3</i>	9	999.507.003.02
3	BLECH-SHR ST 6,3x14 <i>tapping screw ST 6,3x14</i>	5	999.073.422.02
4	KOMBI-SHR ST6,3x12 <i>screw+washer ST 6,3x12</i>	4	900.187.111.02
5	Strebe <i>brace</i>	2	997.504.441.00 GRV
6	6KT-MU M6 <i>hex nut M6</i>	5	900.377.010.09
7	Halter Kotflügel <i>fender bracket</i>	2	997.504.555.00 GRV
8	Tankklappe <i>fuel door</i>	1	997.504.134.00 GRV
9	Scharnier <i>hinge</i>	1	996.201.063.00
10	Feder <i>spring</i>	1	996.201.413.01
11	Anschlagpuffer <i>rubber buffer</i>	1	997.504.888.01
12	Gummi-Stulpe + Schlauch <i>rubber boot + hose</i>	R 1	997.201.067.00
13	Sichtschutzblende links <i>plastic cover left</i>	1	997.504.641.02 01C
	Sichtschutzblende rechts <i>plastic cover right</i>	1	997.504.642.02 01C
14	Spreizniet <i>spreader rivet</i>	3	999.591.712.40

Radhausschalen / wheel-house protector



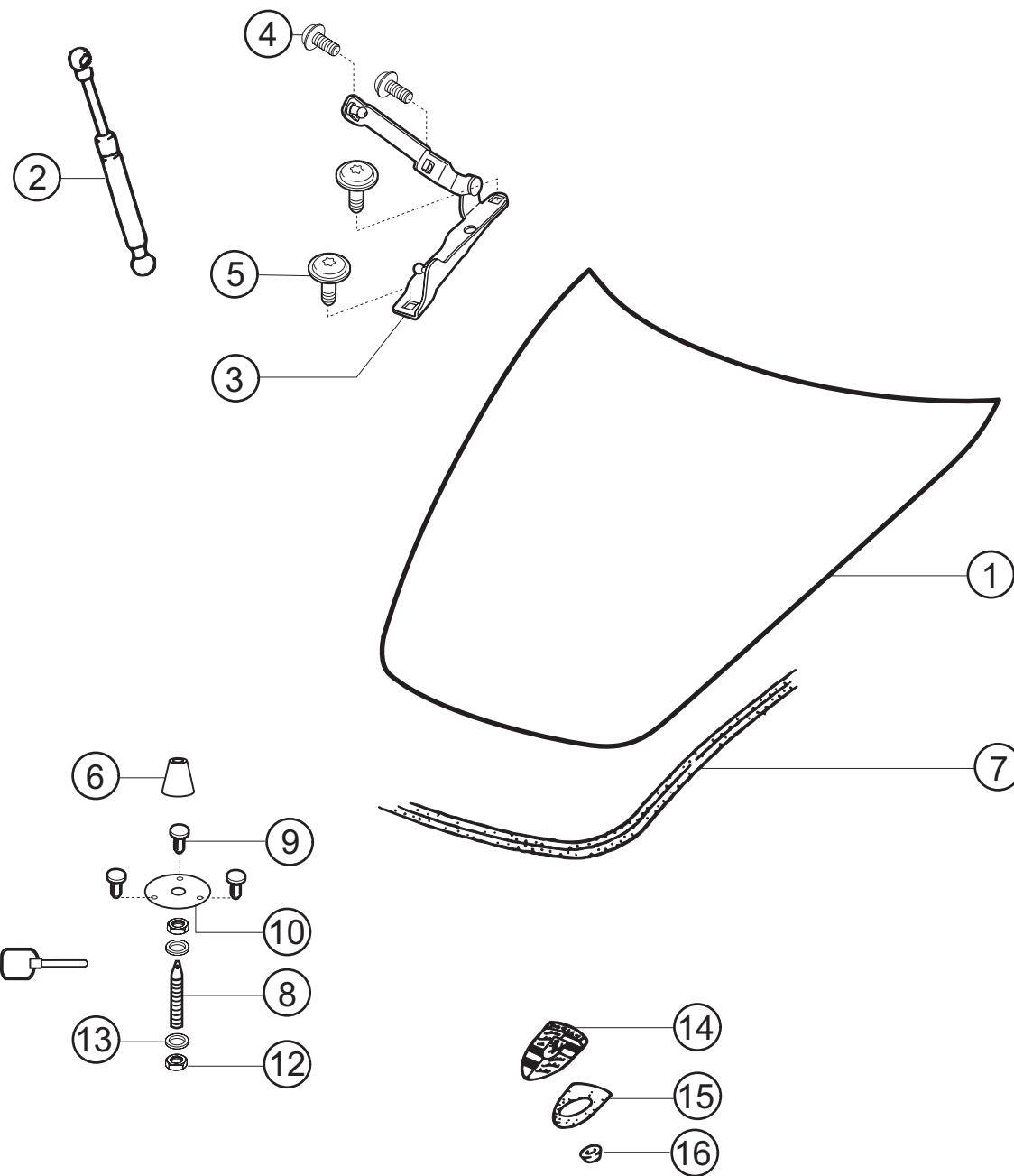
Pos.	Bezeichnung / Description	St./Pc	Teile Nr./Part no.
1	Radhausschale links vorne <i>wheel-house protector left front</i>	R 1	997.504.123.91
	Radhausschale rechts vorne <i>wheel-house protector right front</i>	R 1	997.504.124.91
2	BLECH-SHR ST4,8x16 <i>tapping screw ST 4,8x16</i>	2	999.073.231.09
3	Blechmutter ST4,8 <i>plate nut</i>	2	999.591.350.02
4	BLECH-SHR ST4,8x19 <i>tapping screw ST 4,8x19</i>	3	999.073.227.09
5	Blechmutter ST4,8 <i>plate nut</i>	2	999.507.795.09
6	BLECH-SHR ST4,8x16 <i>tapping screw ST4,8x16</i>	1	999.073.231.09
7	PSTO-KFG ST4,8 <i>cage nut ST4,8</i>	1	999.591.329.02
8	Blechmutter ST4,8 <i>plate nut</i>	5	999.507.795.09
9	BLECH-SHR ST4,8x16 <i>tapping screw ST 4,8x16</i>	5	999.073.231.09
10	Radhausschale links <i>wheel-house protector left</i>	1	997.504.203.00
	Radhausschale rechts <i>wheel-house protector right</i>	R 1	997.504.204.00
11	Kunststoffmutter T5 <i>plastic nut T5</i>	3	999.049.007.40
12	Luftführung links <i>air guide left</i>	1	996.504.603.02
	Luftführung rechts <i>air guide right</i>	1	996.504.604.02
13	Luftschaufel links <i>air guide left</i>	R 1	997.575.231.90
	Luftschaufel rechts <i>air guide right</i>	R 1	997.575.232.90

Unterbodenverkleidung / *underbody panelling*



Pos.	Bezeichnung / Description	St./Pc	Teile Nr./Part no.
1	Abdeckung vorne mit Loch <i>underbody panelling front</i>	R 1	997.504.527.90
2	BLECH-SHR 4,8x16 <i>tapping screw 4,8x16</i>	11	999.073.231.09
3	BLECH-MU 4,8 <i>plate nut 4,8</i>	11	999.507.795.09
4	Abdeckung Mitte links <i>underbody panelling middle left</i>	1	997.504.343.02
5	Kunststoffmutter T5 <i>plastic nut T5</i>	26	999.049.007.40
6	Abdeckung Mitte <i>underbody panelling middle</i>	R 1	997.504.043.90
7	Abdeckung Mitte rechts <i>underbody panelling middle right</i>	R 1	997.504.344.91
8	Abdeckung hinten <i>underbody panelling rear</i>	R 1	997.504.629.94
9	Bremsluftkanal HA links <i>brake air-guide left</i>	R 1	997.575.183.90
	Bremsluftkanal HA rechts <i>brake air-guide right</i>	R 1	997.575.184.90
10	Halteblech Unterboden hinten <i>bracket</i>	R 1	997.504.217.90
11	BLECH-MU 4,8 <i>plate nut 4,8</i>	2	999.591.699.02
12	BLECH-SHR 4,8x19 <i>tapping screw 4,8x19</i>	2	999.073.227.09
13	Abdeckung Getriebe <i>underbody panelling gearbox</i>	R 1	997.504.429.90
14	Verschlussplatte <i>closing plate</i>	R 1	997.504.739.90
15	LI-SHR M5X15 <i>oval head screw M5X15</i>	6	999.073.250.09

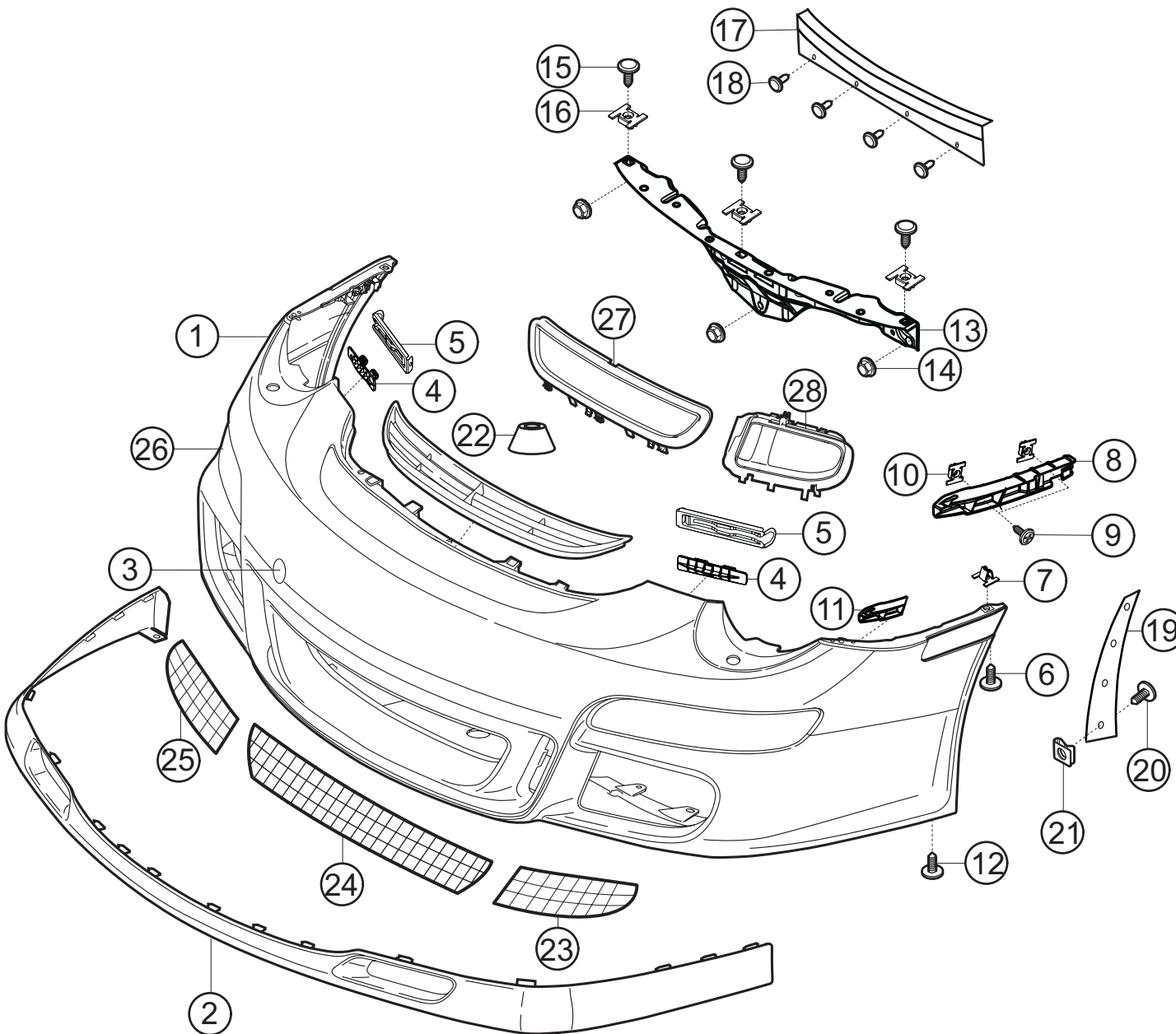
Kofferraumdeckel / front cover



Pos.	Bezeichnung / Description	St./Pc	Teile Nr./Part no.
1	Kofferraumdeckel <i>front cover</i>	R 1	997.511.011.90
2	Gasdruckfeder <i>gas pressure spring</i>	1	997.511.551.01
3	Scharnier links <i>hinge left</i> Scharnier rechts <i>hinge right</i>	1	997.511.151.01 997.511.152.01
4	LINSEN-SHR M6x12 <i>oval-head screw M6x12</i>	4	999.073.357.09
5	LINSEN-SHR M6x20 <i>oval-head screw M6x20</i>	4	999.073.348.09
6	Gummipuffer <i>rubber buffer</i>	2	999.703.140.41
7	Deckeldichtung <i>sealing for cover</i>	1	997.511.611.00
8	Bolzen für Haubensicherung <i>bolt for hood locking</i>	R 2	993.511.541.70
9	Niet 3,2x5,8 <i>rivet</i>	R 6	N .016.185.2
10	Platte für Haubensicherung <i>disk</i>	R 2	993.511.543.70
11	Klappstecker <i>safety clip</i>	R 2	993.511.321.70
12	Mutter M10 flach <i>hex nut M10</i>	4	900.034.003.02
13	U-SHB 10 <i>plain washer 10</i>	4	900.025.008.09
14	Deckelwappen <i>Porsche symbol</i>	1	996.559.211.01
15	Unterlage <i>support</i>	1	7L5.853.611.B
16	Schneidmutter 3,0 <i>cutting nut</i>	1	999.591.423.03

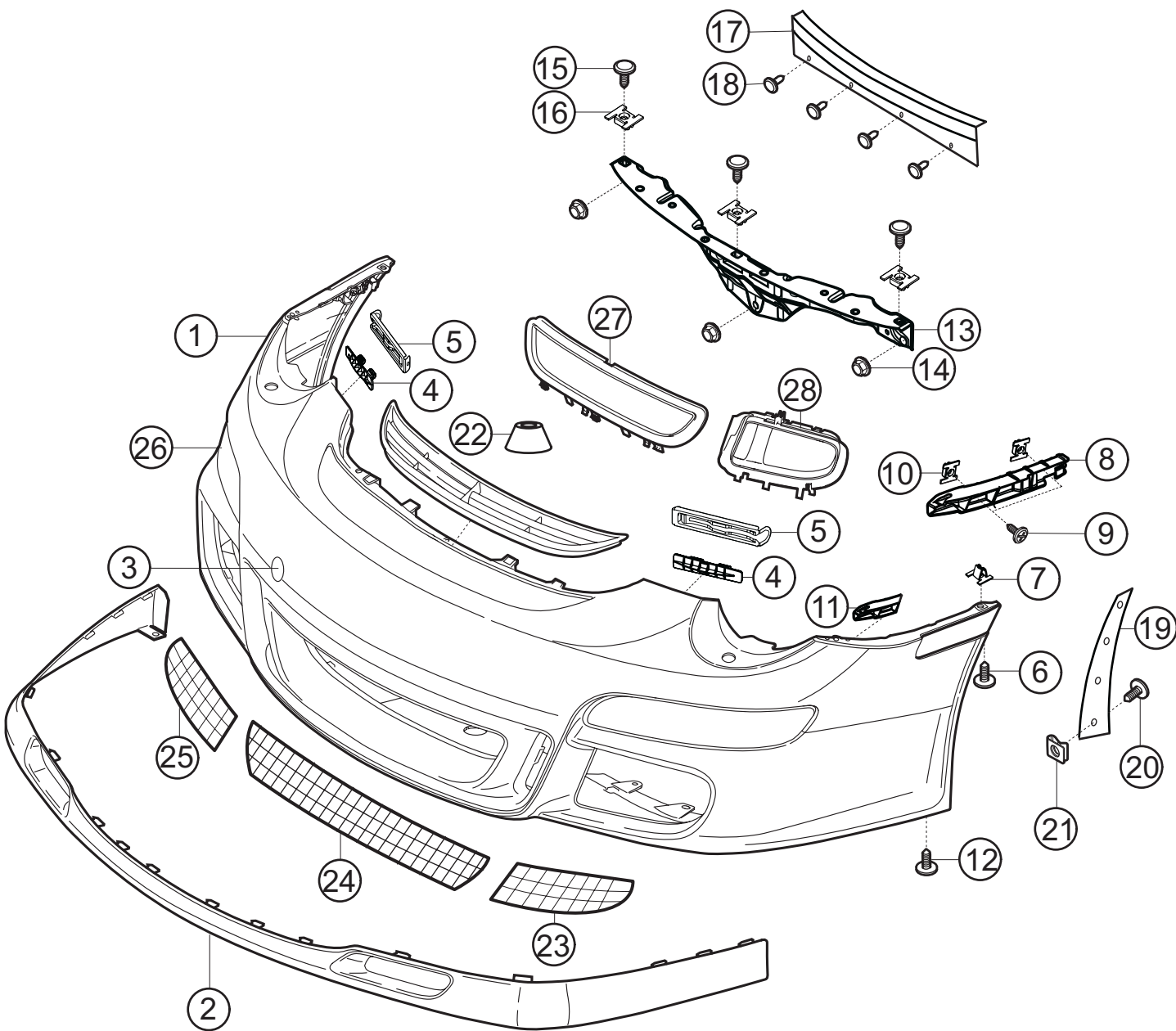
Frontschürze / front end covering

Pos.	Bezeichnung / Description	St./Pc.	Teile Nr./Part no.
1	Bugverkleidung+Blende <i>front-end covering</i>	R 1	997.505.980.91 G2X
2	Spoilerlippe geschlossen <i>spoiler closed</i>	R 1	997.505.983.90
	Spoilerlippe offen <i>spoiler open</i>	R 1	997.505.983.91
3	Abdeckung Abschleppöse <i>cap for towing-eye hole</i>	1	997.505.991.00 900
4	Halteplatte <i>bracket</i>	R 2	997.505.317.00
5	Bugteilfixierung <i>clamp</i>	2	997.505.719.00
6	BLECH-SHR ST4,8x19 <i>tapping screw ST4,8x19</i>	2	999.073.227.09
7	PSTO-KFG ST4,8 <i>cage nut ST4,8</i>	2	999.507.849.01
8	Halteleiste links <i>fastening strip left</i>	1	997.505.535.01
	Halteleiste rechts <i>fastening strip right</i>	1	997.505.536.01
9	BLECH-SHR ST4,8x16 <i>tapping screw ST4,8x16</i>	4	999.073.314.09
10	PSTO-KFG ST4,8 <i>cage nut ST4,8</i>	4	999.507.849.01
11	Eckteil links <i>edge part left</i>	1	997.505.301.00
	Eckteil rechts <i>edge part right</i>	1	997.505.302.00
12	BLECH-SHR ST4,8x19 <i>tapping screw ST4,8x19</i>	7	999.073.227.09
13	Halteleiste Mitte <i>fastening strip middle</i>	1	997.505.531.00
14	6KT-MU M6 <i>hex nut M6</i>	3	999.076.078.09
15	BLECH-SHR ST4,8x19 <i>tapping screw ST4,8x19</i>	3	999.073.227.09
16	PSTO-KFG ST4,8 <i>cage nut ST4,8</i>	3	999.507.849.01
17	Luftführung <i>air guide</i>	R 1	997.505.952.90
18	Spreizmutter ST4,2 <i>spreader nut ST4,2</i>	4	999.591.941.40
19	Abrisskante <i>separation edge</i>	R 2	997.505.355.90
20	BLECH-SHR ST4,8x16 <i>tapping screw ST4,8x16</i>	4	N .906.487.02
21	BLECH-MU ST4,2 <i>plate nut ST4,2</i>	4	999.591.699.02



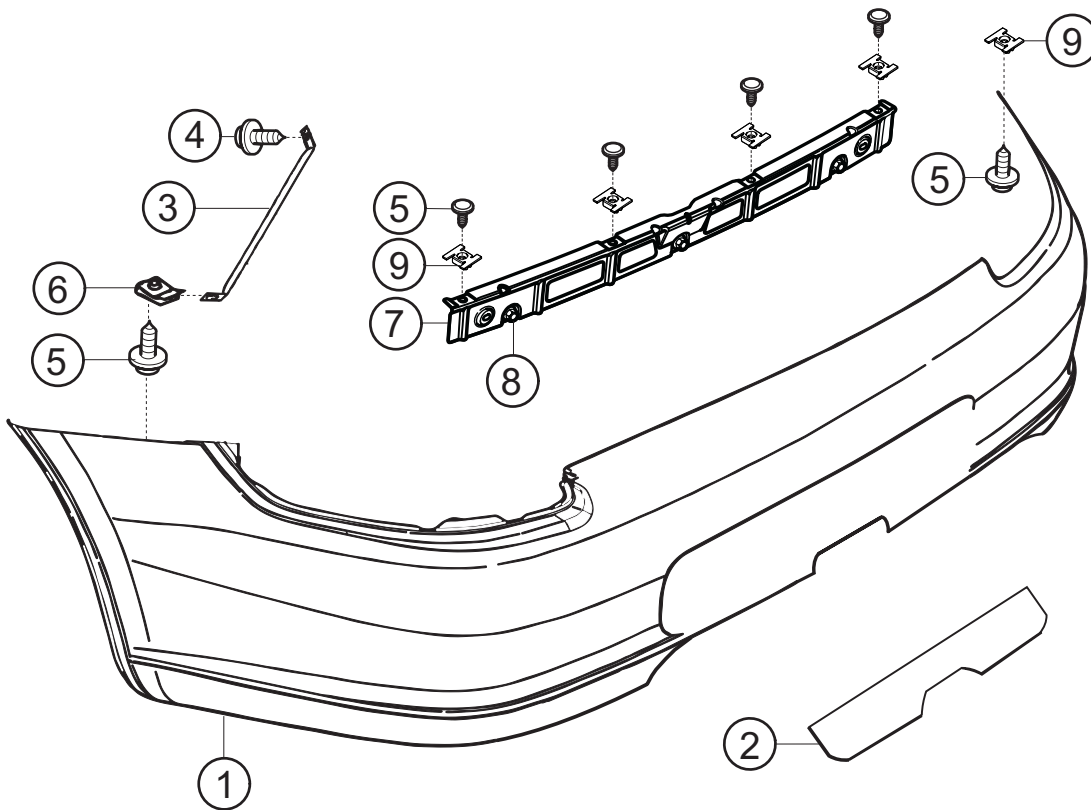
Frontschürze / front end covering

Pos.	Bezeichnung / Description	St./Pc.	Teile Nr./Part no.
22	Befestigungsbock <i>fastening support</i>	1	997.505.993.00
23	Lüftungsgitter links <i>air grille left</i>	R 1	997.505.323.90
24	Lüftungsgitter Mitte <i>air grille middle</i>	R 1	997.505.321.90
25	Lüftungsgitter rechts <i>air grille right</i>	R 1	997.505.324.90
26	Scheinwerferblende links <i>additional lamp cover left</i>	R 1	997.505.335.90 900
	Scheinwerferblende rechts <i>additional lamp cover right</i>	R 1	997.505.336.90 900
27	Halterahmen Mitte <i>retaining frame middle</i>	1	997.505.541.01 01C
28	Halterahmen links <i>retaining frame left</i>	R 1	997.505.987.00 01C
	Halterahmen rechts <i>retaining frame right</i>	R 1	997.505.988.00 01C

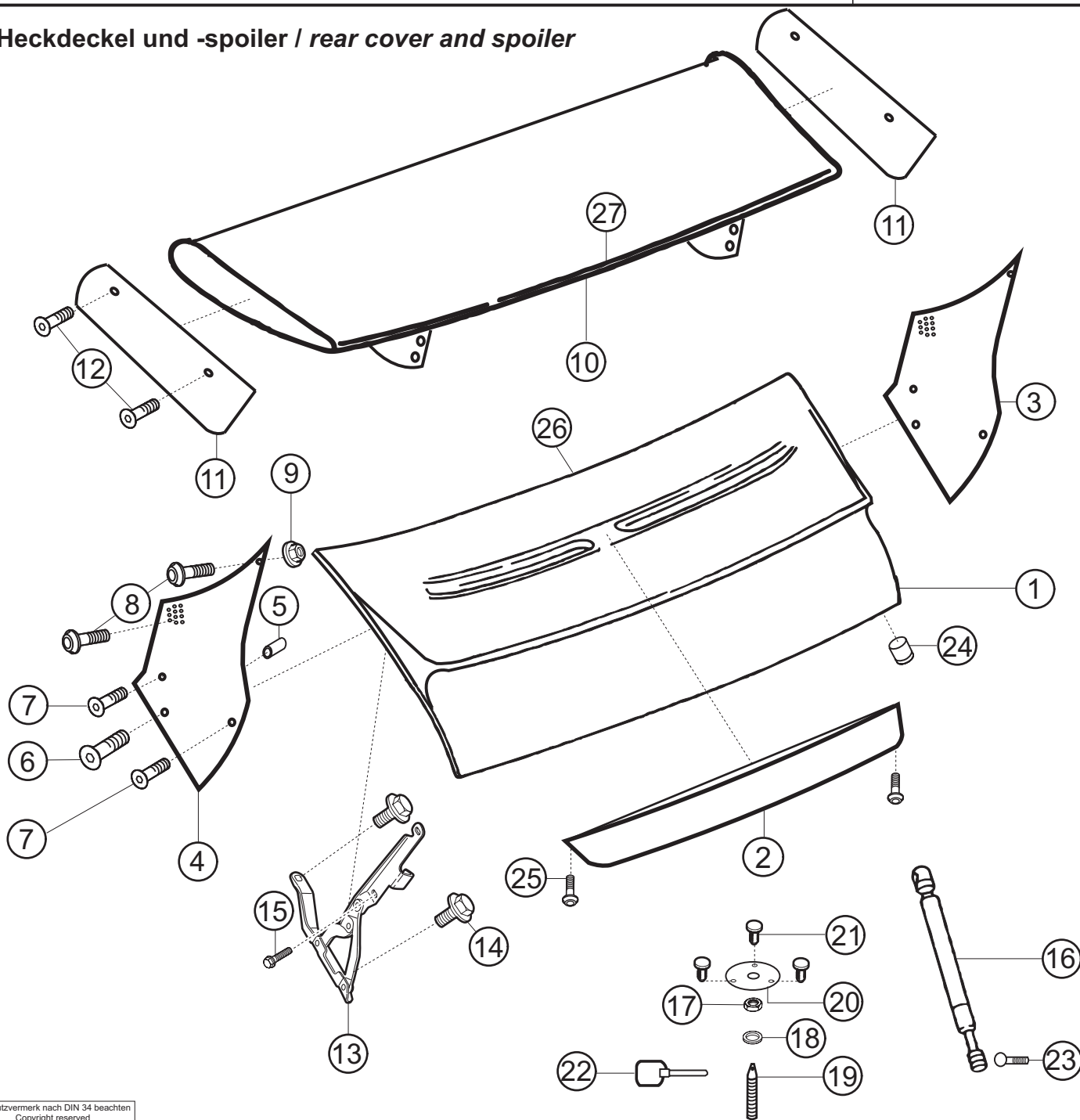


Heckverkleidung / rear-end cowling

Pos.	Bezeichnung / Description	St./Pc	Teile Nr./Part no.
1	Heckschürze rear-end cowling	R 1	997.505.411.90
2	Hitzeschutz (Satz) heat-protection mat (set)	R 1	997.505.481.90
3	Strebe links brace left	1	997.505.681.01
	Strebe rechts brace right	1	997.505.682.01
4	6KT-SHR M6x16 hex screw M6x16	2	900.378.035.09
5	BLECH-SHR ST4,8X16 tapping screw ST4,8X16	10	999.073.231.09
6	BLECH-MU ST4,8 plate nut	2	999.507.795.09
7	Befestigungsleiste fixing strip	1	997.505.641.02
8	6KT-MU M6 hex nut M6	3	999.076.078.09
9	PSTO-KFG ST4,8 cage nut ST4,8	8	999.507.849.01

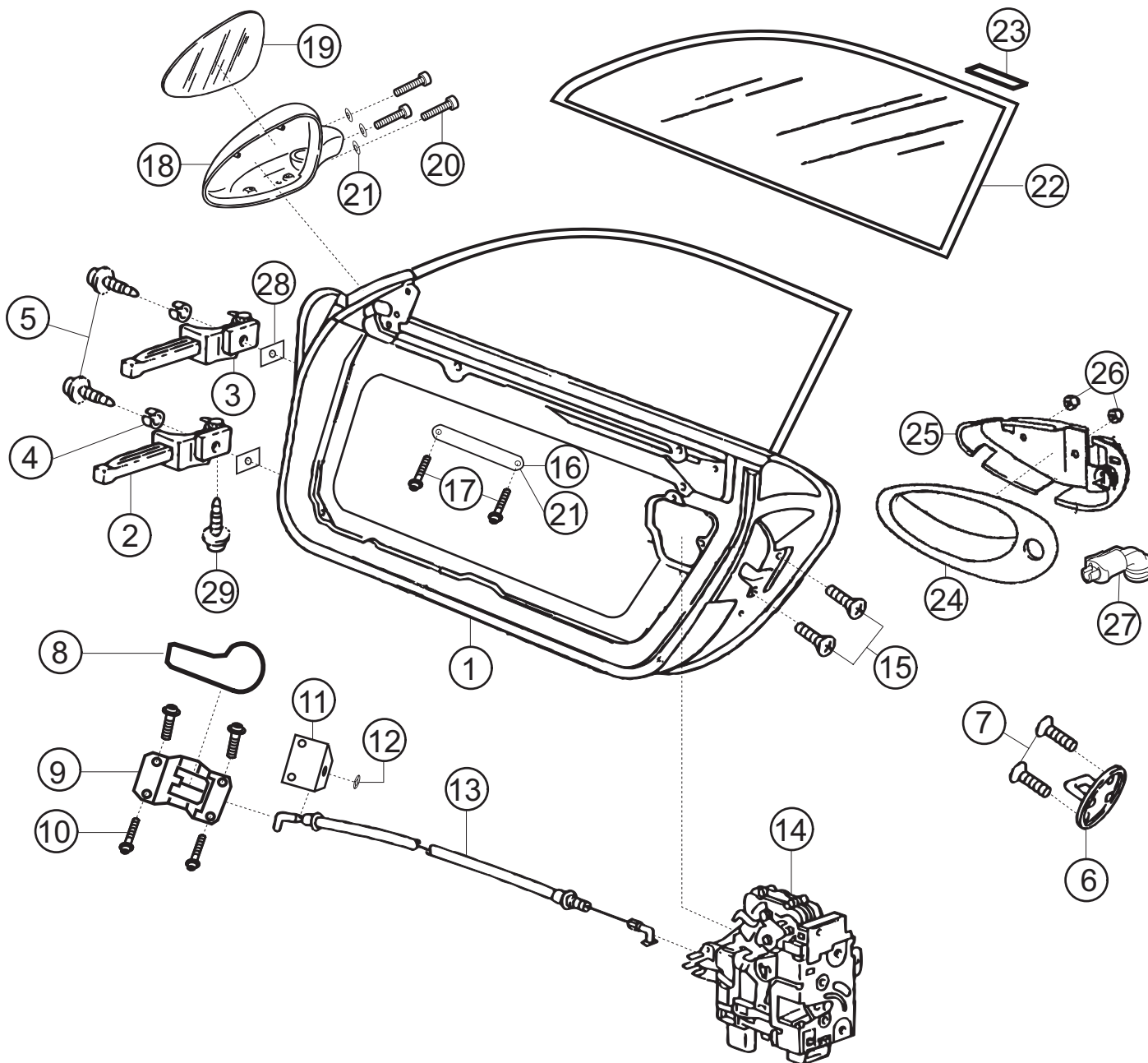


Heckdeckel und -spoiler / rear cover and spoiler



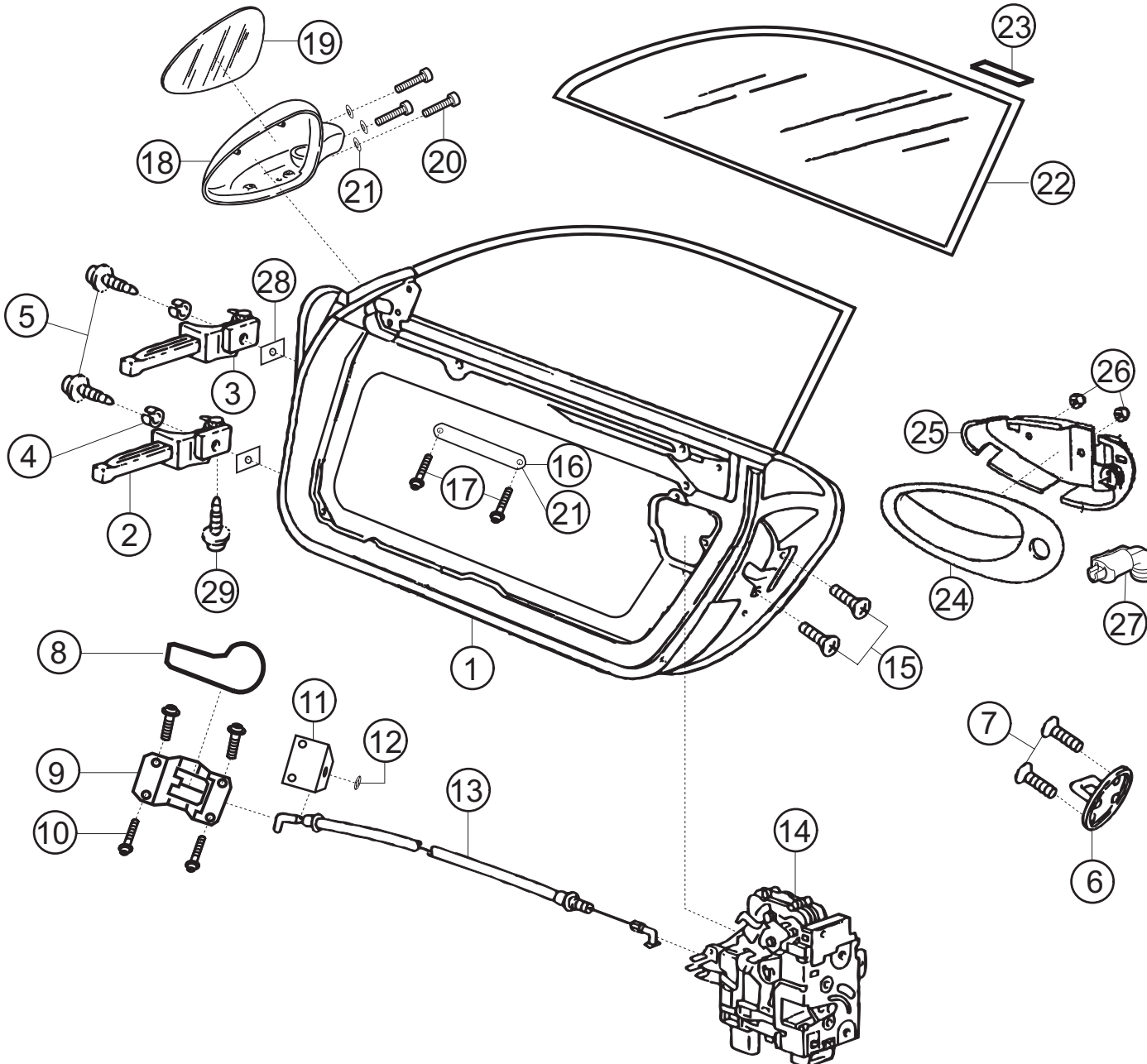
Pos.	Bezeichnung / Description	St./Pc	Teile Nr./Part no.
1	Heckdeckel ohne Flügel <i>rear cover without wing</i>	R 1	997.512.991.90
2	Lufthutze <i>air duct</i>	R 1	997.512.931.90
3	Flügelstütze rechts <i>wing support right</i>	R 1	997.512.982.91
4	Flügelstütze links <i>wing support left</i>	R 1	997.512.981.91
5	Distanzhülse <i>spacer sleeve</i>	R 2	996.512.979.90
6	SENK-SHR M6x30 <i>countersunk screw M6x30</i>	R 2	900.249.071.00
7	SENK-SHR M6x16 <i>countersunk screw M6x16</i>	4	900.249.041.01
8	LINSEN-SHR M6x12 <i>oval-head screw M6x12</i>	4	900.623.007.00
9	Sicherungsmutter M6 <i>securing nut M6</i>	R 4	900.817.001.02
10	Heckflügel <i>rear wing</i>	R 1	997.512.992.90
11	Seitenplatte links <i>left side plate</i>	R 1	997.512.963.91
	Seitenplatte rechts <i>right side plate</i>	R 1	997.512.964.91
12	SENK-SHR M5x12 <i>countersunk screw M5x12</i>	4	900.249.034.02
13	Scharnier links <i>hinge left</i>	1	997.512.151.02
	Scharnier rechts <i>hinge right</i>	1	997.512.152.01
14	KOMBI-SHR M6x16 <i>screw+washer M6x16</i>	4	900.075.466.09
15	6KT-SHR M6x18 <i>hex screw M6x18</i>	2	900.378.214.01
16	Gasdruckfeder <i>gas pressure spring</i>	1	997.512.551.00
17	MU M10 flach <i>nut M10 flat</i>	2	900.034.003.02
18	U-SHB A10 <i>plain washer A10</i>	R 2	900.025.008.09
19	Bolzen Haubensicherung <i>bolt for hood locking</i>	R 2	993.511.541.70
20	Platte für Haubensicherung <i>disk</i>	R 2	996.511.543.90
21	Niet 3,3x5 <i>rivet</i>	R 6	N .016.185.2
22	Klappstecker <i>safety clip</i>	R 2	993.511.321.70

Türen / doors



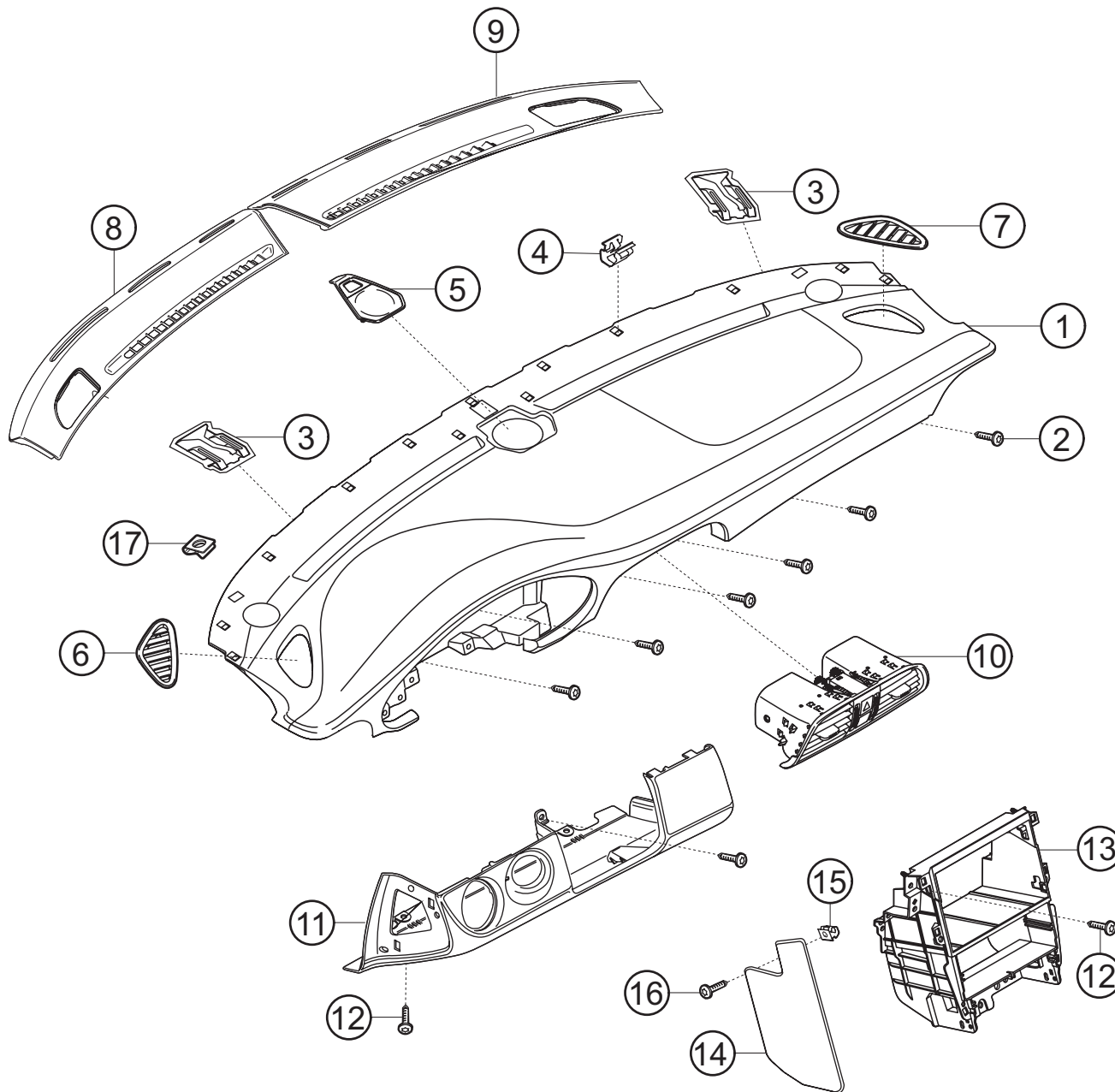
Pos.	Bezeichnung / Description	St./Pc.	Teile Nr./Part no.
1	Türe links door left	R 1	997.531.211.90
	Türe rechts door right	R 1	997.531.212.90
2	Scharnier links unten hinge left below	1	997.531.319.00
	Scharnier rechts unten hinge right below	1	997.531.320.00
3	Scharnier links oben hinge left on top	1	997.531.321.00
	Scharnier rechts oben hinge right on top	1	997.531.322.00
4	Hülse sleeve	2	996.531.831.00
5	FL-KPF-SHR M8X25 oval head screw M8X25	2	999.073.138.09
6	Schließbügel striker	1	3C0.837.767 A
7	SENK-SHR M8X22 countersunk screw M8X22	2	N .910.174.01
8	Betätigungsgriff links actuating lever left	1	944.537.225.00.3DL
	Betätigungsgriff rechts actuating lever right	1	944.537.226.00.3DL
9	Innenbetätigung links inner actuation left	R 1	996.537.029.9A
	Innenbetätigung rechts inner actuation right	R 1	996.537.030.9A
10	FL-KPF-SHR M5X20 oval head screw M5X20	4	900.623.002.00
11	Widerlager Betätigungszug actuation cable support	R 1	996.537.161.91
12	KLM-SHB 5,0 calmping disk 5,0	1	999.591.946.02
13	Betätigungszug actuation cabel	1	996.537.320.03
14	Türschloß links door lock left	R 1	3B1.837.015
	Türschloß rechts door lock right	R 1	3B2.837.016
15	SHR M8X20 screw M8X20	2	WHT.000.439
16	Zuziehband pulling strap	R 1	996.537.835.90
17	FL-KPF-SHR M5X20 pan-head screw M5X20	R 2	900.623.002.00
18	Spiegel links komplett mirror assembly left	R 1	997.731.019.90

Türen / doors



Pos.	Bezeichnung / Description	St./Pc.	Teile Nr./Part no.
18	Spiegel rechts komplett <i>mirror assembly right</i>	R 1	997.731.020.90
19	Spiegelglas links <i>mirror glas left</i>	R 1	996.731.035.90
	Spiegelglas rechts <i>mirror glas right</i>	R 1	996.731.036.90
20	LI-SHR M5X16 <i>oval head screw M5X16</i>	3	999.073.269.09
21	O-Ring 4,00X1,5 <i>o-ring 4,00X1,5</i>	R 7	999.701.849.40
22	Türscheibe links <i>plastic window left</i>	R 1	997.542.511.90
	Türscheibe rechts <i>plastic window right</i>	R 1	997.542.512.90
23	Türdichtgummi 100mm <i>door seal 100mm</i>	R 1	996.537.175.9A
24	Türaußengriff links <i>outside door handle left</i>	R 1	997.537.061.01 B9A
	Türaussengriff rechts <i>outside door handle right</i>	R 1	997.537.062.01 B9A
25	Halter Türgriff links <i>door handle bracket left</i>	R 1	997.537.063.90
	Halter Türgriff rechts <i>door handle bracket right</i>	R 1	997.537.064.90
26	6KT-MU M6-SB <i>hex nut M6-SB</i>	2	900.380.015.09
27	Verbindungsstück <i>connecting piece</i>	1	997.537.445.03
28	Einstellscheibe Türe <i>shim for door</i>	R n.B.	996.531.723.90
29	6KT-SHR M6X12 <i>hex screw M6X12</i>	2	999.072.043.09

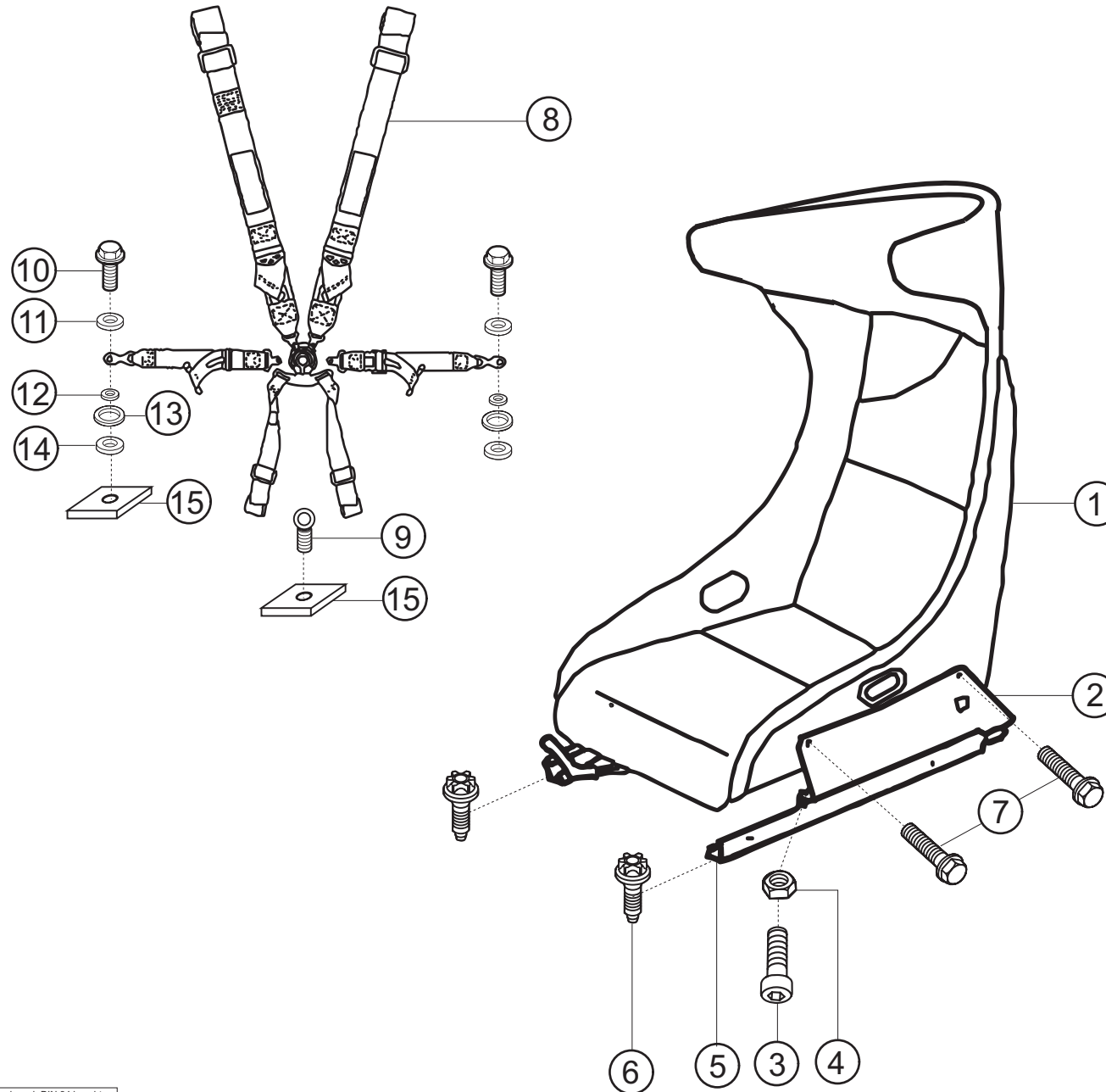
Schalttafelverkleidung / instrument board



Pos.	Bezeichnung / Description	St./Pc.	Teile Nr./Part no.
1	Schalttafel Cup <i>instrument board Cup</i>	R 1	997.552.101.90
2	BLECH-SHR 4,2X16 <i>tapping screw 4,2X16</i>	n.B.	999.073.226.09
3	Klammer Schalttafel <i>clamp for instrument board</i>	R 2	999.507.921.01
4	Steckklammer <i>plug clamp</i>	n.B.	999.507.732.01
5	Blende Mitte <i>cover</i>	1	997.552.351.01 A03
6	Abdeckung links <i>cover left</i>	1	997.552.455.01 A03
7	Abdeckung rechts <i>cover right</i>	1	997.552.456.01 A03
8	Defrosterblende links <i>defroster cover left</i>	1	997.552.175.01 A03
9	Defrosterblende rechts <i>defroster cover right</i>	1	997.552.176.01 A03
10	Ausströmer Mitte <i>air outlet middle</i>	1	997.552.141.06 V04
11	Verkleidung unten komplett <i>covering assembly below</i>	R 1	997.552.201.90
12	BLECH-SHR 4,2X13 <i>tapping screw 4,2X13</i>	7	999.073.155.09
13	Träger Mittelkonsole <i>support center console</i>	R 1	997.553.111.90
14	Blende seitlich links <i>cover left</i>	1	997.553.217.02
	Blende seitlich rechts <i>cover right</i>	1	997.553.218.02
15	Käfigmutter ST 4,2 <i>cage nut ST 4,2</i>	4	999.591.508.02
16	BLECH-SHR 4,2X16 <i>tapping screw 4,2X16</i>	4	999.073.226.09
17	BLECH-MU ST4,2 <i>plate nut ST4,2</i>	n.B.	999.507.971.01

Schutzvermerk nach DIN 34 beachten
Copyright reserved
Dr. Ing. h. c. F. Porsche
Aktiengesellschaft

Rennsitz / race seat

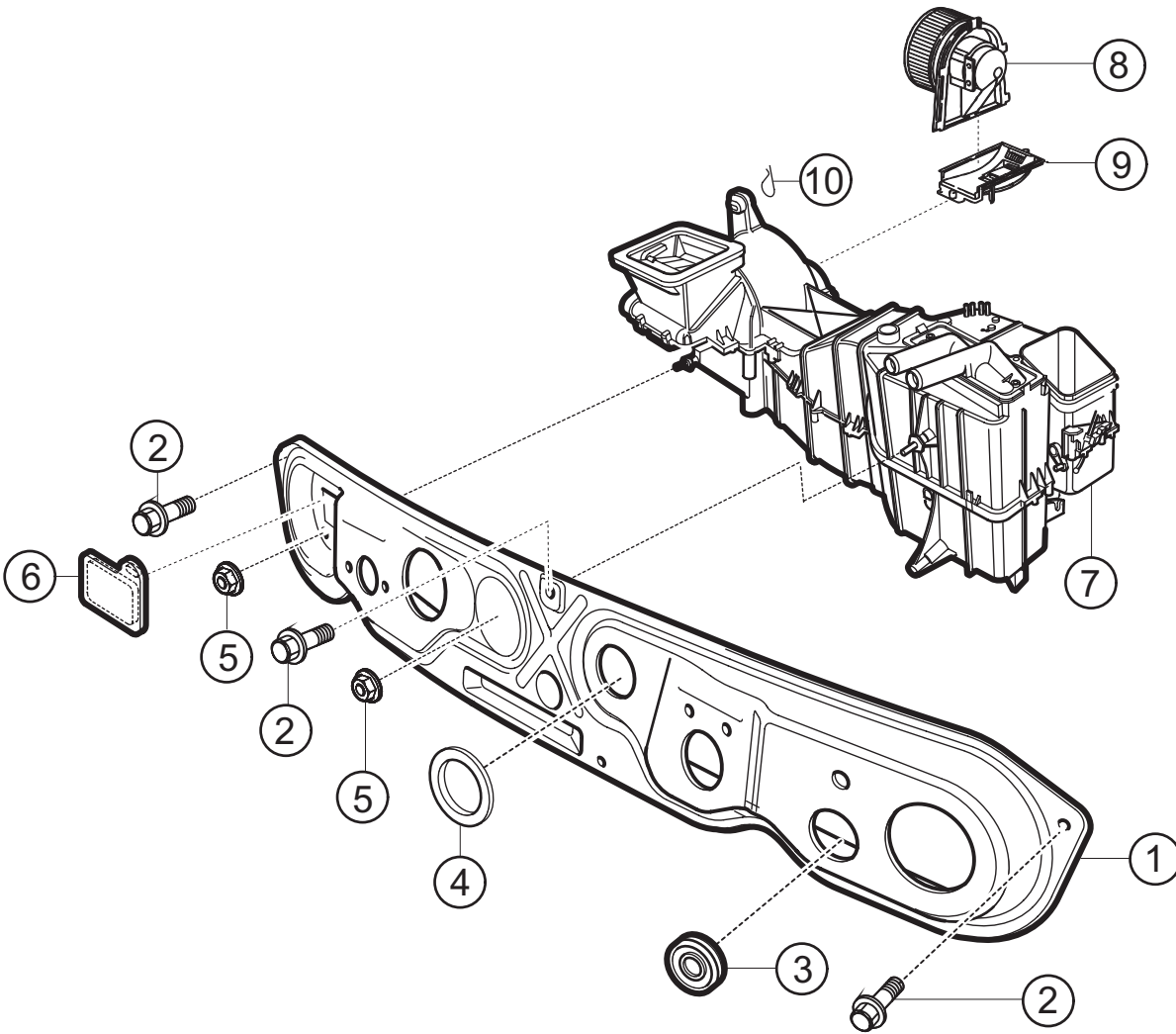


Pos.	Bezeichnung / Description	St./Pc	Teile Nr./Part no.
1	Rennsitz mit Schienen <i>race seat assembly</i>	R 1	997.521.037.92
	Rennsitz (breit) mit Schienen <i>race seat (wide) assembly</i>	R 1	997.521.037.93
2	Satz Winkelplatten <i>angle-plate set</i>	R 1	997.521.923.92
	Satz Winkelplatten (breiter Sitz) <i>angle-plate set (wide seat)</i>	R 1	997.521.923.93
3	ZYL-SHR M8X20 <i>zylinder-head screw M8X20</i>	4	900.119.030.02
4	Stopmutter M8 <i>stop nut M8</i>	8	900.910.022.02
5	Sitzschienensatz Fahrersitz <i>seat rails</i>	1	996.521.929.90
6	TORX-SHR 10X28 <i>torx-screw 10X28</i>	R 4	999.141.047.01
7	6KT-SHR M8X20 <i>hex-screw M8X20</i>	4	999.093.010.07
8	Fahrgurt 3" <i>safety belt 3"</i>	R 1	996.803.037.94
9	Ringschraube für Schrittgurt <i>eye bolt for crotch belt</i>	R 1	996.803.681.9A
10	Befestigungs-SHR 7/16-20 UNF <i>fastening screw 7/16-20 UNF</i>	R 2	996.803.691.9A
11	Scheibe 12,1x19,3x3 <i>plain washer</i>	2	999.025.230.02
12	Führungshülse <i>guiding sleeve</i>	R 2	996.803.687.9A
13	Wellscheibe B16 <i>corrugated washer B16</i>	2	999.028.014.02
14	Distanzhülse <i>distance sleeve</i>	R 2	996.803.689.9A
15	Einschweißteil Gegenplatte <i>welding part counterplate</i>	R 3	996.803.677.9A
o.B.	Gurthaken (in Pos.7 enthalten) <i>hook for belt (incl. in Pos.7)</i>	R 2	996.803.679.9A
o.B.	Anschlag Sitz <i>stop for seat</i>	R 1	997.521.931.90

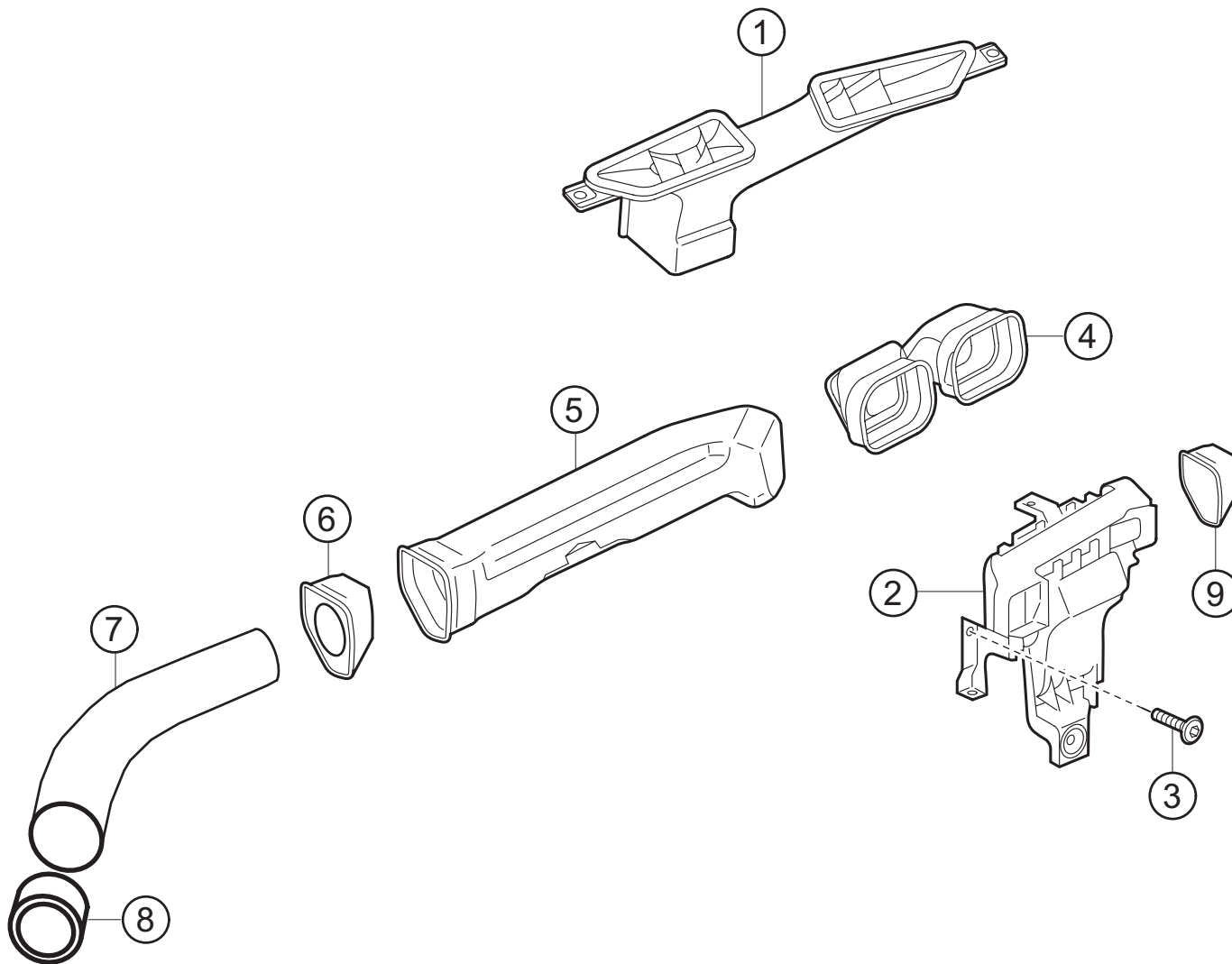
Schutzvermerk nach DIN 34 beachten
Copyright reserved
Dr. Ing. h. c. F. Porsche
Aktiengesellschaft

Gebläseeinheit / blower unit

Pos.	Bezeichnung / Description	St./Pc	Teile Nr./Part no.
1	Deckel Stirnwand <i>front wall cover</i>	R 1	997.504.121.90
2	6KT-SHR M6X18 <i>hex screw M6X18</i>	7	900.075.432.02
3	Gummitülle 14,0X45X1,0 <i>rubber grommet 14X45X1,0</i>	1	999.702.216.42
4	VSHL-DECKEL 61,5X72,6 <i>closing cover</i>	1	999.702.255.40
5	6KT-MU M6 <i>hex nut M6</i>	R 2	999.076.067.02
6	Abdeckplatte <i>cover plate</i>	R 1	996.572.721.01
7	Gebläseeinheit komplett <i>blower unit assembly</i>	R 1	997.573.011.90
8	Gebläse <i>fan</i>	1	996.624.107.01
9	Deckel mit Widerstand <i>cover with resistor</i>	1	996.572.905.00
10	Splint <i>splint</i>	1	999.021.010.02



Lüftungsdüsen / ventilation vent

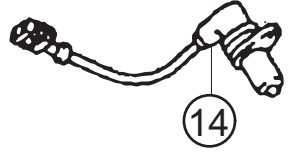
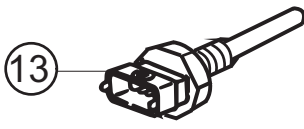
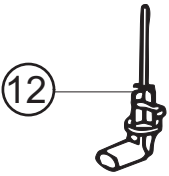
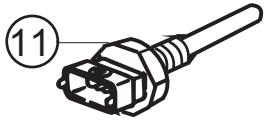
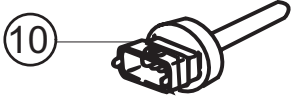
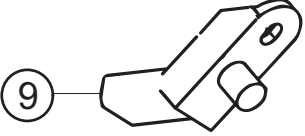
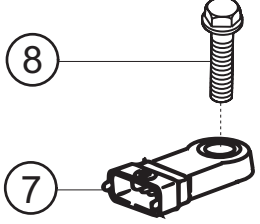
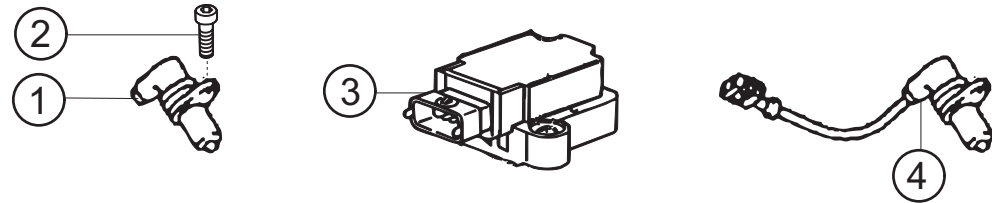


Pos.	Bezeichnung / Description	St./Pc	Teile Nr./Part no.
1	Defrosterdüse <i>defroster vent</i>	1	997.572.631.00
2	Luftverteiler <i>air distributor</i>	1	997.572.171.00
3	LI-SHR 4,0x14 <i>oval-head screw 4,0x14</i>	3	999.919.118.09
4	Zwischenstück für Ausströmer <i>air outlet</i>	1	997.572.769.00
5	Luftführung <i>air guide</i>	1	997.572.463.00
6	Deckel links <i>closing cap left</i>	R 1	997.572.465.90
7	Schlauch für zusätz. Fahrerbelüft. <i>hose for addit. driver ventilation</i>	R 1	997.572.795.90
8	Abschlussring Belüftungsschlauch <i>plastic ring for ventilation hose</i>	R 1	996.572.895.90
9	Deckel rechts <i>closing cap right</i>	R 1	997.572.466.90

Elektrik / Electrical equipment

- Steuergerät + Zündung / *engine control unit*
- Sensoren / *sensors*
- Kabelstränge / *cable looms*
- Lichtmaschine + Anlasser + Batterie / *generator + starter + battery*
- Lenkstockschalter / *steering column switch*
- Scheibenwischeranlage / *windscreen wiper unit*
- Scheibenwaschanlage / *windscreen wash system*
- Frontscheinwerfer / *headlight*
- Heckleuchte / *rearlight*
- MoTec-System / *MoTec-system*
- Instrumententafel / *dashboard*
- Trägerplatte Mittelkonsole / *support-plate center console*
- Hauptrelais + Sicherungen / *main relay and fuses*

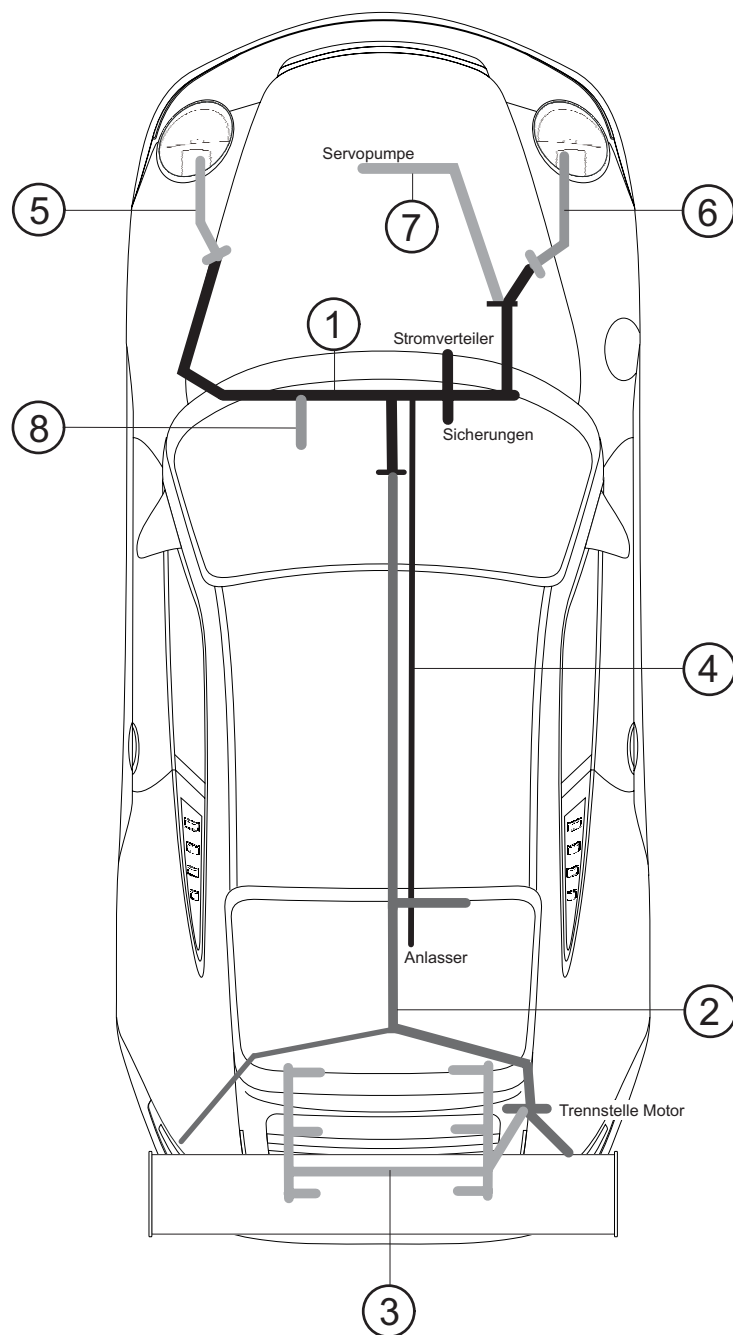
Sensoren / sensors



Pos.	Bezeichnung / Description	St./Pc	Teile Nr./Part no.
1	Hallgeber <i>hall sensor</i>	1	996.606.106.03
2	ZYL-SHR M6X16 <i>fillister screw M6X16</i>	1	999.218.005.02
3	Drosselklappengeber <i>throttle blade sensor</i>	1	996.606.116.00
4	Drehzahlgeber Motor <i>speed sensor engine</i>	1	996.606.105.01
5	Druckgeber Kraftstoff/Öl/Wasser <i>pressure sensor fuel/oil/water</i>	R 3	997.606.203.90
	Druckgeber Kupplung <i>pressure sensor for clutch</i>	R 1	997.606.203.91
6	Lambdasonde <i>lambda probe</i>	2	996.606.128.00
7	Klopfsensor <i>knock sensor</i>	2	996.606.125.00
8	6KT-SHR M8X30 <i>hex screw M8X30</i>	2	900.378.033.09
9	Druckgeber Umgebung <i>environment pressure-sensor</i>	R 2	9R4.606.205.00
10	Temperaturfühler Motorraum <i>temperature sensor engine bay</i>	1	997.606.213.00
11	Temperaturgeber Wasser <i>temperature sensor water</i>	1	996.606.410.00
12	Schalter Kühlwasser <i>switch for cooling liquid</i>	1	997.641.503.00
13	Temp.geber Motoröl <i>temp.sensor engine oil</i>	R 1	996.606.150.90
	Temp.geber Getriebeöl 150°C <i>temp.sensor gearbox oil 150°C</i>	R 1	996.606.224.9A
14	Drehzahlsensor Rad <i>speed-sensor for wheels</i>	4	996.606.406.00
15	Umschaltventil Resoklappe <i>switch-over valve reso-flap</i>	1	996.605.123.01

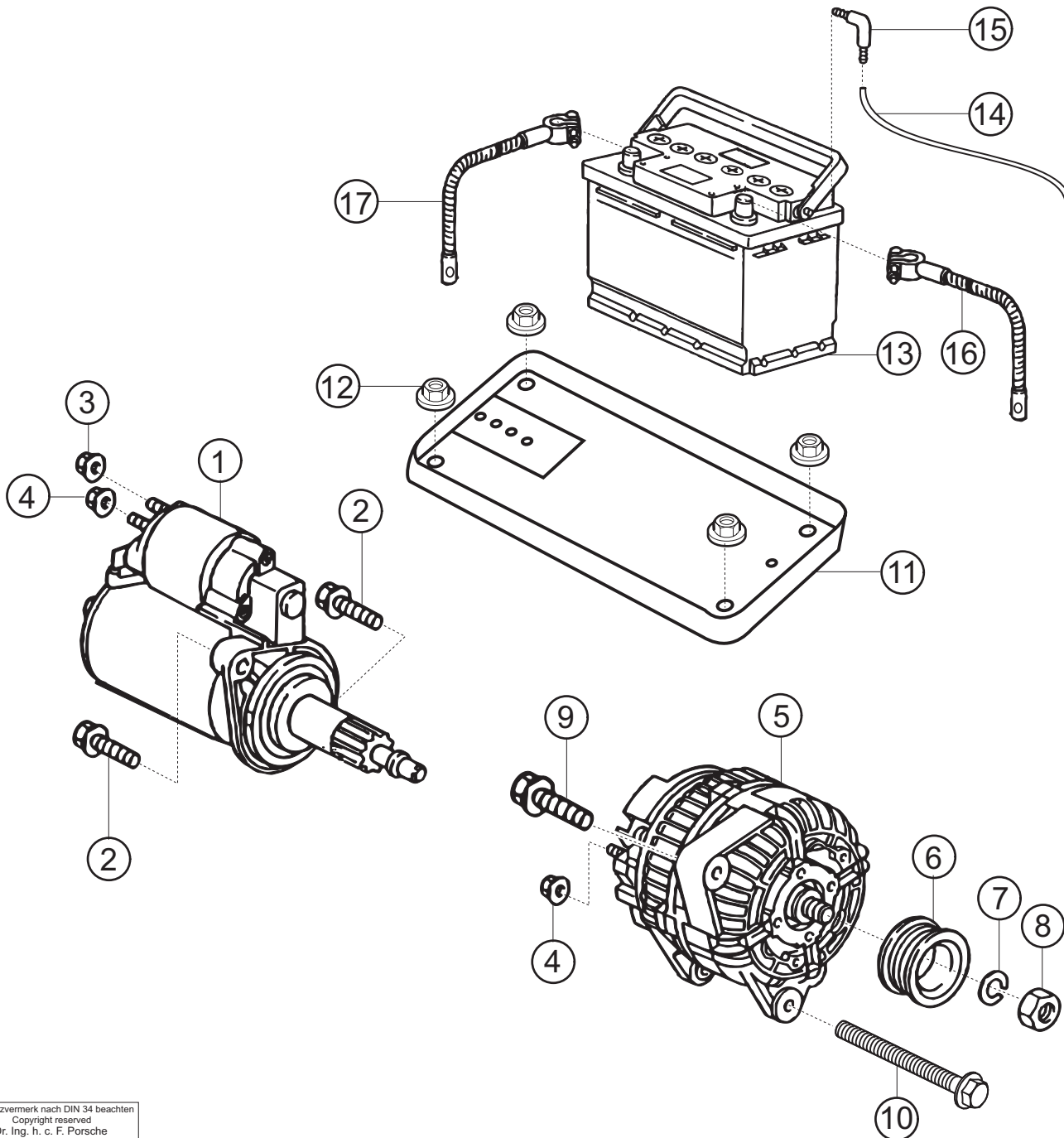
Schutzvermerk nach DIN 34 beachten
Copyright reserved
Dr. Ing. h. c. F. Porsche
Aktiengesellschaft

Kabelstränge / cable looms



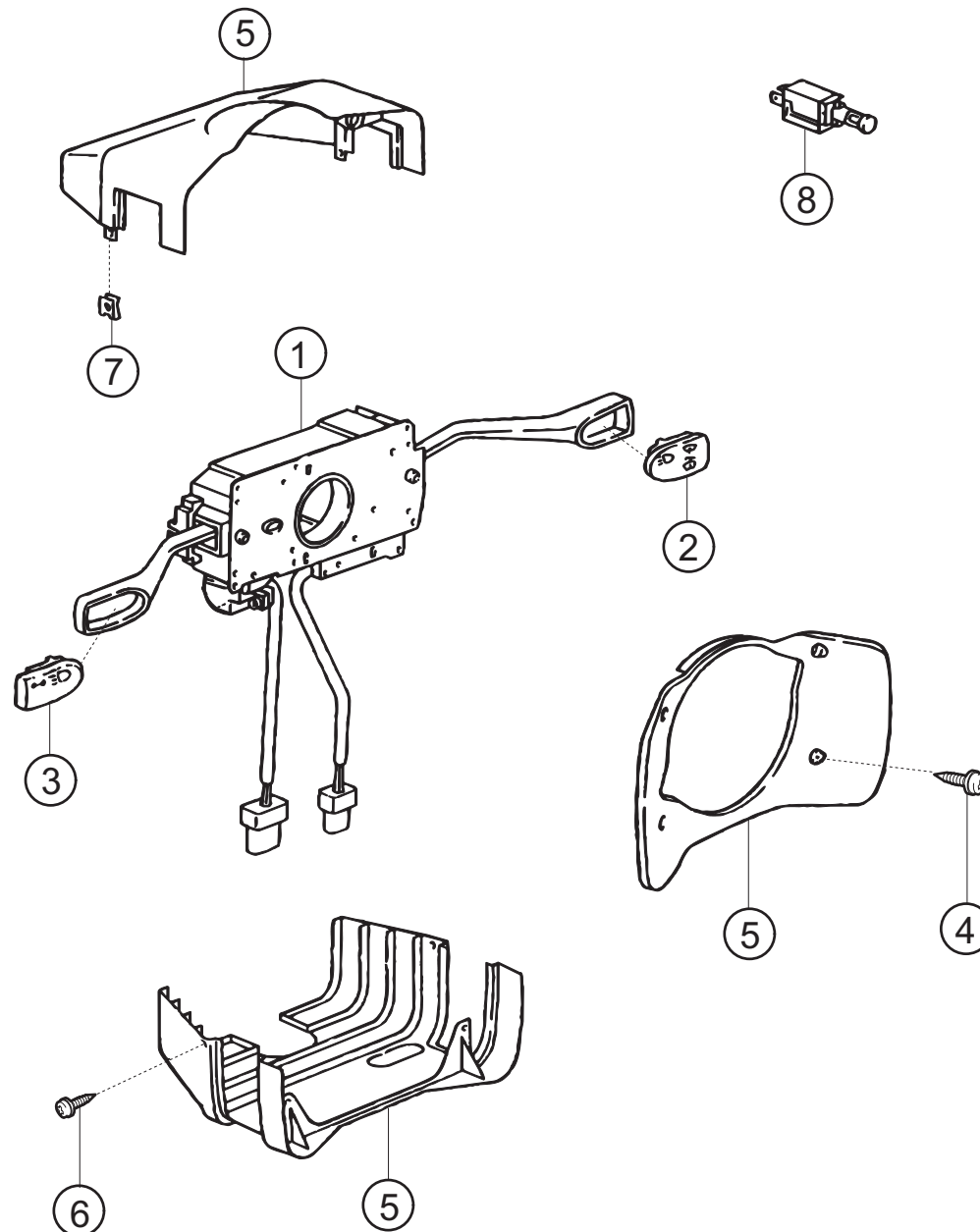
Pos.	Bezeichnung / Description	St./Pc	Teile Nr./Part no.
1	Fahrzeugkabelstrang <i>vehicle cable loom</i>	R	1 997.612.101.92
	Kombibinder 45 <i>tie wrap 45</i>		n.B. 999.591.126.40
	Kombibinder 33/33 <i>tie wrap 3,5x102</i>		n.B. 999.591.114.40
	Halter Diagnosestecker <i>support for diag.plug</i>	R	1 997.612.357.9A
2	Heckkabelstrang <i>rear end cable loom</i>	R	1 997.612.801.92
	KOMBI-BIN 45 einfach <i>tie wrap 45</i>		n.B. 999.591.126.40
	KOMBI-BIN 33/33 doppelt <i>tie wrap 33/33</i>		n.B. 999.591.114.40
	KOMBI-BIN 45 einfach <i>tie wrap 45</i>	R	4 999.591.416.40
	KAB-BEFES 4,5-10,0 (Klammer) <i>cable support 4,5-10,0</i>	R	6 999.507.964.02
	Halter Trennstelle Motorkabelstr. <i>separating-point support</i>		1 996.607.101.02
3	Motorkabelstrang <i>engine cable loom</i>	R	1 997.607.012.90
	Kabelbinder 3,5x78 <i>tie wrap 3,5x78</i>		n.B. 999.513.051.40
	KOMBI-HALTER 8,5/18 <i>support 8,5/18</i>	R	1 999.507.719.40
	KAB-HALT 11,0-18,0 <i>cable support 11,0-18,0</i>		1 999.511.240.40
	KAB-HALT 13,0 <i>cable support 13,0</i>		1 999.507.712.40
	KAB-BEFES 5,5-6,0 (Klammer) <i>cable support 5,5-6,0</i>		1 999.651.257.02
o.B.	Massekabel Motor <i>engine ground cable</i>		1 996.607.034.01
4	Anlasserkabel B+ <i>starter cable B+</i>	R	1 997.612.395.90
5	Bugstrang links <i>front end cable-loom left</i>	R	1 997.612.301.90
6	Bugstrang rechts <i>front end cable-loom right</i>	R	1 997.612.302.90
7	Kabelstrang Servopumpe <i>cable loom for servo pump</i>	R	1 997.612.775.90
8	Anschlusskabel Lenkrad <i>cable loom steering wheel</i>	R	1 997.612.881.90
o.B.	Rep.-Satz ABS-Kabelstrang VA <i>rep.-kit ABS-cable loom front</i>	R	2 997.612.938.91
o.B.	Rep.-Satz ABS-Kabelstrang HA <i>rep.-kit ABS-cable loom rear</i>	R	2 997.612.940.90
			09-02-00

Lichtmaschine + Anlasser + Batterie / generator + starter + battery



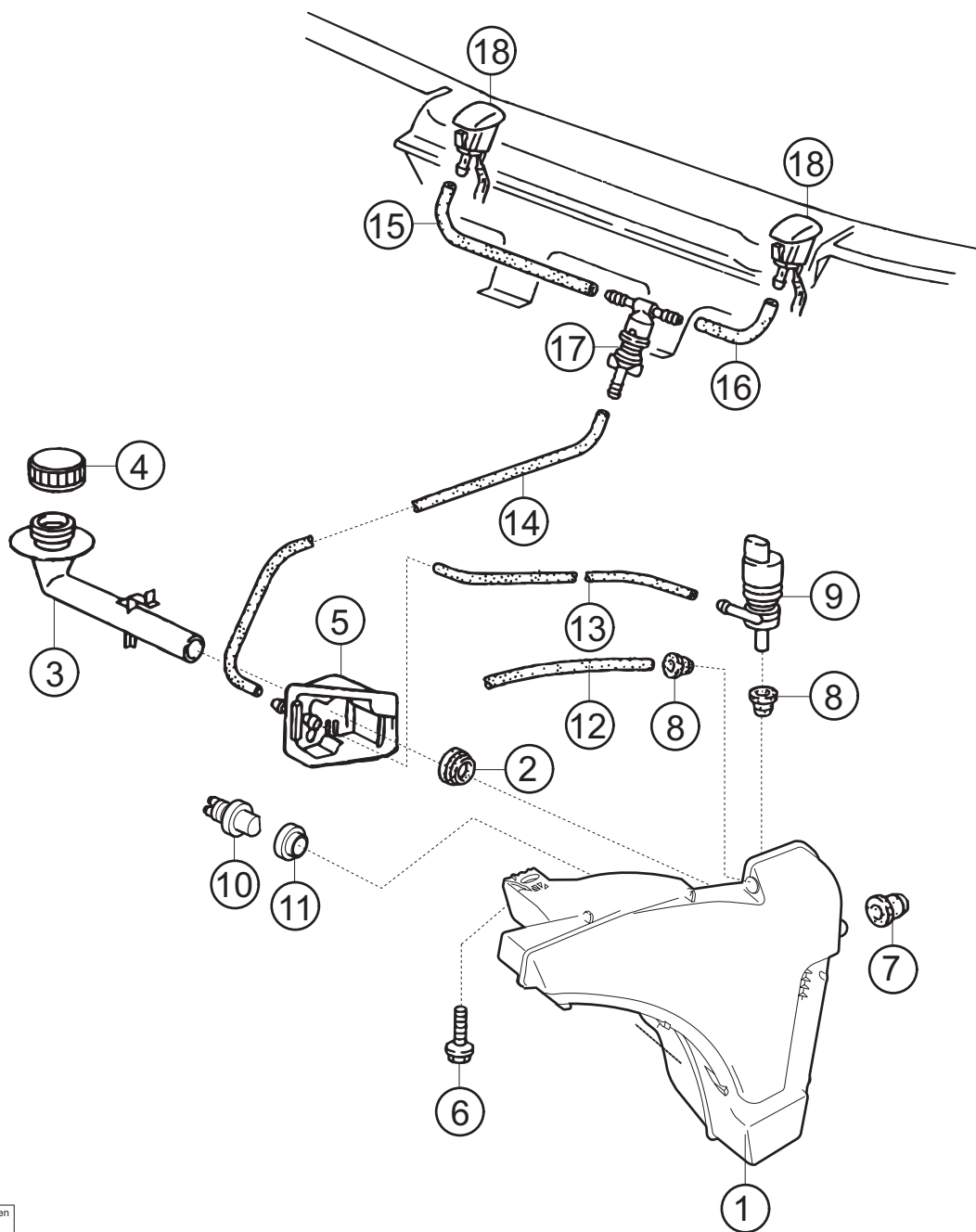
Pos.	Bezeichnung / Description	St./Pc	Teile Nr./Part no.
1	Anlasser 1,7 KW starter	1	996.604.107.00
2	6KT-SHR M10X35 hex screw M10X35	2	900.378.101.09
3	6KT-MU M8 Klemme 30 hex nut M8	1	900.377.003.02
4	6KT-MU M6 Klemme 50 hex nut M6	2	900.377.010.09
5	Drehstromgenerator 90 Ampere generator 90 Ampere	R 1	996.603.019.90
6	Riemenscheibe belt pulley	1	996.603.151.55
7	Federring B16 spring ring B16	1	N .012.016.1
8	6KT-MU M16X1,5 hex nut M16X1,5	1	900.034.013.02
9	6RD-SHR M10X60 torx screw M10X60	R 1	900.385.004.01
10	6KT-SHR M10X130 hex screw M10X130	1	900.378.129.09
11	Batterieauflegeblech battery supporting-plate	1	996.504.151.02
12	6KT-BUND-MU M8 hex collar nut M8	4	999.084.630.09
13	Batterie 12V 50AH battery	R 1	999.611.053.00
	Batterie 12V 50AH ohne Säure battery without acid	1	999.611.053.20
o.B.	Polschutzkappe terminal cover	1	999.611.104.00
14	Entgasungsschlauch 4,6X1,8 degassing hose 4,6X1,8	n.B.	999.181.722.40
15	Winkelstück angle piece	1	893.915.507
16	Massekabel ground cable	1	997.611.090.00
17	Pluskabel positive cable	1	996.612.090.10

Lenkstockschalter + Schalter Bremspedal / steering column switch + brake switch



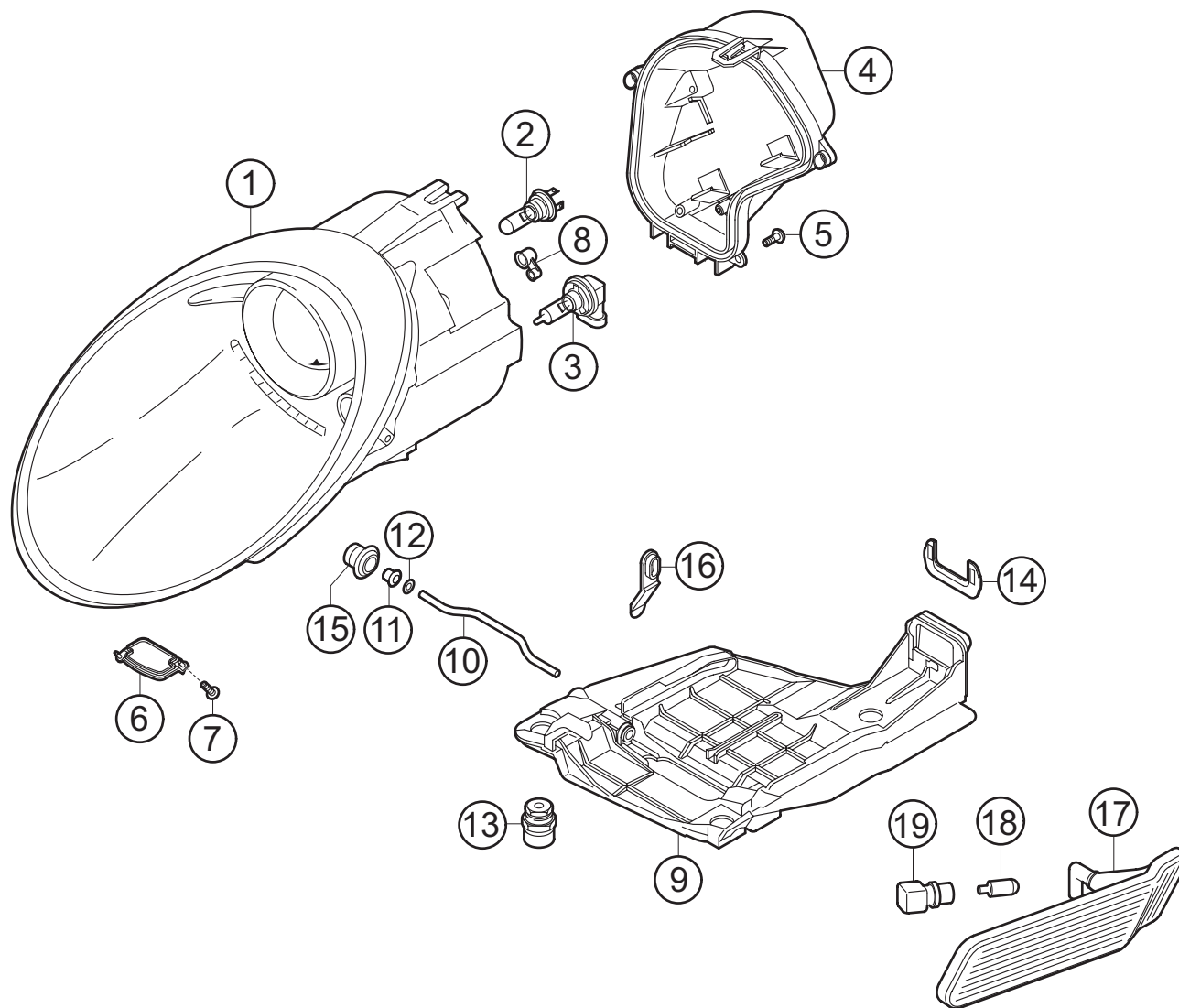
Pos.	Bezeichnung / Description	St./Pc.	Teile Nr./Part no.
1	Lenkstockschalter <i>steering-column switch</i>	1	996.613.213.10 EWC
2	Symbolclip links Blinker <i>symbol clip left flasher</i>	1	996.613.509.10 A05
3	Symbolclip rechts Wischer <i>symbol clip right wiper</i>	1	996.613.508.10 A05
4	BLECH-SHR B 3,5x19 <i>tapping screw B3,5x19</i>	4	900.143.072.09
5	Schaltergehäuse <i>plastic housing</i>	R 1	996.552.073.90 A03
6	BLECH-SHR B 2,9x9,5 <i>tapping screw B2,9x9,5</i>	2	900.143.002.07
7	BLECH-MU B 2,9 <i>plate nut B 2,9</i>	1	999.591.888.02
8	Schalter Bremspedal <i>switch for brake pedal</i>	1	996.613.113.01

Scheibenwaschanlage / windscreen washer-system



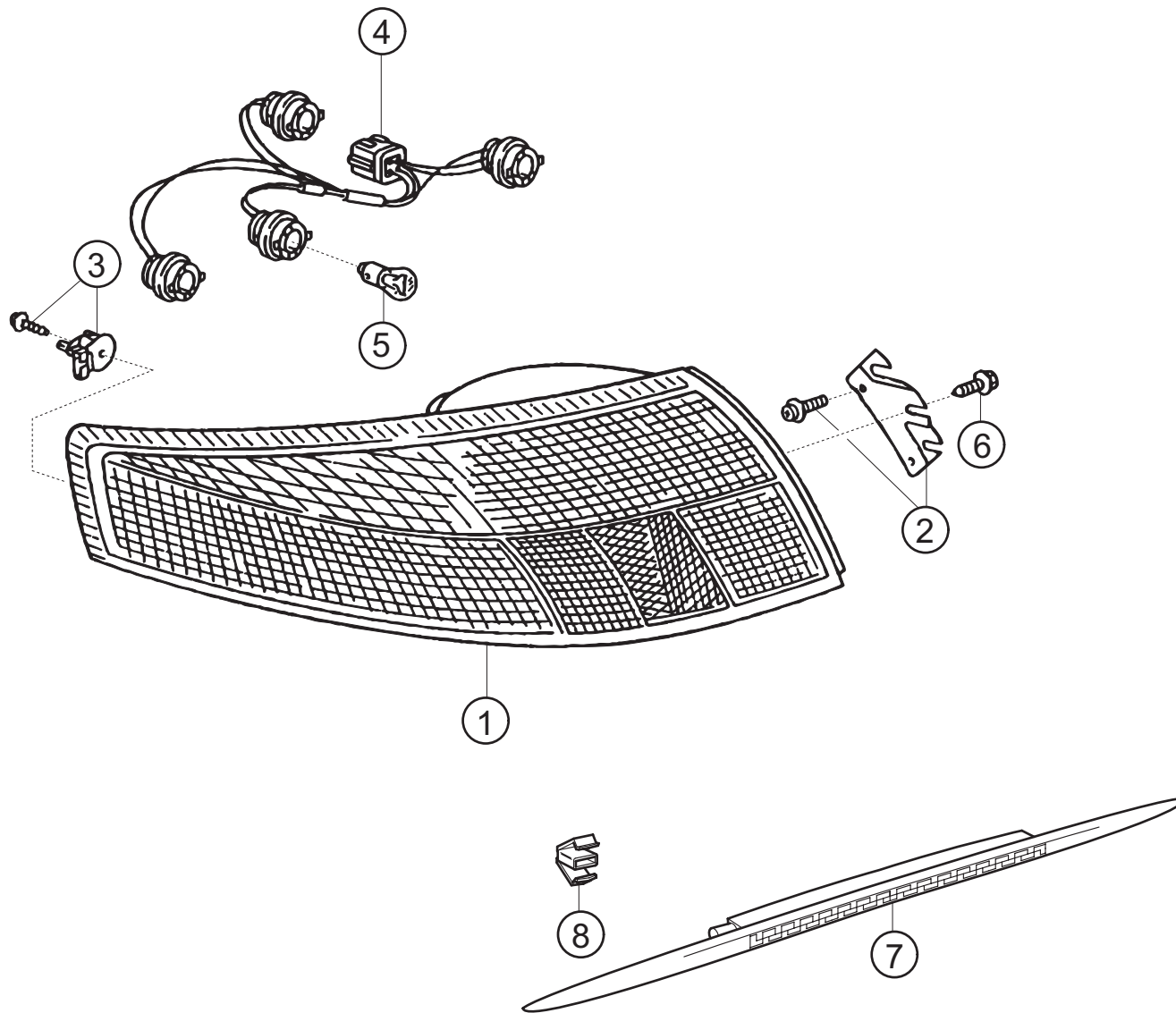
Pos.	Bezeichnung / Description	St./Pc.	Teile Nr./Part no.
1	Wasserbehälter 2,5 Liter water tank 2,5 liter	1	997.528.701.00
2	Dichtung sealing piece	1	996.528.711.00
3	Einfüllstutzen komplett filling neck assembly	R 1	997.528.105.90
4	Deckel cap	1	996.528.607.00
5	Konsole retaining bracket	1	996.528.615.01
6	6KT-SHR M8x35 8.8 hex screw M8x35 8.8	1	900.378.154.09
7	Tuelle grommet	2	999.702.221.40
8	Dichtung sealing piece	2	431.955.465.B
9	Pumpe water pump	1	997.628.182.00
10	Vorratsschalter water-level switch	1	955.628.105.00
11	Dichtung sealing part	1	955.528.721.00
12	Entlüftungsrohr 273mm ventilation tube	1	999.181.347.40
13	Schlauch 375mm 5,0x2,5 water hose	n.B.	999.181.815.40
14	Schlauch 610mm 5,0x2,5 water hose	n.B.	999.181.815.40
15	Schlauch 347mm 5,0x2,5 water hose	n.B.	999.181.815.40
16	Schlauch 97mm 5,0x2,5 water hose	n.B.	999.181.815.40
17	T-Stück T-piece	1	999.137.005.40
18	Waschdüse beheizt washer-nozzle heated	2	996.628.077.03

Frontscheinwerfer / headlight



Pos.	Bezeichnung / Description	St./Pc	Teile Nr./Part no.
1	Hauptscheinwerfer links (P. 3-8) <i>headlight left</i>	1	997.631.163.02
	Hauptscheinwerfer rechts (P. 3-8) <i>headlight right</i>	1	997.631.164.02
2	Glühlampe H7 <i>bulb H7</i>	1	999.631.133.91
3	Halogen Glühlampe H9 <i>bulb H9</i>	1	999.631.143.90
4	Schutzhaube links <i>protection cap left</i>	1	997.631.101.00
	Schutzhaube rechts <i>protection cap right</i>	1	997.631.102.00
5	Schneidschraube <i>screw</i>	4	997.631.191.00
6	Belüftungselement links <i>ventilation part left</i>	1	997.631.149.00
	Belüftungselement rechts <i>ventilation part right</i>	1	997.631.150.00
7	Schneidschraube <i>screw</i>	1	997.631.153.00
8	Entlüftungsstutzen <i>ventilation neck</i>	1	997.631.249.00
9	Aufnahme links komplett P.10-14 <i>headlight support assembly left</i>	1	997.631.073.01
	Aufnahme rechts komplett P.10-14 <i>headlight support assembly right</i>	1	997.631.074.01
10	Klemmbügel <i>retaining bow</i>	1	997.631.273.01
11	Lagerbuchse <i>bushing</i>	1	997.631.272.00
12	Sicherungsscheibe <i>securing disk</i>	1	900.116.004.09
13	Befestigungselement <i>fastening element</i>	3	997.631.194.00
14	Verriegelung Steckergehäuse <i>fastening element</i>	1	997.631.245.00
15	Stopfen <i>plug</i>	1	999.703.413.40
16	Stopfen <i>plug</i>	1	993.631.170.03
17	Seitenblinkleuchte links <i>indicator left</i>	1	997.631.033.01
	Seitenblinkleuchte rechts <i>indicator right</i>	1	997.631.034.01
18	Blinkerbirne <i>indicator bulb</i>	1	999.631.138.90
19	Lampenfassung Blinkerleuchte <i>bulb socket</i>	1	997.631.133.00

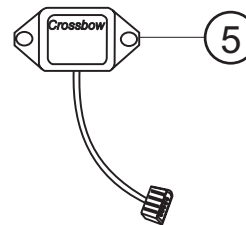
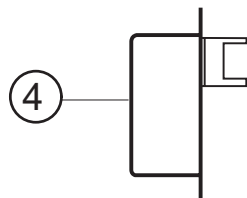
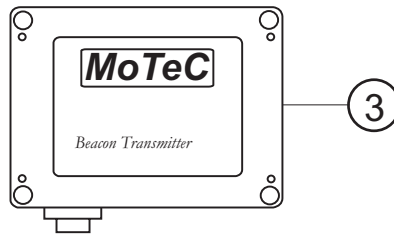
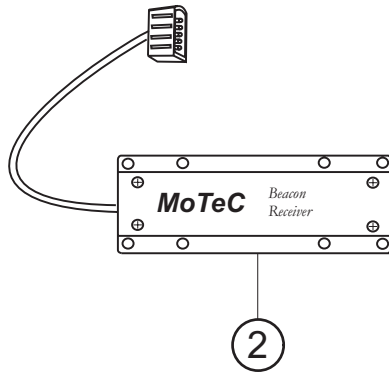
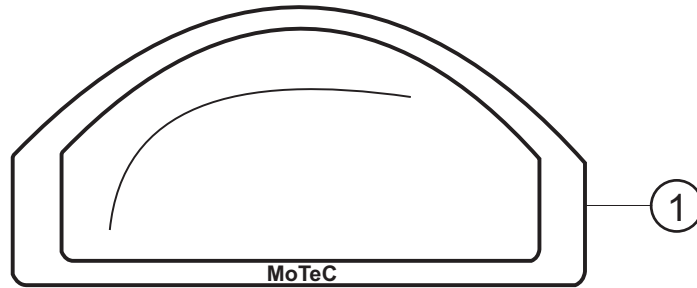
Heckleuchte / rearlight



Pos.	Bezeichnung / Description	St./Pc	Teile Nr./Part no.
1	Heckleuchte links komplett <i>tail lamp assembly left</i>	R 1	997.631.405.03
	Heckleuchte rechts komplett <i>tail lamp assembly right</i>	R 1	997.631.406.03
2	Halter Heckleuchte links <i>tail lamp bracket left</i>	1	997.631.463.01
	Halter Heckleuchte rechts <i>tail lamp bracket right</i>	1	997.631.464.01
3	Aufnahme Heckleuchte <i>tail lamp support</i>	1	997.631.471.00
4	Kabelstrang <i>cable loom</i>	1	997.631.436.00
5	Glühlampe weiß 21W <i>bulb white 21W</i>	1	900.631.018.90
	Glühlampe 21W gelb Blinker <i>bulb 21W yellow direct.indicator</i>	1	900.631.021.90
	Glühlampe 21/5W <i>bulb 21/5W</i>	1	900.631.022.90
	Glühlampe 21/4W <i>bulb 21/4W</i>	1	900.631.017.90
6	FL-KPF-SHR M6X12 <i>oval head screw M6X12</i>	1	900.146.075.09
7	Zusatzbremsleuchte komplett <i>additional brake light assembly</i>	1	997.631.050.03
8	Befestigungselement <i>fastening element</i>	6	997.631.203.00

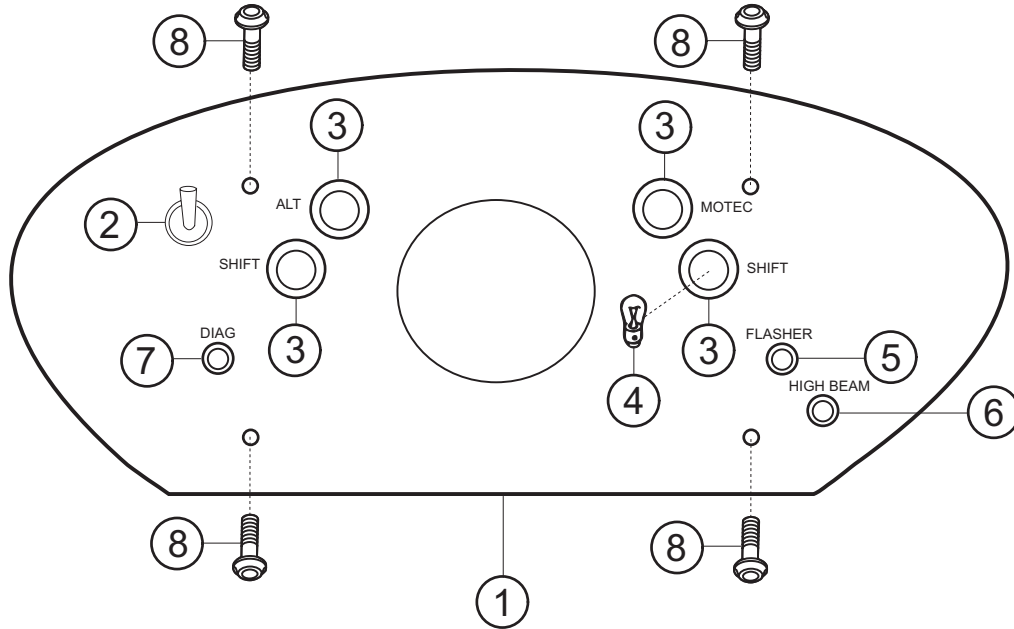
Schutzvermerk nach DIN 34 beachten
Copyright reserved
Dr. Ing. h. c. F. Porsche
Aktiengesellschaft

MOTEC-System / MOTEC-system



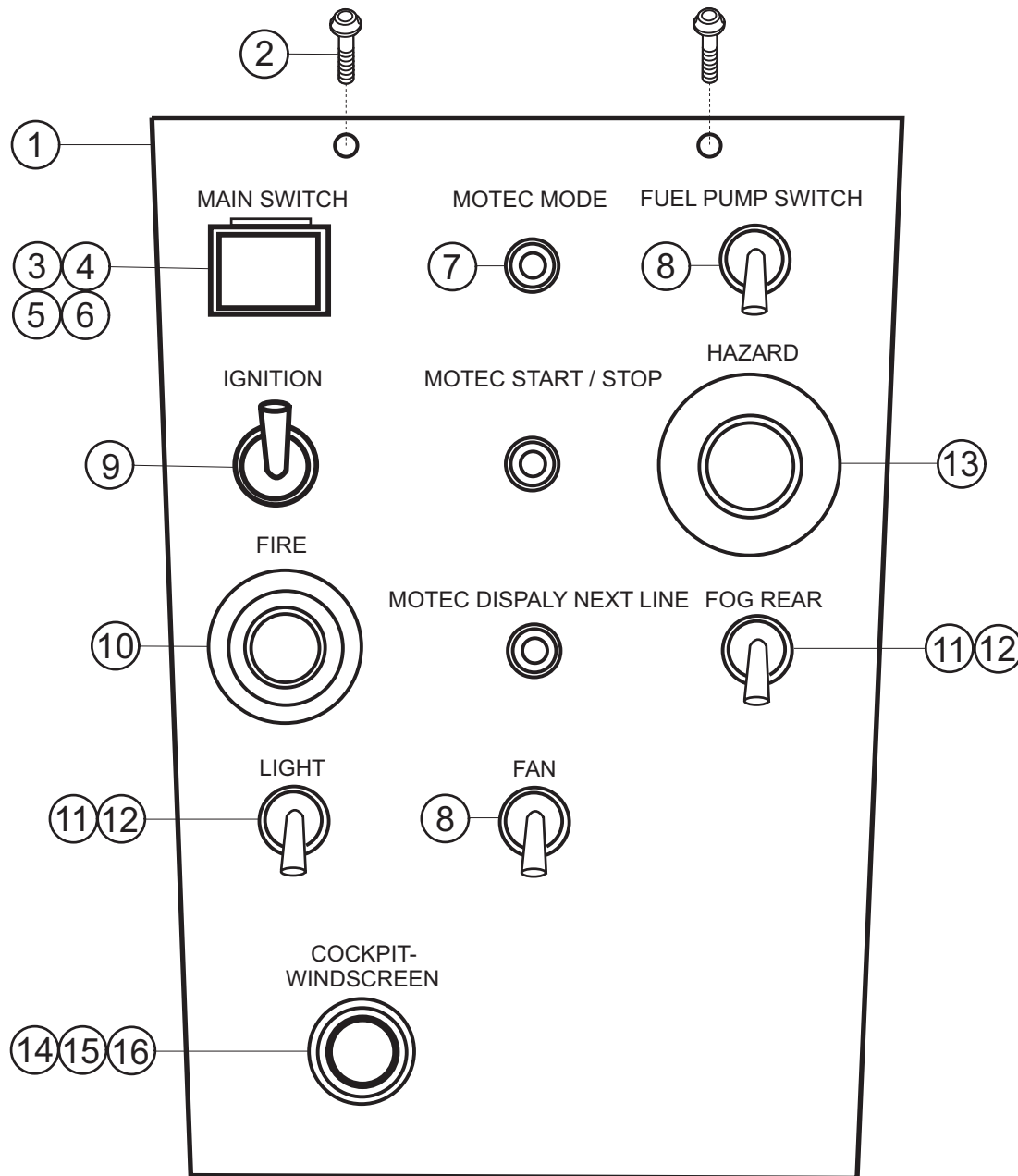
Pos.	Bezeichnung / Description	St./Pc	Teile Nr./Part no.
1	Anzeigeeinstrument <i>display</i>	R 1	997.641.231.91
2	Laptrigger Empfänger <i>laptrigger receiver</i>	R 1	996.641.233.9D
o.B.	Halter für Empfänger <i>bracket for receiver</i>	R 1	997.641.333.90
3	Laptrigger Sender <i>laptrigger transmitter</i>	R 1	996.641.234.9C
4	Signalwandler Back light <i>signal converter</i>	R 1	996.641.243.9C
5	Querbeschleunigungssensor <i>g-accelerometer</i>	R 1	996.641.241.9C
o.B.	Software-CD <i>software-CD</i>	R 1	997.641.531.91
o.B.	CAN-Auslesekabel <i>CAN read-out cable</i>	R 1	996.641.239.9D

Instrumententafel / dashboard



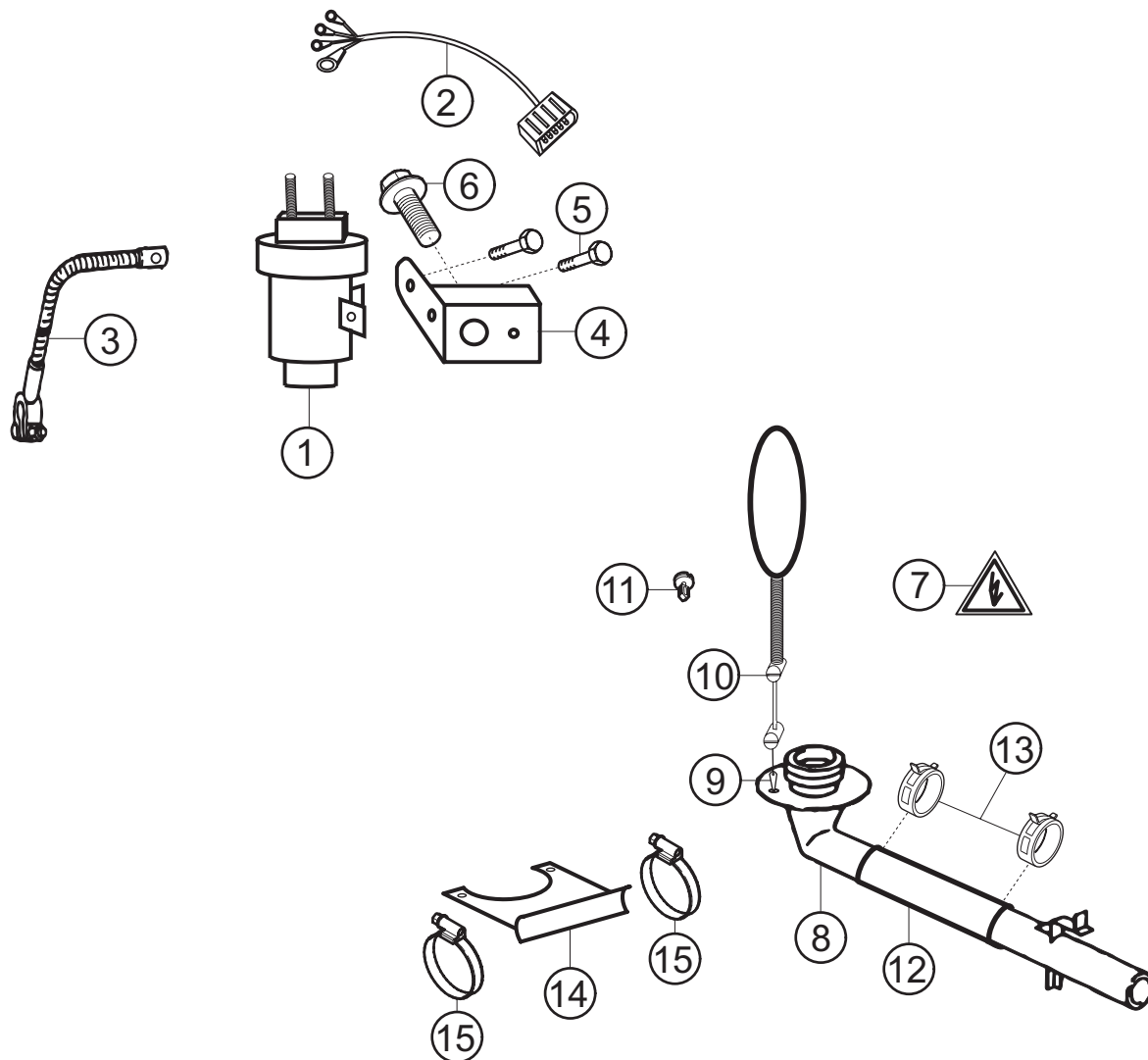
Pos.	Bezeichnung / Description	R	St./Pc.	Teile Nr./Part no.
1	Instrumententräger komplett instrument panel assembly	R	1	997.641.035.90
2	Wechselschalter switch	R	1	996.613.361.9A
3	Kontrolllampe tell-tale	R	4	996.641.351.9A
4	Glühlampe 4W bulb 4W		4	900.631.103.90
5	Kontrolllampe Grün tell-tale green	R	1	996.641.343.9A
6	Kontrolllampe Blau tell-tale blue	R	1	996.641.341.9A
7	Kontrolllampe Weiss tell-tale white	R	1	996.641.345.9A
o.B.	Signalwandler signal converter	R	1	996.641.243.9C
o.B.	Kabelstrang cable loom	R	1	997.612.810.92
8	BLECH-SHR ST4,2x13 tapping screw ST4,2x13	R	4	999.073.339.09

Trägerplatte Mittelkonsole / support-plate center console



Pos.	Bezeichnung / Description	St./Pc	Teile Nr./Part no.
1	Trägerplatte komplett <i>carrier plate assembly</i>	R 1	997.613.185.91
2	BLECH-SHR ST4,2x13 <i>tapping screw ST4,2x13</i>	2	999.073.339.09
3	Druckschalter <i>pressure switch</i>	R 1	996.613.261.95
4	Kontaktteil <i>contact member</i>	R 1	996.613.267.95
5	Tastenkappe Rot <i>tip switch cap red</i>	R 1	996.613.281.95
6	Schutzklappe <i>protective cap</i>	R 1	996.613.283.90
7	Taste für MOTEC-System <i>tip-switch for MOTEC</i>	R 3	996.613.365.9A
8	Wechselschalter <i>change-over switch</i>	R 2	996.613.361.9A
9	Schalter für Zündung <i>switch for ignition</i>	R 1	9R1.613.227.00
10	Feuerlöscherschalter <i>switch for exting.system</i>	R 1	996.722.423.9A
11	Wechselschalter <i>change-over switch</i>	R 2	997.613.361.9A
12	Blende Wechselschalter on/off <i>mask change-over switch on/off</i>	R 2	997.613.363.9A
13	Warnblinkschalter <i>switch for hazard light</i>	R 1	956.613.124.00
14	Bedienteil Gebläsezug <i>control device for pull</i>	R 1	997.572.693.90
15	Verschraubung Gebläsezug <i>screw connection for pull</i>	R 1	997.572.692.90
16	Gebläsezug <i>pull for fan</i>	R 1	997.572.501.90

Hauptrelais + Sicherungen / main relay and fuses

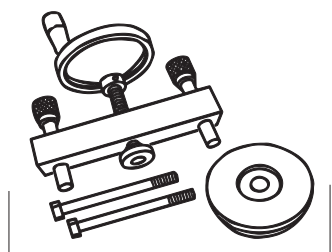


Pos.	Bezeichnung / Description	St./Pc	Teile Nr./Part no.
1	Hauptrelais <i>main relay</i>	R 1	996.612.927.90
	Hauptrelais komplett <i>main-relay assembly</i>	R 1	997.612.227.90
2	Anschlußkabel <i>connecting cable</i>	R 1	996.612.333.90
3	Batteriekabel <i>battery cable</i>	1	996.612.090.10
4	Halter für Hauptrelais+Batt. <i>bracket for relay+battery</i>	1	996.611.209.90
5	6KT-SHR M5x12 <i>hex screw M5x12</i>	2	900.075.361.02
6	6KT-SHR M8x20 für Halter <i>hex screw M8x20</i>	1	900.378.017.09
7	Aufkleber Not-Aus außen <i>sticker emerg.-off outside</i>	R 1	930.006.507.00
8	Not-Aus Schalter komplett <i>emerg.switch assembly</i>	R 1	997.528.105.90
9	Schalter <i>switch</i>	R 1	996.613.261.80
10	Schwenkklemme <i>clamp</i>	R 2	996.611.325.90
11	Halteclip Not-Aus Zug <i>clip for emerg. pull</i>	1	999.513.057.40
12	Schlauchstück <i>rubber hose</i>	R 1	997.528.625.90
13	Federbandschelle B32x12 <i>hose clamp</i>	R 2	999.512.662.09
14	Halter Not-Aus Schalter <i>support for emerg. switch</i>	R 1	997.528.607.90
15	Schelle f. Halter Not-Aus Schalter <i>clamp for support emerg. switch</i>	2	999.512.677.00
o.B.	Microrelais <i>microrelay</i>	5	999.657.007.90
o.B.	Kleinrelais <i>minirelay</i>	1	999.657.008.90
o.B.	Arbeitskontaktrelais <i>relay</i>	4	141.951.253.B
o.B.	Blinkwarnlichtrelais <i>turn signal relay</i>	1	1H0.953.227
o.B.	Relais Kraftstoffpumpe <i>relay for fuel pump</i>	1	996.615.101.00
o.B.	5A Sicherung <i>fuse 5A</i>	n.B.	999.607.004.00
o.B.	7,5A Sicherung <i>fuse 7,5A</i>	R n.B.	999.607.083.00
o.B.	10A Sicherung <i>fuse 10A</i>	n.B.	999.607.006.00

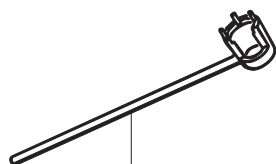
Zubehör und Werkzeuge / Accessories and tools

- Werkzeuge / *tools*
- Sonderwerkzeuge Getriebe / *special tools for gearbox*
- Zubehör / *accessories*
- Fette und Flüssigkeiten / *greases and liquids*
- Lufthebeanlage / *airjack system*
- Feuerlöschanlage / *fire-extinguishing system*
- Wasserbefüll und -entlüftungseinheit / *waterflush unit*

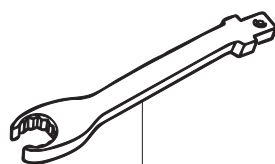
Werkzeuge / tools



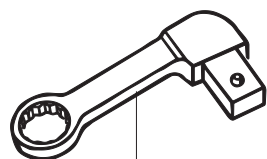
①



②



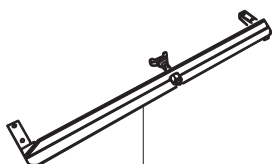
③



④



⑤

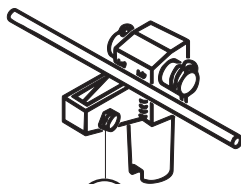


⑥

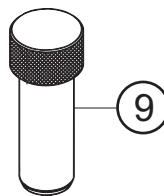
Werkzeug muß modifiziert werden.
Tool must be modified.



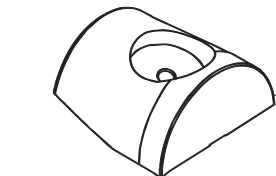
⑦



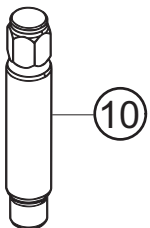
⑧



⑨



⑩

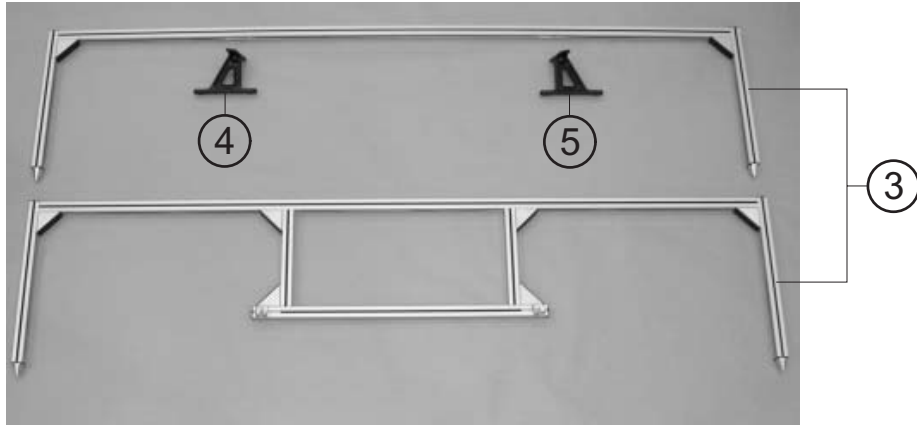
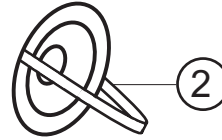


⑪

Pos.	Bezeichnung / Description	St./Pc.	Teile Nr./Part no.
1	Montagewerkzeug Zyl.-Büchse <i>mounting tool cylinder bush</i>	R 1	996.721.533.90
2	Kettenradgegenhalter <i>holder for chain-sprocket</i>	R 1	996.721.513.90
3	Drehmomentaufsatz Spurst. VA <i>tool track-rod front</i>	1	000.721.962.50
4	Drehmomentaufsatz Excenter HA <i>tool excenter rear-axle</i>	1	000.721.962.60
5	Abstützung <i>support for jack</i>	1	000.721.911.12
6	Motorhalter zum Absenken Motor <i>holder for engine</i>	1	000.721.962.41
7	Wagenheberplatte Motormontage <i>jackplate for mounting engine</i>	1	000.721.911.10
8	Wagenheberadapter <i>adapter for jack</i>	1	000.721.911.11
9	Auspresswerkzeug VA <i>press-out tool front axle</i>	R 1	996.721.920.90
10	Druckstange VA <i>pressure rod for front axle</i>	R 1	996.721.923.90
11	Druckstück für Vorderachse <i>pressure piece for front axle</i>	R 1	996.721.921.90
o.B.	Abstandsklotz für Kolbenmontage <i>distance block f. piston mounting</i>	R 1	996.721.527.90
o.B.	Abstandshülse 1 Kolbenmontage <i>dist.sleeve 1 for piston mounting</i>	R 1	996.721.529.90
o.B.	Abstandshülse 2 Kolbenmontage <i>dist.sleeve 2 for piston mounting</i>	R 1	996.721.531.90
o.B.	Spannband für Kolbenmontage <i>fixing strap for piston mounting</i>	R 1	996.721.535.90
o.B.	Kolbenspannbandzange <i>pliers for piston mounting</i>	R 1	996.721.541.90
o.B.	Maulschlüssel SW 31 f. Nockenw. <i>31mm open ended spanner</i>	R 1	996.721.563.9A
o.B.	Feststeller für Lenkrad <i>arrester for steering wheel</i>	R 1	996.450.361.90
o.B.	Feststeller für Bremspedal <i>arrester for brake pedal</i>	R 1	996.450.363.90

Schutzvermerk nach DIN 34 beachten
Copyright reserved
Dr. Ing. h. c. F. Porsche
Aktiengesellschaft

Zubehör / accessories



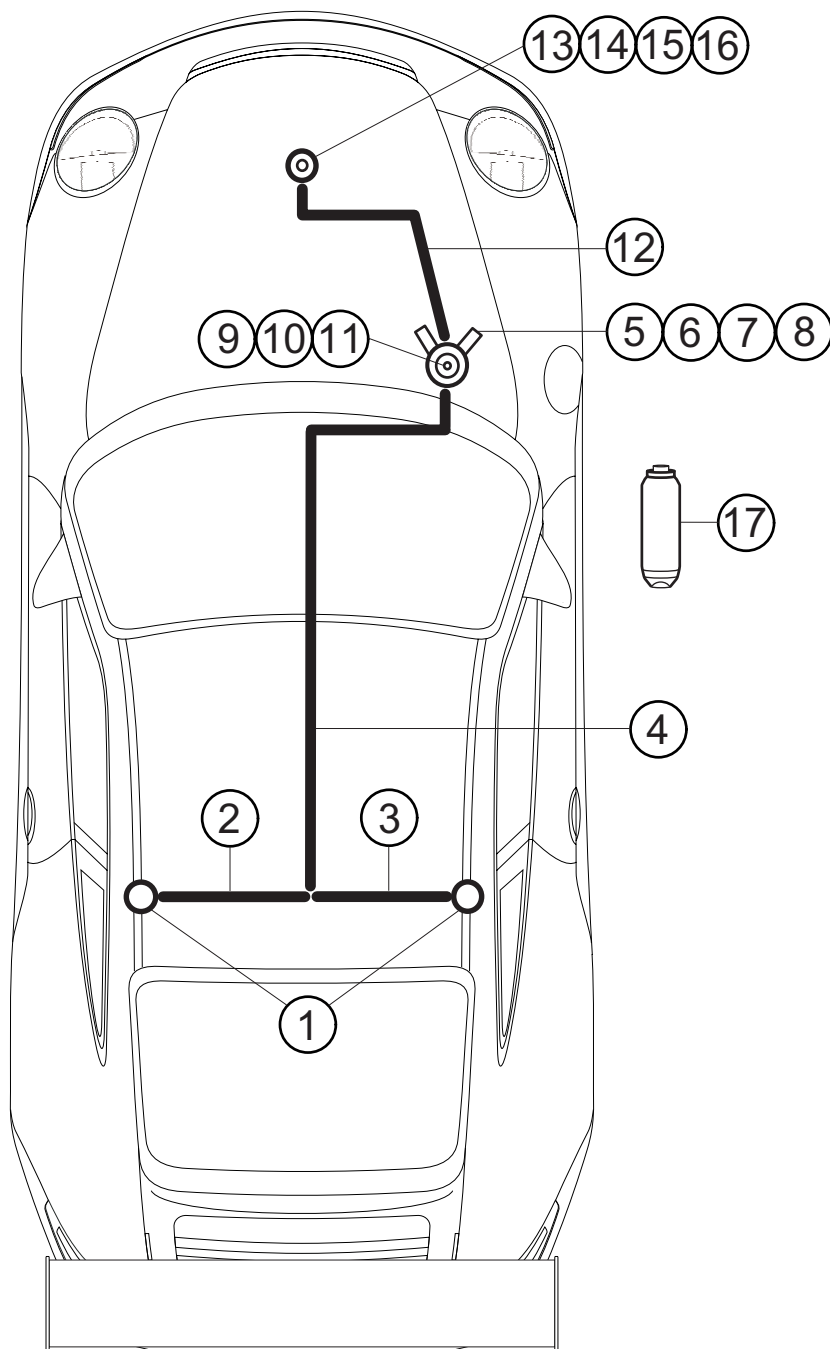
Pos.	Bezeichnung / Description	St./Pc	Teile Nr./Part no.
1	Modas Software+Interfacekabel <i>Modas software+interface cable</i>	R 1	996.618.911.90
	Bosch Modas Software-CD <i>Bosch Modas software-CD</i>	R 1	996.618.811.90
	Bosch Modas Interface-Kabel* <i>Bosch Modas interface-cable*</i>	R 1	996.618.831.9A
2	Transportsicherung <i>transportation eye</i>	R n.B	993.361.115.80
3	Achsmessvorrichtung <i>track-measuring device</i>	R 1	997.450.351.90
4	Halter vorne links <i>bracket front left</i>	R 1	997.450.561.90
5	Halter vorne rechts <i>bracket front right</i>	R 1	997.450.562.90
o.B.	Abdeckplane 911 GT3 Cup <i>tonneau cover</i>	R 1	997.721.050.90

* nur im Tausch erhältlich
* just available in exchange

Fette + Flüssigkeiten / greases + liquids

<u>Bezeichnung / Description</u>	<u>Teile Nr. / Part no.</u>	<u>Bezeichnung / Description</u>	<u>Teile Nr. / Part no.</u>
1. Pentosin (Servoöl) CHF 11S <i>oil for power steering</i>	000.043.206.56	13. Copaslip Kupferfett <i>Copaslip copper-grease</i>	R 999.917.724.00
2. Scheibenreiniger <i>windscreen cleaner</i>	928.628.931.00	14. Loctite Kleber 574 <i>Loctite bond 574</i>	R 999.915.281.40
3. Kühlflüssigkeit 1 L Gebinde <i>cooling liquid 1L canister</i>	000.043.301.03		
4. Getriebeöl Mobilube 1 SHC 75W 90 <i>gearbox oil</i>	R 999.917.062.00		
5. Bremsflüssigkeit <i>brake fluid</i>	R 996.355.960.90		
6. Fett HT1LF <i>grease HT1LF</i>	000.043.110.01		
7. Fett für Simmerringe 50g Tube <i>grease for shaft sealing ring 50g</i>	R 999.917.779.00		
8. Fluorfett 100g <i>Fluor-grease</i>	R 999.917.726.00		
9. Optimoly <i>Optimoly</i>	000.043.020.00		
10. Achswellenfett 100g Tube <i>grease for driveshaft 100g</i>	R 996.332.897.9A		
11. <i>Höchstdruckfett</i> <i>EP grease</i>	000.043.024.00		
12. Drei Bond Silicone 1209 <i>sealing compound</i>	R 999.915.557.40		

Lufthebeanlage / airjack system



Pos.	Bezeichnung / Description	St./Pc	Teile Nr./Part no.
1	Hubzylinder hinten <i>lifting cylinder rear</i>	R 2	997.583.111.90
o.B.	Kontermutter Hubzylinder hinten <i>counternut for lifting cyl. rear</i>	R 2	997.583.517.90
2	Leitung hinten links incl. T-Stück <i>line rear left incl. T-connector</i>	R 1	997.583.205.90
3	Leitung hinten rechts <i>line rear right</i>	R 1	997.583.207.90
4	Leitung <i>line</i>	R 1	997.583.201.91
5	Halter für Luftlanze <i>support for air inlet pipe</i>	R 1	997.504.273.91
6	6KT-SHR M6X12 <i>hex screw M8X12</i>	2	900.378.036.09
7	BL-MU M6 <i>plate nut M6</i>	2	999.507.766.02
8	6KT-SHR M8X16 <i>hex screw M8X16</i>	1	900.378.074.09
9	Hauptventil <i>main valve</i>	R 1	997.583.103.00
10	O-Ring 30X2 <i>o-ring 30X2</i>	R 1	999.707.164.40
11	T-Stück <i>T-connector</i>	R 1	997.583.595.90
12	Luftleitung vorne <i>air line front</i>	R 1	997.583.203.90
13	Hubzylinder vorne <i>lifting cylinder front</i>	R 1	997.583.113.90
o.B.	Kontermutter Hubzylinder vorne <i>counternut for lifting cyl. front</i>	R 1	997.583.515.90
14	Hohlschraube M14X1,5X31 <i>hollow screw M14X1,5X31</i>	R 1	999.215.034.30
15	Ringstück 3/8-24 UNF <i>ring connector 3/8-24 UNF</i>	R 1	999.215.028.30
16	Dichtring für Hohlschraube <i>sealing ring for hollow screw</i>	R 2	997.583.891.90
17	Luftlanze <i>air inlet pipe</i>	R 1	997.583.101.00
o.B.	Tülle 3,0x34,5X1,5 <i>rubber grommet</i>	1	927.631.224.01
o.B.	Tülle 14,05X45,0X1,0 <i>protective sleeve</i>	1	999.702.216.42
o.B.	Lochband 8X30 <i>fixing strap 8X30</i>	n.B.	999.513.049.40
o.B.	Kabelbinder <i>tie wrap</i>	n.B.	999.513.058.40

Schutzvermerk nach DIN 34 beachten
Copyright reserved
Dr. Ing. h. c. F. Porsche
Aktiengesellschaft

Wasserbefüll und -entlüftungseinheit / waterflush unit



Bezeichnung / Description

Teile Nr./Part no.

Kühlwasserbefüll- und entlüftungseinheit 230V
Waterflush unit without accessories 230V

Sobek-Nr. Z-B 1000 3000

Kühlwasserbefüll- und entlüftungseinheit 12V
Waterflush unit without accessories 12V

Sobek-Nr. Z-B 1000 3004

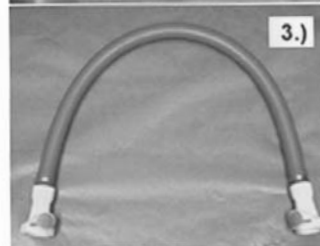
Kühlwasserbefüll- und entlüftungseinheit 115V
Waterflush unit without accessories 115V

Sobek-Nr. Z-B 1000 3006



Schlauchgarnitur mit Mischer und Kugelventil
Hose assembly with mixer and QDV-valve

Sobek-Nr. Z-B 1000 3002



Verbindungsschlauch mit Ventil
Connector hose with QDV-valve

Sobek-Nr. Z-B 1000 3011

**Diese Teile sind zu beziehen über:
*These parts are just available at:***

Bernd Sobek-Mattern

Fliederstr.10
69517 Gornheimertal

Tel: 0049-6201-205152
Fax: 0049-6201-21834

e-mail: hydrosob@aol.com