

**Technische Information***Technical Information***06/2014****911 GT3 Cup (991)****IPS Hardware Austausch***IPS Hardware Change*

**Fahrzeug / Vehicle:** **911 GT3 Cup (991)**  
**Bauteil / Part:** **IPS / IPS**  
**Modell / Model:** **ab 2013 / from 2013**

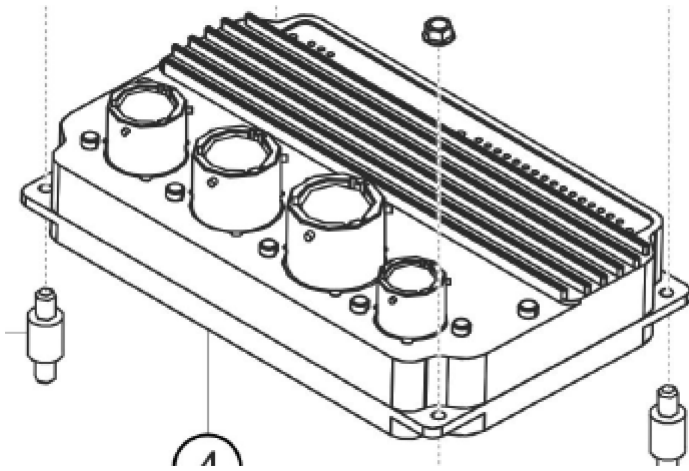
Porsche Motorsport weist darauf hin, dass alle noch im Umlauf befindlichen Bordnetzsteuergeräte 991.641.629.8A auf den neuesten Stand der Hardware umgearbeitet werden müssen.

**1. Teileliste**

<b>Pos</b>	<b>Sachnummer</b>	<b>Bezeichnung</b>	<b>Anzahl pro Fahrzeug</b>
1	991.641.629.8B	Bordnetzsteuergerät	1

# PORSCHE

## MOTORSPORT



Bitte füllen Sie dafür das Service Formular der Firma Cosworth unter der genannten Adresse aus und nennen dabei wie im Bild gezeigt Details zu Fahrzeug und Gerät.  
<http://www.cosworth.com/contact/customer-support/customer-return-form/>

Cosworth wird Sie daraufhin kontaktieren und nähere Informationen zum Ablauf des Austausches geben. Bitte rechnen Sie mit ca. 15 Arbeitstagen bevor Sie ihr Gerät umgearbeitet zurück erhalten.

Porsche Motorsport

Mai 2015

## Customer Return Form

Please complete the form thoroughly to prevent any delays

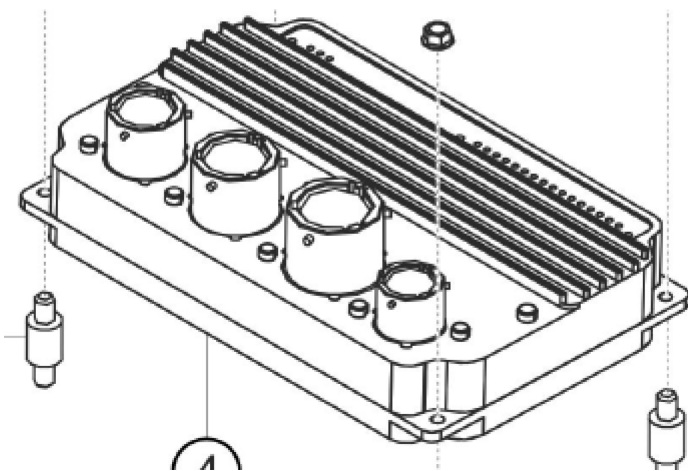
Fields marked with an asterisk \* are required.

Company Name	<input type="text" value="Racing Team ABC"/>
Contact Name*	<input type="text" value="Matthias Mustermann"/>
Address*	<input type="text" value="Street 911&lt;br/&gt;12345 City&lt;br/&gt;Country"/>
VAT Number	<input type="text"/>
Delivery Address (if different)	<input type="text"/>
Tel*	<input type="text" value="+4912345678910"/>
Email*	<input type="text" value="mustermann@racingabc.com"/>
Purchase Order No.	<input type="text"/>
Product 1 details*	<input type="text" value="IPS 8A to 8B Exchange&lt;br/&gt;Serial Number: 3333&lt;br/&gt;Porsche 911 GT3 Cup / GT America&lt;br/&gt;VIN WPOZZZ99ZDS198888&lt;br/&gt;Quantity"/>
Product 2 details	<input type="text" value="Include part number, description, quantity and serial number"/>
Product 3 details	<input type="text" value="Include part number, description, quantity and serial number"/>
Product 4 details	<input type="text" value="Include part number, description, quantity and serial number"/>
Fault Details	<input type="checkbox"/> No Comms <input type="checkbox"/> Refurbishment <input checked="" type="checkbox"/> Damage <input type="checkbox"/> Intermittent Function
Fault Description*	<input type="text" value="IPS 8A for exchange in 8B as by recommendation&lt;br/&gt;by Porsche Motorsport"/>
Required return date	<input type="text" value="2015-May-28th"/>

Porsche Motorsport points out, that all IPS units 991.641.629.8A must be reworked with the latest version updates.

## 1. Parts list

Pos	Part No.	Name	Pcs. per car
1	991.641.629.8B	IPS control unit electric system	1



Please fill out the customer return form which you can find at the link indicated. Please provide all information as shown in the picture. <http://www.cosworth.com/contact/customer-support/customer-return-form/>

Cosworth will then contact you providing more details regarding the exchange of your hardware. For the getting your device back updated, please calculate about 15 working days.

## Customer Return Form

Please complete the form thoroughly to prevent any delays

Fields marked with an asterisk \* are required.

Company Name	<input type="text" value="Racing Team ABC"/>
Contact Name*	<input type="text" value="Matthias Mustermann"/>
Address*	<input type="text" value="Street 911&lt;br/&gt;12345 City&lt;br/&gt;Country"/>
VAT Number	<input type="text"/>
Delivery Address (if different)	<input type="text"/>
Tel*	<input type="text" value="+4912345678910"/>
Email*	<input type="text" value="mustermann@racingabc.com"/>
Purchase Order No.	<input type="text"/>
Product 1 details*	<input type="text" value="IPS 8A to 8B Exchange&lt;br/&gt;Serial Number: 3333&lt;br/&gt;Porsche 911 GT3 Cup / GT America&lt;br/&gt;VIN WPOZZZ99ZDS198888&lt;br/&gt;Quantity"/>
Product 2 details	<input type="text" value="Include part number, description, quantity and serial number"/>
Product 3 details	<input type="text" value="Include part number, description, quantity and serial number"/>
Product 4 details	<input type="text" value="Include part number, description, quantity and serial number"/>
Fault Details	<input type="checkbox"/> No Comms <input type="checkbox"/> Refurbishment <input checked="" type="checkbox"/> Damage <input type="checkbox"/> Intermittent Function
Fault Description*	<input type="text" value="IPS 8A for exchange in 8B as by recommendation by Porsche Motorsport"/>
Required return date	<input type="text" value="2015-May-28th"/>